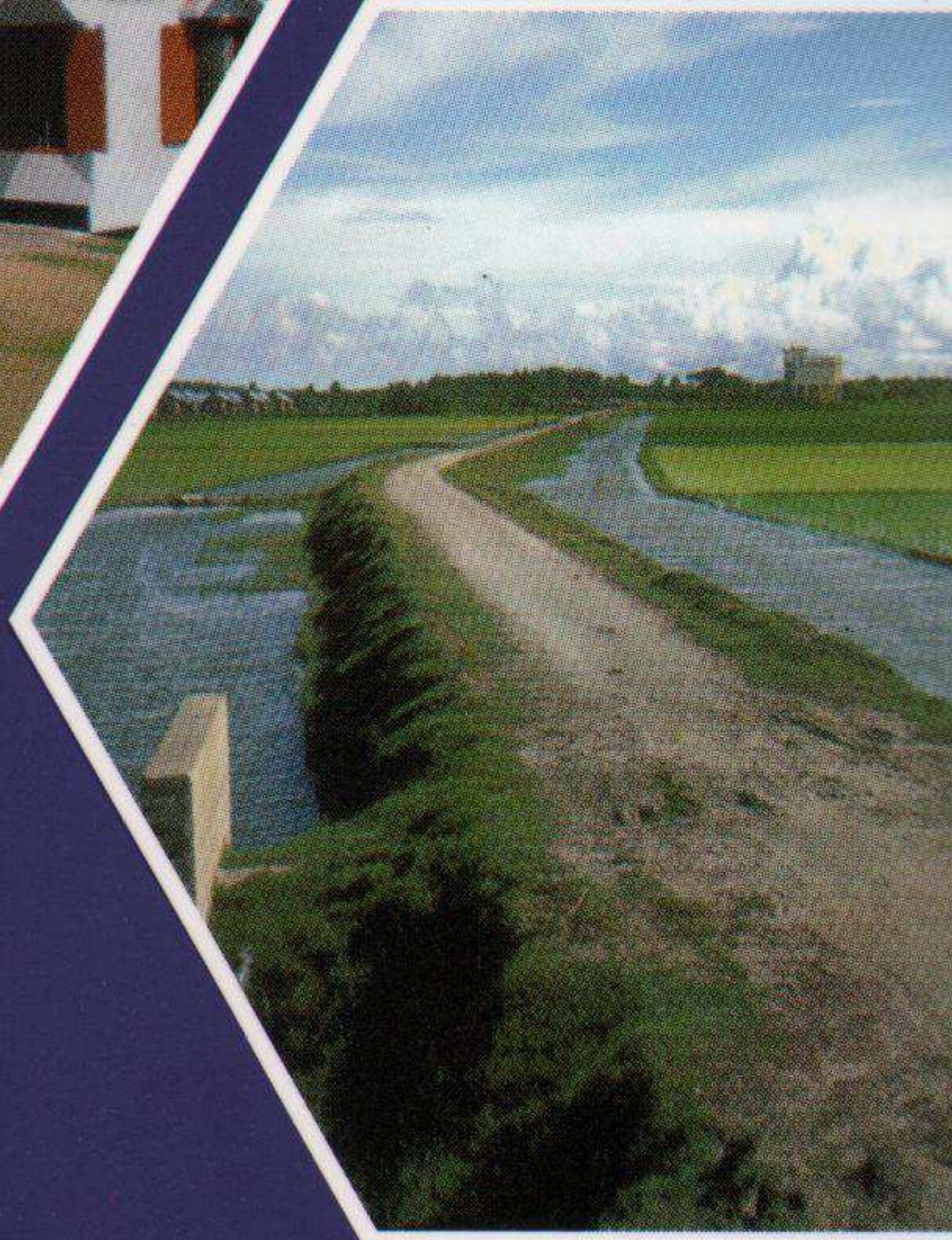
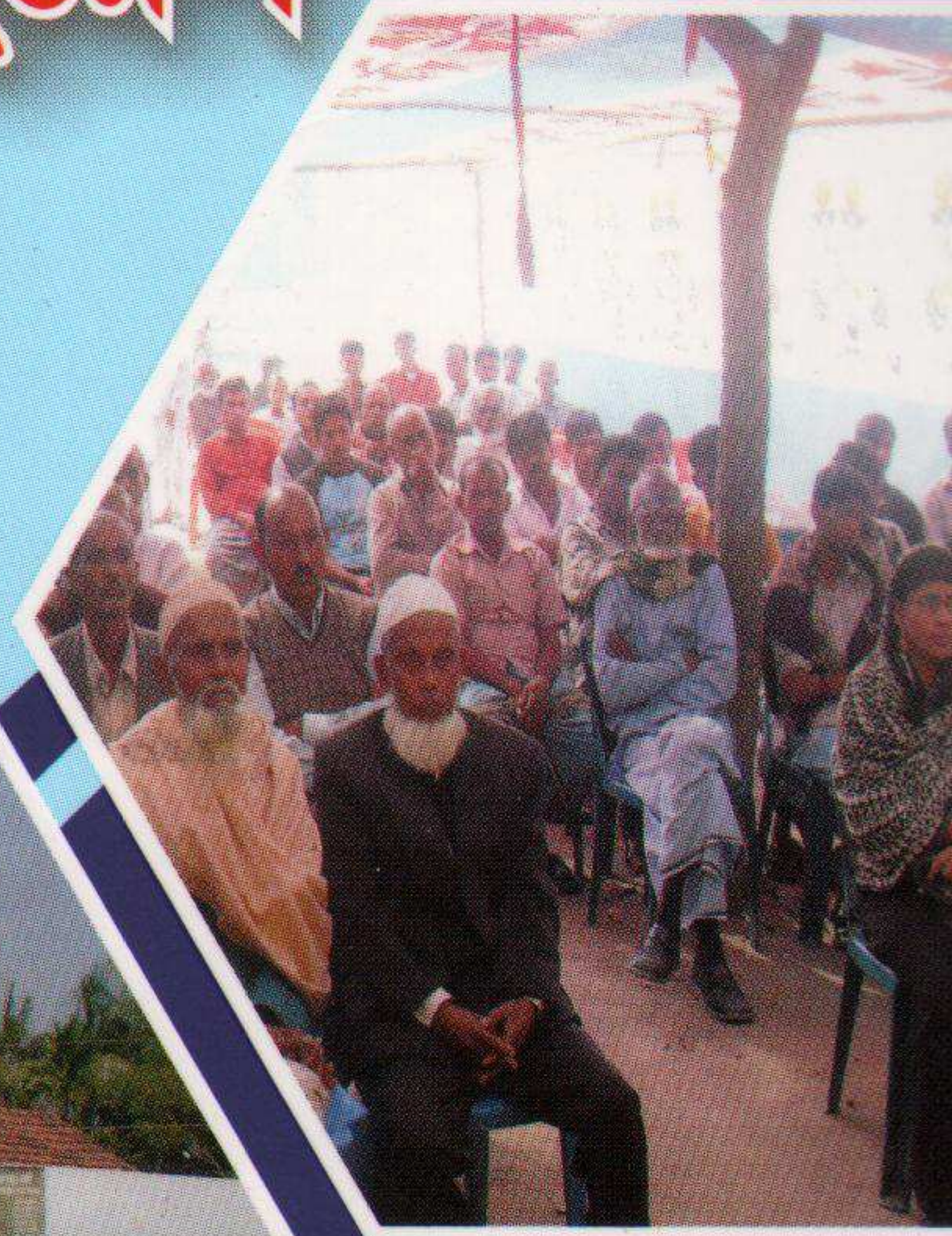
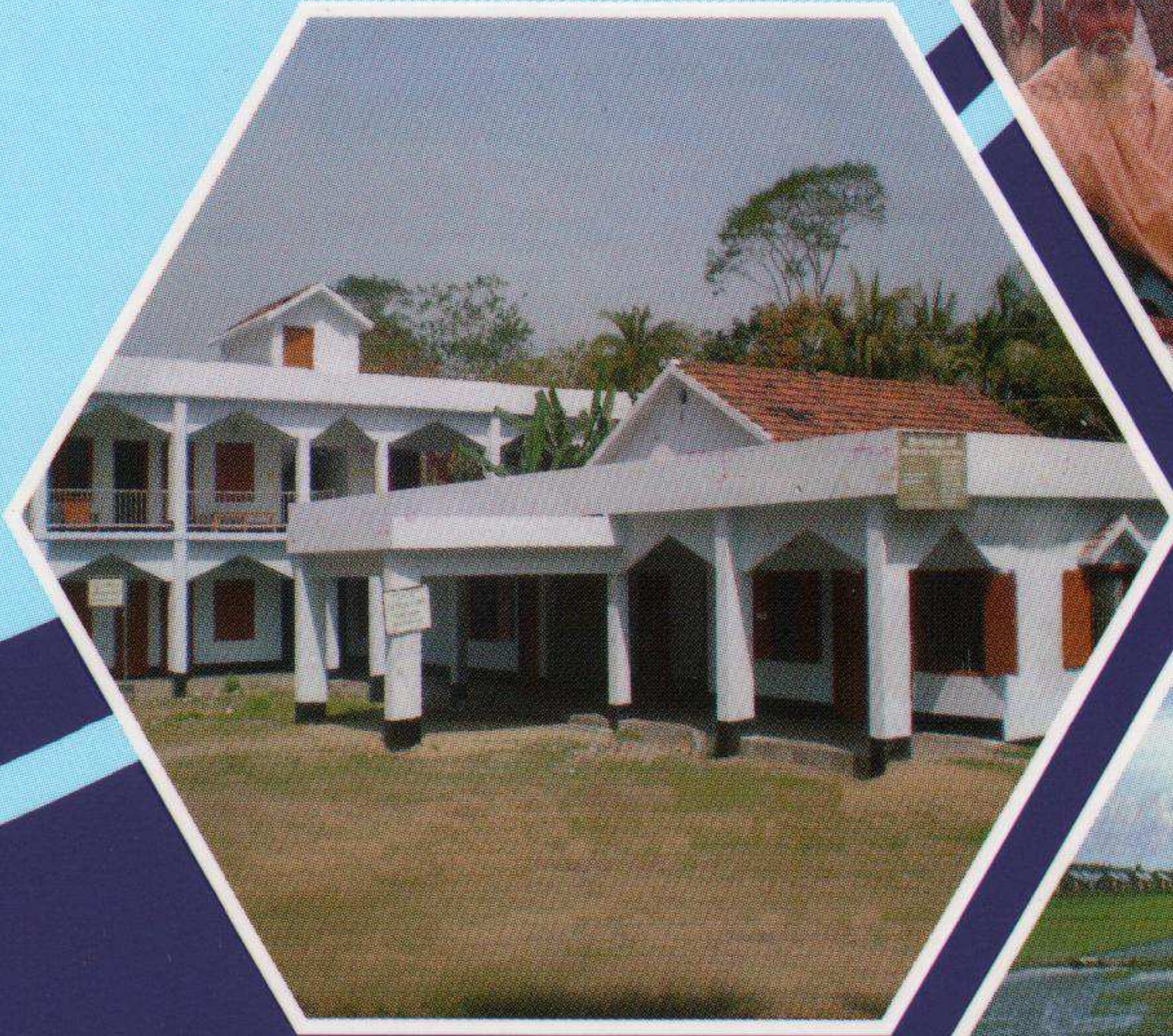




ইউনিয়ন পরিষদ অপারেশনাল ম্যানুয়েল



স্থানীয় সরকার বিভাগ

স্থানীয় সরকার, পল্লী উন্নয়ন ও সমবায় মন্ত্রণালয়

গণপ্রজাতন্ত্রী বাংলাদেশ সরকার

BDwbqb cwi I` Acvfi kbvj g'vbfqj

~vbxq mi Kvi wefvM
~vbxq mi Kvi, cj ~~Dbqb~~ I mgevq gšYvj q
MYcRvZŠx evsj vř` k mi Kvi

BDwqb cwi I` Acvfi kbvj g'vbtqj

~Zj :
~vbxq mi Kvi wefvM

msKj b :
AveyZvtni gnvaf` Rvtei
wmbqi mnKvi x miPe, ~vbxq mi Kvi wefvM |

muv`bv:
kvxgv bwmfi, hM-miPe, ~vbxq mi Kvi wefvM |
GKi vgj nK, cwi Pvj K (cKqY), RvZxq ~vbxq mi Kvi Bbw=UUDU
tgv: Awgbj Bmj vg, wmbqi cvej K dvBb'vY t'ukvij ÷, Gj wRGmic:2
AwRZ Kgvi cvj, wmbqi tj vKvj Mfb'gU AwWU t'ukvij ÷, Gj wRGmic:2

mweR ZEjeavb :
tK Gg tgvRvafsj nK
AwZwi³ miPe, ~vbxq mi Kvi wefvM

cKvkKvj :
AvM ÷ 2012

mnvqZv :
wZxq tj vKvj Mfb'vY mfvUcOR± (Gj wRGmic:2)
~vbxq mi Kvi wefvM |

KuvDUvi Kt'uvR :
Gg. G. i'ng, KuvDUvi Acvfi Ui, ~vbxq mi Kvi wefvM |

gy'Y :
Ktj R tMBU evBwUs GU wCUs
1/7, Ktj R tMBU, tgvnaf` cj, XvKv-1207 |
tdvb t 9122979, 01711311366

ISBN : 978-984-33-5560-7

gjeÜ

mvsweawbK A½xKvi Abjvqx miKvi c¼vmþbi mKj ch¼q ubePZ c¼Zwbwaþ`i
¶lgZvqb Ges Dbqab c¼vmþb KvhrKi AskMhY wbwðZ Kivi jþ¶¶ wbi j m c¼Pón
Pwvj tq hvþ"Q| GiB avivewinKZvq c¼PxbZg `vbxq miKvi c¼Zövb wntmte
BDwbqb cwil`þK kw³kvj x l KvhrKi tmergj K c¼Zövtb ifcvšþi c`þ¶c
tbl qv ntqþQ| `vbxq miKvi wfvM gþb Kþi G Rb` i ay`wqZi; c¼vbB ht_ó bq
eis `wqZi; cvj þbi Rb` ch¼ß ¶lgZv l Aw_ R `faxbZv c¼vb, m¶lgZv ewx Ges
`vbxq ch¼q cwi Kíbv c¼qab l Zv ev`evqþbi mKj ch¼q RbAskMhY wbwðZ
Kiv Avek`K| G jþ¶¶ `vbxq miKvi wfvM Rj vB 2006 ntZ Rþ 2011 chS-
ðtj vKvj Mfb¶Y mvþcvU©c¼R± (Gj wRGmwc)ó mdj fvtte ev`evqab KþiþQ| G
c¼Kþi i mvdj` tUKmB l c¼wZövbKxKiþYi jþ¶¶ `vbxq miKvi wfvM, miKvi
l wekþvstþKi thS_ A_¶qþb c¼q 3900.00 tKwU UvKv e`tq c¼P eQi tgqv`
ðwðZxq tj vKvj Mfb¶Y mvþcvU©c¼R± (Gj wRGmwc:2)ó ev`evqþbi KvR nvþZ
wbþqþQ hv Rj vB 2011 tZ`i` ntq Rþ 2016 tZ þkl nte| G c¼Kí ntZ
BDwbqb cwil`mgþni e`vsK wnmvte mi vmwi t_vK eivl` `vbsþi Kiv ntq `vtK,
hv w`tq `vbxq RbMþYi mi vmwi AskMhþYi gva`tg Zvt`i AMhwaKvi Abjvqx
Dbqab c¼Kí MhY, ev`evqab l Z`vi wKi e`e`v iþqþQ|

bvix-Dbqab l bvixi ¶lgZvqb wbwðZKiþYi jþ¶¶ G c¼Kþi i Avl Zvq BDwbqb
cwilþ`i AbKþj th eivl` `vbsþi Kiv ntq"Q Zvi 30% A_©gwnj vt`i ðviv
AMhwaKvi c¼ß w`g ev`evqþb e`q KiþZ nte| c¼ZwU BDwbqb cwilþ`i AšZ
wZbwU lqvW©BDwbqb cwilþ`i gwnjv m`m`þ`i lqvW©KwguUdi mfvcwZ ivLv
eva`Zvgj K Kiv ntqþQ|

Gj wRGmwc:2-G BDwbqb cwilþ`i cwi Kíbv c¼qab, `vbxq RbMþYi AskMhþY
w`g MhY, ev`evqab Ges gvVch¼q c¼Zte`b `Zwi i þKškj BZ`w` w el q_þjv
mnRZi Kivi mþ½ mþ½ t_vK eivl`i cwi gwYl ewx Kiþe| evsj vt`k miKvi
`pfvte weklm Kþi th, m`úþ`i G µgewaZ we`þi Ges mvgwRK ch¼¶¶Y
kw³kvj x Kivi c¼µqv c¼Kþi i jvMmB cwilþ`i cwi Kíbv c¼qab Ges ev`evqab mnRZi
Kiþe| GKB mþ½ w`g ev`evqþb e`q l mgq Kwgtq BDwcmgþni `wqZi l
mþPZbv ewx Kiþe|

gvWchq G cKtí i Kvhg mPvi "iſc ev⁻evqb Ges mn†R BDwbqb cwi l† i
mvaviY Kvhewj m^uv`b Kivi Rb` G Acvtikbvj g^vvtqj c^vqb Kiv n†qtQ|
GB Acvtikbvj g^vvtqj c^xuZMZ Kivvtgvi Z⁻ mseij Z hv BDwcmg†K
tgšvj K t^vK eivl Znvej e^e-vcbv Ges ms^wk^e Kvhewj i m†½ m^uK^h
^`b^w`b KvR cwi Pj bvq mnvqZv Ki†e| G w†`KkvZ w⁻gmgn wbePb,
Ab†gv`b, ev⁻evqb, AeKivvtgMZ Dbqb Ges ZÉyeat†bi cikvcwk tmev l
gvj vgvj µqmsµvš-welqvej i ††† BDwcmg†ni Aek` cvj bxq welqmg†ni
wek` eY^v† lqv n†qtQ| G Acvtikbvj g^vvtqj i tKv†bv weeiY/ ktāi A^o,
Abev` A⁻ev e^vL^v, fveMZ cKvk A⁻ev tKv†bv kZ^owtq we†iv†ai DrcwÉ n†j
tm†††[†] vbxq mi Kvi, cj⁻Dbqb l mgevq gšYvj†qi vbxq mi Kvi wefvMi
wm^xvšB Povš-†j we†ePZ n†e| vbxq mi Kvi wefvM mgq mgq G w†`Kkvi
c^oqvRbxq cwi ea^o A⁻ev ms⁻vi Ki†Z cvi†e| D†j ⁻D³ cwi ea^o A⁻ev
ms⁻vi mgn†j vKvj Mfb^oY m†cvU^oc†R±:2-Gi Dbqb mn†hvMxi m†½ Av†j vPbv
Ges g%ZK` m†c†† KvhKi n†e|

AvejAvj g tgv: kin` Lvb
miPe
vbxq mi Kvi wefvM

mWPCĪ

μwgK bs	wel q	cōv
	fīgKv	13
1.	BDwbqb cwi l̄ i m̄vavi Y Kvhe×wZ I Kvheij	15
1.1	BDwbqb, I qvW ^q BDwbqb cwi l̄ MVb	15
1.1.1	BDwbqb cwi l̄ MVb	15
1.1.2	BDwbqb I I qvW ^q MVb	15
1.2	BDwbqb cwi l̄ i tPqvi g'vb I m`m̄ i m̄ú ^t K ^q leavbeij	15
1.2.1	BDwbqb cwi l̄ i tPqvi g'vb I m`m̄M̄Yi kc_ ev tNvl Yv	15
1.2.2	cwi l̄ i tPqvi g'vb I m`m̄M̄Yi Kvheij	15
1.3	I qvW ^q mfv	16
1.3.1	I qvW ^q ch ^q Db ³ mfv	16
1.3.2	I qvW ^q mfv i q̄gZv I Kg ^e wi wa	16
1.3.3	I qvW ^q mfv i `wqZi	18
1.4	BDwbqb cwi l̄ i mfv, q̄gZv Ges Kvheij	19
1.4.1	cwi l̄ i mfv I Zj we mfv	19
1.4.2	`vqx KwguU MVb I Gi Kvheij	20
1.4.3	cwi l̄ i wbe ^h x q̄gZv	21
1.4.4	cwi l̄ i Kvheij	22
1.4.5	tPqvi g'vb c'v ^t bj	23
1.5	BDwbqb cwi l̄ i c ^{ij} k I Mōg cāZi q̄v wel qK Kvheij	23
1.6	BDwbqb cwi l̄ i cāZ mi Kv ^t i i Ab'vb" Kg ^R Z ^h `wqZi	23
1.6.1	mi Kv ^t i i `wqZi	23
1.6.2	`vbxq ch ^q q mi Kw ⁱ Kg ^R Z ^h M̄Yi BDwbqb cwi l̄ i wel t ^q `wqZi	24
1.7	BDwbqb cwi l̄ KZ ^R mgš ^q	25
2.	cwi l̄ i Aw ^l _R e'e`vcbv, m̄úw ^E I Znvej	29
2.1	Aw ^l _R e'e`vcbv	29
2.1.1	cwi l̄ i m̄úw ^E AR ^h , `L ^t j i vLvi I w ^b úw ^E Kivi q̄gZv	29
2.1.2	cwi l̄ i m̄ú` n`vš ^t	30
2.1.3	cwi l̄ i Znvej	30
2.1.4	cwi l̄ i e`q	30
2.1.5	cwi l̄ i Znvej msi q̄Y ev w ^e b ^t q ^m Ges w ^e t ^k l Znvej MVb	31
2.1.6	`vqhy ³ e`q	31

2.1.7	wnmve	31
2.1.8	wnmvei ¶Y c×wZ	32
2.2	m×ú` e`e`vcbv c×wZ	32
2.2.1	msÁv	32
2.2.2	`vei m×úwÉ e`e`vcbv	33
2.2.3	mbv³ Ki Y msL`v	33
2.2.4	m×ú` ti wR ÷ ti	33
2.2.5	`wj j -cÍ w` msi ¶Y	34
2.2.6	`vqx m×úwÉ wewj eþ` R Ki v	34
2.2.7	`vqx m×úwÉ cZ` ¶ cwi` kØ	34
2.3	ivR`^Avni Y	35
2.3.1	BDwbqb cwi I þ` i wbR`^Drm t_þK ivR`^	35
2.3.2	BDwbqb cwi I þ` i `wqZj I KZ®	35
3.	cwi Kí bv, evþRU I AwWU	36
3.1	cwi Kí bv	36
3.1.1	cwi Kí bvi bxiZmgñ	36
3.1.2	cwi Kí bv KugwU	37
3.1.3	gZwewbgq I AMÓwaKvi wbi fcY	38
3.2	evþRU (`vbxq mi Kvi (BDwC) AvBb 2009 Gi aviv-57)	41
3.2.1	evþRU cVqb	41
3.2.2	Dbþ³ evþRU mfv	42
3.2.3	evþRU cVqtb ` i "ZcY®eteP" wcl qmgñ	43
3.2.4	BDwbqb cwi I ` KZ® evþRU Abþgv` b	43
3.2.5	evþRU ev`evqb I gubUwi s	43
3.2.6	I qW®mfvq Pwn` wfvÉK w` þgi Zwj Kv `Zwi I AMÓwaKvi Ki Y	45
3.3	AwWU	46
3.3.1	AwWUi MþYi ¶gZv	46
3.3.2	AwWU AvciÉ wb®úwÉ	47
3.3.3	wbi x¶K wbþqvM	47
3.3.4	Gj wCmwc:2-Gi AvI Zvq AwWU	48
3.3.5	AwWU gZvgtZi wei "þx Avwcj c×wZ	48
4.	µq	49
4.1	µq m×úwKZ tgšij K avi Yv	49
4.1.1	µq e`e`vcbvi fwgKv	49
4.1.2	µq e`e`vcbv ej þZ Kx eSvq	49
4.1.3	µq e`e`vcbv msµvš-cØqvRbxq msÁvmgñ	50
4.1.4	µq m×úwKZ AvPi Y	50

4.2	Gj wRGmuc:2-Gi Avl Zvq MhYthvM' μq	51
4.2.1	μq msμvš-KwguW	51
4.2.2	KwguW MVtbi bxwZgvj v I „i“ZcY©ewkó”	52
4.2.3	BDwqb chf̄q μq I mSMh msμvš-wel t̄q wbt̄gic KwguWmḡni Kvhewi wa	53
4.3	tj vKvj MfbqY mvtcvU©Rt̄±i Avl Zvq μq c×wZ	54
4.3.1	μq c×wZ ej t̄Z wK tevSwq	54
4.3.2	Gj wRGmuc:2-Gi μq-c×wZ	55
4.3.2.1	mi vmi μq c×wZ	55
4.3.2.1.1	mi vmi `icĀ c̄μqvi t̄dv-PvU'	56
4.3.2.2	KwguWw μq c×wZ	56
4.3.2.3.1	RFQ c×wZ: wi t̄Kvt̄q ÷ di t̄Kvt̄Ukb A_® Ab̄tivact̄I i gva"tg `i mSMh	59
4.3.2.3.2	Avi GduKD c×wZt̄Z `icĀ MhY I t̄Lvj v	63
4.3.2.3.3	Avi GduKD c×wZt̄Z `icĀ mḡni gj "vqb	68
4.3.2.3.4	wj cwi t̄kvt̄ai Zdmj	68
4.3.3	DbY³ `icĀ c×wZ	68
4.3.3.1	DbY³ `icĀ c̄μqvi t̄q̄t̄ wbt̄Pi wel q̄,tj v Ab̄mi Y Kit̄Z nte	69
4.3.3.2	DbY³ `icĀ c×wZi t̄q̄t̄ `icĀ c̄Pvi ev c̄Kvt̄ki Rb" Ab̄mi Yxq c×wZ	69
4.3.3.3	DbY³ `icĀ `wj cĀZ I PevŠKi Y	70
4.4	μq m̄úwKZ wi t̄cvU©c̄Kvk, Awf̄thvM w̄úwĒ, T̄wUcYμq wbixq̄lv	78
4.4.1	μq I w̄g ev̄ evqb msμvš-cĀZte`b	78
4.4.2	μqm̄úwKZ Awf̄thvM I w̄úwĒKi Y	80
4.4.3	t̄q̄lvf c̄Kvk	80
4.4.4	Awf̄thvM c̄μqvi BDuc Ges wewRimw-i `wqZi	80
4.4.5	μqc̄μqvi wbixq̄lv	81
4.4.6	wk̄p̄vsK KZR̄ μt̄qvĒi AwWU	81
4.4.7	μqmsw̄k̄-wel t̄q Ki Yxq I wbt̄lavĀv	82
5.	Z_ c̄Kvk	85
5.1	wm̄w̄t̄Rb PvU® c̄Kvk	85
5.2	m̄k̄vmt̄bi Rb" AvaybK ch̄y³ i e"envi	85
5.3	Dbq̄b Kvh̄p̄g m̄úwKZ Z_ "w̄	86
6.	RbY I gZi wbeÜb, M̄g Av`vj Z Ges Ab`vb" tmevmga	87
6.1.1	RbY I gZi wbeÜb c̄μqv	87
6.1.2	RbY I gZi wbeÜt̄bi „i“Zi	88

6.1.3	RbʔI gZi m ^u wKZ Z ^u c0 vʔbi Rb ^u wqZkxj e ^u eM ^u	89
6.1.4	ʔi wRʔ ÷ kb c0 uqv Ges mb ^u c0 vb	89
6.1.5	RvZxqZv Ges Pwi wI K mb ^u cI	89
6.2	wepwi K I AvBib ʔmev	90
6.2.1	M0g Av ^u vj ʔZi DʔI k ^u	90
6.2.2	M0g Av ^u vj Z MVʔbi Avʔe ^u b	91
6.2.3	Avʔe ^u ʔbi wdm	91
6.2.4	bvKP Avʔe ^u b bv-gAʔi i Avʔ kmn Avʔe ^u bKviʔK tdiZ c0 vb	91
6.2.5	Avʔe ^u b bv-gAʔi i Avʔ ʔki wei ^u ʔx wi wfk b/Avicj	91
6.2.6	Avʔe ^u ʔb Kx Kx Z ^u vKʔZ nʔe?	91
6.2.7	Avʔe ^u bcI cvevi ci ʔPqvi g ^u vb Kx Ki ʔeb?	91
6.2.8	c0Zev ^u x ^u we ev weev ^u ʔKvi Ki ʔj M0g-Av ^u vj Z MVb Kiv nʔe bv	92
6.2.9	Kx Kx Kvi ʔY Avʔe ^u b bvKP Kiv hvʔe?	92
6.2.10	M0g-Av ^u vj ʔZi GLwZqvi , BZ ^u w ^u	92
6.2.11	M0g Av ^u vj ʔZi ʔI gZv	92
7.	c0Zʔe ^u b	95
7.1	BDubqb cwi I ^u I vb ^u wmk gubUwi s wi ʔcvU ^u Gj wRGmic	96
7.2	M0g-Av ^u vj ʔZi I vb ^u wmk c0Zʔe ^u b	105
8.	Gj wRGmic i cUfug DʔI k ^u I Kvh ^u g	109
8.1	Gj wRGmic:2-Gi AvI Zvq BDubqb cwi I ʔ i Rb ^u Ab ^u vbmga	111
8.1.1	ʔg ^u ʔj K ʔ ^u vK eivI (BBG) wba ^u ʔY I weZiY	111
8.1.2	ʔg ^u ʔj K ʔ ^u vK eivI w ^u ʔg c0 ʔki Rb ^u c0 ^u wqK thvM ^u Zv wba ^u ʔYi gvcKwV	112
8.1.3	ʔ ^u ʔZv w ^u ʔEK Ab ^u vb (PBG) wba ^u ʔY I weZiY	112
8.1.4	ʔ ^u vK eivI wej ʔ ^u wMZ nevi KviY	113
8.1.5	Gj wRGmic:2-Gi A ^u ʔv i v ʔhme w ^u g M0Y Kiv hvʔe	114
8.1.6	Gj wRGmic:2-Gi A ^u ʔhme ʔ ^u ʔI ʔ e ^u q Kiv hvʔe bv	114
8.2	Gj wRGmic:2-Gi c0wZ0wbK Kiv ^u ʔgv Ges ev ^u evqb e ^u e ^u v	115
8.2.1	RvZxq chʔq : ʔR ^u ± w ^u qwi s KugulJ (wGmim)	115
8.2.2	ʔRj v chʔq : ʔRj v mgšq KugulJ (wMim)	115
8.2.3	DcʔRj v chʔq : eK M0U ʔKv-Aw ^u ʔk b KugulJ (wevRimim)	116
8.2.4	I qw ^u KugulJ (WwB-im)	117
8.2.5	w ^u g m ^u cvi wfk b KugulJi (GmGmim) MVb I Kvh ^u ʔej	119
8.3	w ^u g ev ^u evqb m ^u p ^u v ^u š ^u ʔi KW ^u msi ʔY	121

8.4	AvciĒ ev AvfthvM wb®úwĒ e'e'v	122
8.5	cĀZte`b cĀ'Z I bw_fy³KiY	124
8.6	w'g evQvB, ev'evqb, ZĒyeavb I cwi exŕŕY cĀµqv	125
8.7	w'g ev'evqb e'e'vcbv	126
9.	mvgwŕRK I cwi ŕek Dbqb I msi ŕŕY	127
9.1	bvi xi ŕŕgZvqb	127
9.2	cwi ŕek I mvgwŕRK mj ŕŕvi vel qvej	128
10.	cwi wkó : QK	139
10.1	QK : Standard evŕRU di g	139
10.2	QK : bgbv K'vk eB	141
10.3	QK : 5 eQi tgqv`x cwi Kí bv cĀqŕY cĀqvRbxq QK	142
10.4	Gj wRGmŕci `ŕŕZv gj`vqb mPKmgn cwi cĀ	143 144

fwgKv

BDwbqbw cwi l` G Dcgnv`tki c0PxbZg `vbxq mi Kvi c0Z0vb| M0g-tPŠwK` wii AvBb 1870-Gi gva`tg c0Zw0Z BDwbqbw cwi l` i bvg Ges Kvh0ewj mg`tg mg`tg tbZZ; ev ivR%0wZK cUcwi eZ0bi Kvi tY cwi ewZ0 n`qtQ| GK mgq Gi bvg wQj c0Av`tgZ| c0_wgKfivte c0Av`tgZi KvR wQj M0tgi AvBb k;Ljv i 0vi Rb` tPŠwK`vi wbtqvM c0vb Kiv| cuP m`m` wenk0 c0Av`tgZ tRjv g`wRt`÷U KZ0 g`tbvbxZ n`Zb| DcwbtewkK kvmbvg`tj tKej ivR`^Av`vq w`tg Kvh0ewj i i` n`tj l Kvj m`tg BDwbqbw cwi l` AvBbk;Ljv i 0vi, AeKvWv`gv Dbqbw, c0K i ev`evqbw, mi Kwii weifb0eKg0mP mgš0q mvab Ges RbMYtK wKQz tgšw`j K tmev c0vb BZ`w` i m`½ hy0 nq|

`vbxq mi Kvi (BDwbqbw cwi l`) AvBb 2009-G hw` l BDwbqbw cwi l` i A`bK KvR l `wqZ; weaZ Av`Q Z_wc BDwbqbw cwi l` i `b w`b KvR wKfivte m00v` Z nte tm m00tK0e`wii Z wbt` 0Kv m00j Z 0BDwbqbw cwi l` Acv`tkbvj g`vbtqj 0 A`vewa c0KwKZ nqib| 2006 mvtj tjvKvj Mfb0Y mvtcvU`c0R± ev`evqtb mnvqZv Kivi Rb` BDwbqbw cwi l` i Rb` GKwU Acv`tkbvj g`vbtqj c0Z Kiv n`qtQj; hvi g`ta` BDwbqbw cwi l` i cwi K i bv, Avw`0 e`e`vcbv, m`q, Dbqbw, w`tg ev`evqbw Ges w`tcwU0 BZ`w` w`lq m00tK0 K wbt` Rbv wQj | Gi B t00t0Z `vbxq mi Kvi w`fVM w`xvš-wbtq`Q th, BDwbqbw cwi l` i Rb` GKwU mvaviY Acv`tkbvj g`vbtqj `Zwi Kiv nte hv BDwbqbw cwi l` tK AvBb c0E Kvh0ewj Z_v cwi K i bv, Avw`0 e`e`vcbv, m`q, Z` c0vb, tmev c0vb BZ`w` m00v`tb mnvqZv Ki te Ges Zv` i c0kvmwbK w`lqvewj m00v`tb l Zv` i `wqZ; Kg0 fwgKv wba0tY mnvqZv Ki te|

G Acv`tkbvj g`vbtqj BDwbqbw cwi l` i `b w`b Kvh0ewj m00v`tbi m`½ hy0 w`lqvewj i Dci w`tkl bRi t`te| `vbxq mi Kvi (BDwbqbw cwi l`) AvBb 2009, MYm`q AvBb 2006 Ges `vbxq mi Kvi w`fVM t`tK Rwi KZ weifb0e wbt` 0Kv, cwi c0, c0Av`cb BZ`w` i Dci w`fE Kti GuU c0qbw Kiv n`qtQ| G Acv`tkbvj g`vbtqj Gj wRGmwc:2 t`ke`vcx ev`evqtb i Rb` c00qvRbxq wbt` Rvewj mgx|

Acv̄tikbvj g'vbtqj Ggb GKwU `wj hv wbcwgZ nvj bvMv` Kivi `we ivtL |
mvgwMkfvte gvW chiq cKí ev`evq̄bi AwfÁZvi wfwÉtZ mgtq mgtq bZb
wKQz mst̄hvRb, we`gvb wKQz cwieZ̄bi c0qvRb ntj Zv Acv̄tikbvj g'vbtqj
Ašf̄ n̄Z cv̄ti | mgvR ev`eZvi wbow̄tL Avgv̄`i fvj hv wKQz AR̄ Zvi
wfwÉtZ we`gvb AvBbKvbtb Ges Acv̄tikbvj g'vbtqj mst̄kvab Kivi m̄hvM
AvtQ Ges _vKte |

†K Gg tgvRv̄t̄sj nK
AwZwi³ mwPe, v̄bxq mi Kvi wfvM
|
RvZxq cKí cwi Pvj K, Gj wRGm̄ic:2

MVtbi Rb" tKvibv mvariY ubePb H cwi l` i Rb" AbjoZ ceZP mvariY ubePbi Zwi L t`K 5 (cuP) ermi cYnl qvi 180 (GKk Awk) w` tbi gta" AbjoZ nte|

1.3. I qWmfv

BDwbqbw cwi l` i cZwU I qWmGKU I qWmfv MVb KiZ nte| cZ`K I qWfP tfvUvi Zwj Kvq AšF e" MtiYi mgstq H I qWfP I qWmfv MWZ nte|

1.3.1. I qWchq DbP mfv

- (1) cZ`K I qWmfv Gi `vbxq mxgvi gta" ermti Kgct` 2 (`B) wU mfv Ki te hvi GKU nte evrmwi K mfv|
- (2) I qWmfvi tKvi v g nte mefgvU tfvUvi msL`vi vek fvtMi GKfM (5%) Øviv| gj Zie mfv i Rb" tKvi v g Avek`K nte bv, hv mvZ w` b ci GKB mgq I `v`b AbjoZ nte|
- (3) BDwbqbw cwi l` I qWmfv Abjvtbi Kgct` mvZw` b c`e`h_vh_fvte mnR I MhYthM` Dcvq MYeAwB Rwi Ki te; gj Zie mfv i t`t`I Abjfc MYeAwB Rwi KiZ nte|
- (4) BDwbqbw cwi l` i tPqiv`vb I qWmfv AbjoZ nl qvi w`l qU wvDZ Ki te b Ges msuké-I qWm` m` mfv cWZ wntmte D` mfv cwi Pvj bv Ki te b|
- (5) msuké-I qWfP msi w`Z Avmtbi g`nj v m` m` I qWmfvi Dct` ov nte b|
- (6) I qWmfvq I qWfP mweR Dbqbw Kvhp`gmn Ab`vb" w`l qmg` chqj vPbv Kiv nte| ewl R mfvq msuké-I qWm` m` weMZ ermti i ewl R cZ`te` b Ges Aw` R mst`k`nn I qWfP Pj gvb mKj Dbqbw Kvhp`g m`u`K`AewZ Ki te b| I qWmfvi tKvibv w`xvš- ev` evqb Kiv m`e bv ntj msuké-I qWm` m` Ges BDwbqbw cwi l` i tPqiv`vb Gi thš`KZv I qWmfvq Dc`vcb Ki te b|

1.3.2. I qWmfvi qgZv I Kg`wi wa

- (1) `vbxq mi Kvi (BDwbqbw cwi l`) AvBb 2009-Gi weavb mvtct` Ges wewa Øviv wbañi Z c`wZtZ I qWmfvi wbgewZ qgZv, Kvheij I Awakvi `vKte:
 - (K) BDwbqbw cwi l` i Dbqbw cwi Kí bv c`vq`bi Rb" c`qvRbxq mKj Z_`w` msMh I web" Ki tY mnvqZv c`vb| G cwi Kí bv c`Aewl R ev ewl R ntZ cvti |
 - (L) I qWchq cKí c`ve c`Z Ges ev` evqbthvM" w`g I Dbqbw Kg`mPi AMñaKvi wbi fcy| G mKj cKí ev w`g Gj vKvi I qWmfvi gva`tg c`weZ I AMñaKvi wbi fcz ntZ nte|
 - (M) wbañi Z wYq`Ki wfiE`Z weifbami Kwii Kg`mP thgb, wfiRW, wfiRGd, eq` fvZv, weaev fvZv BZ`w` DcKvifvMx` i Pevš- AMñaKvi Zwj Kv c`Z I BDwbqbw cwi l` i wKU n`vš`| G Zwj Kv `vbxqfvte I qWmfvq Avtj vPbvi gva`tg Pevš-Kiv ev`Abxq|
 - (N) Dbqbw cKí KvRi fvte ev` evq`bi Rb" `vbxqfvte c`qvRbxq mKj cKvi mnthvMZv c`vb|

- (O) t`^Ovk†gi wfiÉ†Z `vbxq Dbq̄b Kvh̄p̄ig Ges tmevgj K Kvh̄p̄ig ev`evq̄tb Drm̄n c0vb I mnvqZvKiY|
 - (P) iv`vi ewZ, wbivc` cwbi Drm, Rb`ŕ` BDwbU, tmP mjeaw` Ges Ab`vb` RbKj`vYgj K cKÍ `vb ev GjvKv wbaŕ†Yi Rb` cwi I`†K civgk` c0vb|
 - (Q) cwi`vi cwi`Obzv, Rb`ŕ`, cwi tek msi ¶Y, e¶†ivcY, cwi tek `†Y tiva, `xwZmn Ab`vb` mvgwRK AcKtgP wel†q MYm†PZbZv mw0 Kiv|
 - (R) I q†WŦ wewfbœ†k†Y I tckvi t†v†Ki g†a` HK` I m†m†cK`mw0 Kiv, msMvb M†o †Zvj v Ges wewfbœcKvi µxov I m†s`wZK Abp̄vb Av†qvRb Kiv|
 - (S) I q†WŦ wewfbœDbq̄bgj K KgRv†Ei m†½ m†c,³ DcKvi†fvMx t†k†Y ev tMv0†K D0x, Z`vi K I mnvqZv c0vb|
 - (T) mi Kv†i i wewfbœKj`vYgj K KgRv†P†y³ (thgb, eq`fvZv, fZ¶K, BZ`w`) e`w³† i Zwj Kv hvPvB Kiv|
 - (U) I q†WŦ wewfbœGjvKvq ev`evq̄b†hvM` Dbq̄b Kv†Ri c0° j b msµvš-wewfbœ Z`w` msi ¶Y|
 - (V) m†úw` Ze` KvR I tmevmg†ni wewwi Z Z` mieivn|
 - (W) cwi I` KZ¶ I qW`msµvš-wel†q M†xZ w†xvšm†g†ni thšw³KZvmgn AeinZ nI qv|
 - (X) I qW`mfv KZ¶ M†xZ w†xvšm†g†ni ev`evq̄b AMWZ ch¶j vPbv Kiv Ges tKv†bv w†xvš-ev`evq̄b bv nI qvi KviY Ab†mÜvb Kiv|
 - (Y) Rb`ŕ` welqK Kvh̄p̄ig, w†klZ wewfbœcKvi tivM c0Z†iva Ges cwi evi cwi Kí bv Kvh̄p̄ig m†µq m†thwMZv Kiv; m`wbtUkb Kvh̄p̄ig m†½ m†c,³ KgRZPev KgPvi xMY†K eR`Acw††Yi t¶†† t`^Ovk†gi wfiÉ†Z mnvqZv c0vb|
 - (Z) I q†WŦ wewfbœGjvKvq wbivc` cwbi mieivn, iv`v Av†j wKZKiY I Ab`vb` tmev c0v†b †wU wPzwmgn wPw†Z Kiv Ges Zv `†xKi†Yi e`e`v Kiv|
 - (_) I q†WŦ wewfbœ¶v c0Z0†bi AwffveK-wK¶K m†cK`Dbq̄b|
 - (^) thSZK, evj`weevn, eúweevn I GwW w†¶¶†ci g†Zv mvgwRK m†m`v `†xKi†Y mvgwRK Av†`vj b M†o †Zvj v|
 - (a) Rb† I gZi wbeÜb Kvh̄p̄ig m†thwMZv c0vb Kiv|
 - (b) AvZ†KgR†s`vbm̄n Ab`vb` A`wZK KgRv†E Drm̄wZ Kiv|
 - (c) mi Kvi ev cwi I` KZ¶ AwcZ Ab`vb` `wqZj m†cv` b|
- (2) I qW`mfv, m†v†Y ev w†kl m†fvq c0B wewfbœc0Z†e` b ch¶j vPbv Ki†e| wewfbœ Dbq̄b Kvh̄p̄ig ev†RU w†fvRb, Kgewi Kí bv, LvZ wfiÉK A`eivl, c0° j b, m†cw` Z I m†cw` Ze` Kv†Ri g†j v†g†j µq ewe` A`e`q BZ`w` wel†q Db†³ `k0xq `v†b tev†w¶j †L Uw††q RbMY†K AeinZ Ki†Z n†e|

- (3) I qvW^omfvq AwWU wi tcvU^oDc⁻vcb I Avtj vPbv Ki tZ nte Ges G wel tq mfvi gZvgZ I mpcwii k cwi l t i we tePbvi Rb^o t c^oY Ki tZ nte |
- (4) BDwbqb cwi l t i mwPe I qvW^omfvq Dcw⁻Z t t K mfvi Kv h^oeei Yx ^Zwi I MpxZ wmxvS^omg^o ti KW^oKi teb Ges ev⁻eqb AM^oMwZ cieZx^ocwi l^o I I qvW^omfvq Dc⁻vcb Ki teb |
- (5) I qvW^omfv tKv t b m vavi Y ev we t k I Kv h^o m^oub^ockwi evi D t i t k^o GK ev GKwaK Dc-Ku^ou MVb Ki tZ cvi te | Dc-Ku^ou i m^om^o msL^ov 10 (^k) R t b i Awak nte bv Ges Gi g t a^o Kgct^o 3 (wZb) Rb g w j v nte b |
- (6) msL^ov Mwi t o i w f w E t Z I qvW^omfvi wmxvS^o-MpxZ nte, Z te hZ^o t m^oe m vavi Y HK^og t Z i Ges mf vq Dcw⁻Z g w j v t i AskM^ot i Y i w f w E t Z wmxvS^o-M^oh Y Kiv ev A b x q nte |
- (7) I qvW^omfv we A w B Avn Y t b i gva^o t g m^oe^o DcKvi t f v M x t^o i w b K U n t Z c^oB^o i L v^o m g n Z^o s^o-K t i h v P v B ev Q v B t q i R b^o m f v q D c⁻v c b K i t e | m f v q h v P v B ev Q v B t q i c i w b a^o i Z w b Y q t K i w f w E t Z D c K v i t f v M x t^o i P o v s^o-A M^ou a K v i Z w j K v c^oZ Kiv nte Ges Z v c w i l t i A b t g v t b i R b^o t c^oY K i t Z nte | t K v t b v i f c A w b q g c^og w Y Z b v n t j c w i l^o I qvW^omfv K Z R c^oZ K Z I t c^oi Z A M^ou a K v i Z w j K v c w i e Z^o K i t Z c v i t e b v |

1.3.3. I qvW^omfvi^o w q Z i

- (1) I qvW^omfv w b g w j w L Z^o w q Z i c v j b K i t e :
 - (K) I qvW^oP D b a b g j K I R b K j^o Y g t x K v h^o t g i A M^ou Z I A b^ov b^o Z^o w^o m i e i v n;
 - (L) K w l, g r m^o, n u m-g j w M I c i c v j b, ^^o I c w i e v i c w i K i b v, w k^o v, R b^o ^^o, t h v t h v M, h^o D b a b, B Z^o w^o w e l q K D b a b K g R v t E A s k M^oh Y;
 - (M) R b^o g Z i w b e U b m n A Z^o v e k^o K x q A v^o m v g w R K D c v E m s M^oh;
 - (N) e, t i i v c Y I c w i t e k D b a b G e s c w i t e k^o t Y g^o I c w i^o Q b e i v L v;
 - (O) b v i x I w k i w b h^o Z b, b v i x I w k i c v P v i G e s t h S Z K, e j^o w e e v n I G u m W w b t^o c w b t i v a K v h^o g, ^^o b x Z m n A b^ov b^o m v g w R K A c K t g^o w e i^o t x R b m t P Z b Z v m^oo K i v;
 - (P) I qvW^oP A v B b-k; L j v i v m n m v g w R K m^oc^ou Z e R v q i v L v;
 - (Q) R b M Y t K K i, w d, t i B U B Z^o w^o m n w e w f b e a c K v i F Y c w i t k v t a i R b^o D^oh K i v;
 - (R) ^^o v b x q m^oc t^o i m s M^oh I D b a b t b i g v a^o t g c w i l t i m^oc t^o i D b a b t b m n v q Z v K i v;
 - (S) t^o Q v k t g i w f w E t Z D b a b g j K I A b^ov b^o m g v R M v b g j K K g^o P e v⁻ e q t b G e s m s M v b ^ Z w i t Z m n v q Z v;
 - (T) g n v g w i I c^o K u Z K^o t h v^o t g v K v t e j v q R i^o w i w f w E t Z K i Y x w b a^o Y |

wi tcvU^{c0} vb

I qvW^mmfvi Kvh^ewj I `wqZ; m^ctK^cwi I `tK wi tcvU^{c0} vb |

wetkl mfv

I qvW^mmfvi t^qt wetkl wetkl mfv Avn^yv^tbi Rb^o cwi I `tK Ab^tiva Ki tZ cvi t^e |

e^oq Ab^tgv^o b

I qvW^mmfvi Ab^tgv^o b ienxb tKv^tbv e^oq, hvi `wqZ; e^owqZ n^e, Zv Zvi e^ow³MZ `vq w^tmt^e MY^o n^e |

1.4. BD^ovbq cwi I t^o i mfv, ^qIgZv Ges Kvh^ewj

1.4.1. cwi I t^o i mfv I Zj we mfv

- (1) c^oZ^oK cwi I ` , cwi I t^o i Kvh^e t^q c^oZ gv^tm b^obZg GK^oU mfv Ab^ov^tbi e^oe^ov Ki t^e Ges D³ mfv Aw^odm mg^tqi g^ta^o Ab^ooZ n^e |
- (2) cwi I t^o i 50% m^om^o Zj we mfv Avn^yv^tbi Rb^o tPqvi g^ov^tbi w^oKU wj wLZ Ab^tiva Rv^ov^tj wZ^ob 15 (c^tbi) w^o t^obi g^ta^o Ab^toq GK^oU mfv Zwi L I mgq w^oba^oY K^ti mfv Ab^ov^tbi Kg^oct^o 7 (m^ovZ) w^o b c^te^ocwi I t^o i m^om^oMY^tK t^obwUk c^ovb Ki t^e |
- (3) cwi I t^o i tPqvi g^ovb Zj we mfv Avn^yv^tbi Ki tZ e^o_^on^tj c^ov^tbj tPqvi g^ovb (m^ogv^obm^ov^ti) 10 (k) w^o t^obi g^ta^o Ab^toq mfv Avn^yv^tbi K^ti Kg^oct^o 7 (m^ovZ) w^o b c^te^ocwi I t^o i tPqvi g^ovb I m^om^oMY^tK t^obwUk c^ovb Ki t^e | G^oifc mfv cwi I t^o i Kvh^e t^q w^oba^o Z Zwi tL Aw^odm Pj vK^ov^oxb mg^tq Ab^ooZ n^e |
- (4) Zj we mfv cwi Pj bvK^ov^otj D^oct^oRj v w^obe^onx Aw^odmvi KZ^oR w^otq^oMKZ GK^oRb Kg^oRZ^o ch^oe^oq^oK w^omt^e D^ocw^oZ _vK^otZ cvi t^e, w^oh^o G^oifc Zj we mfv cwi Pj bv I mfvq M^opxZ w^om^ov^ot^oš^o w^ol t^q D^oct^oRj v w^obe^onx Aw^odmv^oi i w^oKU GK^oU wj wLZ c^oZ^ot^e b mfv Ab^ov^tbi 7 (m^ovZ) w^o t^obi g^ta^o `wLj Ki t^e |
- (5) tPqvi g^ovb A^o_ev Zwi Ab^ocv^ow^oZ^otZ Zwi `wqZ; cvj bK^ovix e^ow^o3, c^oq^oR^ot^ob, th tKv^tbv mgq cwi I t^o i wetkl mfv Avn^yv^tbi Ki tZ cvi t^e |
- (6) m^om^oM^ot^oYi tgvU m^oL^ovi GK ZZxq^ost^oki D^ocw^ow^oZ^otZ tKvi v^og n^e, Z^ot^e tKvi v^otgi Afv^ot^e tKv^tbv mfv gj Z^ow^o n^tj gj Z^ow^o mfvq tKv^tbv tKvi v^otgi c^oq^oR^ob n^e bv |
- (7) cwi I t^o i mfvq mKj w^om^ov^oš^o-D^ocw^oZ m^om^oM^ot^oYi m^ov^ovi Y m^oL^ov^oM^ovi o^o t^of^ov^oU M^opxZ n^e |
- (8) c^oZ^oK m^o t^om^oi GK^oU K^ti t^of^oU c^ovb^obi ^qIgZv _vK^ot^e Ges t^of^ov^oU mgZvi t^oq^ot^o mfv^ocwZ GK^oU w^oY^oq^oK t^of^oU c^ovb Ki tZ cvi t^e |
- (9) cwi I t^o i mfvq tPqvi g^ovb A^o_ev Zwi Ab^ocv^ow^oZ^otZ AM^ovaK^ov^ot^oi m^ogv^obm^ov^ot^oi tPqvi g^ovb c^ov^ot^obj i m^om^o A^o_ev D^of^ot^oq^o Ab^ocv^ow^oZ^otZ, D^ocw^oZ m^om^oMY KZ^oR w^obe^oPZ tKv^tbv m^om^o mfv^ocwZ^o Ki t^e |
- (10) mi Kvi KZ^oR GZ^o t^oi t^ok^o w^oba^o Z Kg^oRZ^oMY cwi I t^o i Avg^oš^ot^oY cwi I t^o i mfvq thv^oM^o vb Ges mfv Av^otj vP^ovq Ask^oM^oY Ki tZ cvi t^e, Z^ot^e Z^ov^o i t^of^oUw^oaK^ovi _vK^ot^e bv |

- (11) tKvb cŃve msL`vMwi ô tftvU MpxZ ntqtQ ev nq bvB Zv mfvvZ D³ mfvq `có Kti Rwbqtq w`teb|
- (12) mfvi Avtj vP`mvPZ Kwiv Mwi I „i“ZcY[©] wel tq tKvtbv wetkl tÁi gZvgZ cŃqvRb ntj cwi I ` D³ wel q ev wel qmgñi Dci gZvgZ cŃvtbi Rb` GK ev GKwaK wetkl Átk mfvq AvgšY RvbtZ cvi te|

1.4.2. `vqx KvgwU MVb I Gi Kvhtewj

BDwbq b cwi l t` i Kvhtewj mPvi “i f c m`c v` b Kievi Rb` wogewY^z wel q w` i cŃZ`KwU m`c t K`GKwU Kti `vqx KvgwU MVb Ki te|

- (K) A_Ń ms`vc b;
- (L) wmwve wbi xŃv I wmwvei ŃY;
- (M) Ki wbi fcy I Av`vq;
- (N) wkŃv, `Ń` I cwi evi cwi Kí bv;
- (O) KwU, grm` I ci m`c` I Ab`vb` A_ŃwZK Dbqbgj K KvR;
- (P) cj ~~h~~ AeKvVtgv Dbq b, msi ŃY, i ŃYvteŃY, BZ`w` ;
- (Q) AvBb-k;Lj v i Ńv;
- (R) Rb t gZi wbeÜb;
- (S) m`wb tUkb, cw b mieivn I cqtwb[®] vkb;
- (T) mgvRKj `vY I `ŃhvM e`e`vc b v;
- (U) cwi tek Dbq b, cwi tek msi ŃY I eŃŃt vcy;
- (V) cwi ewi K wetiva wbi mb, brix I wki Kj `vY (cveZ[©] PÆMŃgi Awaevmx t` i Rb` cŃhvR` nte bv);
- (W) ms`wZ I tLj vaj v|

Dvj wZ `vqx KvgwU e`ZxZ cwi l`, cŃqvRt b tRj v cŃvm tKi Ab tgv` bµtg, AwZwi ³ `vqx KvgwU MVb Ki tZ cvi te| `vqx KvgwU mfvvZ tKv-AcU m`m` e`ZxZ cwi l t` i m`m`M tYi ga` ntZ wbeŃPZ nteb Ges gwvj t` i Rb` msi wŃZ Avmb ntZ wbeŃPZ m`m`MY Ab`b GK-ZZxqvsk `vqx KvgwU mfvvZ `vKteb| BDwbq b cwi l t` i tPqvi gv b i argv t AvBb k;Lj v wel qK KvgwU mfvvZ `vKteb| `vqx KvgwU cuP t` tK mvZ m`m` wewkó nte Ges KvgwU cŃqvRt b, wetkl Á tKv-AcU Ki tZ cvi te, Zte Zv t` i tfvUwaKvi `vKte bv| Ab`vb` m`m` `vbxq Rbm vavi tYi ga` ntZ mské KvgwU tZ Ae`vb i vLvi thvM`Zv m`ubæe`w³ t` i ga` ntZ gtbvxZ nteb| `vqx KvgwU mvcwi k cwi l t` i cieZx[©] mfvq wetePbvi ci MpxZ nte| Zte tKvtbv mvcwi k BDwbq b cwi l t` MpxZ bv ntj Zvi h_v_Ńv I KviY wj wLZfvte `vqx KvgwU tK RvbtZ nte| `vqx KvgwU mKj Kvhtewj cwi l t` i mvaviY mfvi Ab tgv` b mitctŃ Povš-nte| wbgñ wLZ Kvi tY cwi l` tKvtbv `vqx KvgwU tftQ w` tZ cvi te|

- (K) wewa tgvZvteK wbgwZ mf v AvnŃv Ki tZ bv cvi t j ;
 - (L) wbaŃ Z tŃ t` µgvMZfvte cwi l t` K ci v gk[©] cŃ vt b e`_Ńt j ;
- A_ev

w`tZ cvi`teb| MpxZ Kvh`eg m`u`K`Pqvi g`vb cwi l`i cieZ`P mfvq c`iZ`te`b
Dc`vcb Ki`teb Ges D`3 c`iZ`te`b cwi l`i mfvq Ab`tgw` Z n`tZ n`te| ew`Y` `wqZ;
Qvovl cwi l`i tPqvi g`vb wbgew`Y` `gZv c`i`qvM Ki`teb :

(K) cwi l`i mfvq cwi l`i msuk`-KgRZ`P ev KgPvi xMY I Ab`vb` mi Kwi `B`ti
msuk`-KgRZ`P ev KgPvi xMY i Dcw`wZ wbu`OZ Ki`teb|

(L) `vbxq mi Kvi (BDwbq cwi l`) AvBb-2009 ev Gi Aaxb c`y`Z weia cwi cwi`S`
Ges c`k`vmbK wek;Ljvi Kvi`Y miPe Ges `vbr`S`wi Z Ab`vb` `B`ti KgRZ`P I
KgPvi x e`Z`xZ cwi l`i w`bq`S`y`vaxb Ab`vb` KgPvi x`K c`i`qvR`tb h`_vh_ c`x`wZ
Ab`yni Y K`ti mvgw`qK ei Lv`-Ki`tZ cvi`teb| Z`te cwi l`i cieZ`P m`vavi Y mfvq
Gifc mvgw`qK ei Lv`-Ab`tgw` Z n`tZ n`te Ab`_vq Zv Kvh`Ri n`te bv|

(M) tPqvi g`vb cwi l`i miP`tei w`bKU n`tZ cwi l`i c`k`vmbK weiq msp`v`S`-th
tKv`tbv KwmdvBW ti KW`ev bw_ wj wLZ`f`v`te Zje Ki`tZ Ges AvBb I weia `v`iv
wba`wi Z c`x`wZ`tZ Av`k c`v`vb Ki`tZ cvi`teb; Z`te wZ`vb Gifc tKv`tbv KwmdvBW
ti KW`ev bw_ Zje Ki`tZ cvi`teb bv, hv m`u`Y`P`f`c miPe ev msuk`-KgRZ`P
w`bR`^Z`E`y`eav`tb _v`K`te|

(N) wZ`vb `vbxq mi Kvi (BDwbq cwi l`) AvBb-2009 ev Gi Aaxb c`y`Z weia
cwi cwi`S` Ges c`k`vmbK wek;Ljv miP`i Kvi`Y BDwbq ch`f`q KgPZ KgRZ`P
KgPvi xmn cwi l`i w`bq`S`y`vaxb Ab`vb` KgPvi x`i wei`t`x h`_vh_ KZ`E`t`q`i
w`bKU c`i`qvR`bxq AvBbv`bM e`e`v M`b`t`Yi Rb` c`iZ`te`b t`c`v`Y Ki`tZ cvi`teb|

(O) Zvi we`teP`bvq cwi l`i tKv`tbv w`x`v`S`-`vbxq mi Kvi (BDwbq cwi l`) AvBb-
2009 ev Ab` tKv`tbv AvBb ev weia-weav`tb`i cwi cwi`S` n`tj, A`_ev Gifc w`x`v`S`-
ev`ew`qZ n`tj Zv Rb`^`v`, Rb`^`v`_`v`I Rb`v`i`v`c`E`v wecb`e`Ki`te etj we`teP`Z
n`tj, wZ`vb Zv mi Kvi i w`bKU t`c`v`Y Ki`teb|

cwi l`i w`be`f`x ev Ab` tKv`tbv Kvh`c`w`i l`i b`v`tg MpxZ n`tq`t`Q etj c`k`v`k Kiv n`te
Ges Zv wba`wi Z c`x`wZ`tZ c`b`y`Y`K`Z n`tZ n`te| cwi l`i `b`w`b` tmev c`v`bg`j K` `wqZ;
Zj w`S`Z Kievi j`t`q`i KgRZ`P` i g`ta` w`be`f`x `gZv we`f`v`R`tb`i c`v`e cwi l`i mfvq
Ab`tgw` Z n`tZ n`te Ges c`i`qvR`b`te`v`ta, mg`t`q mg`t`q Zv m`st`k`v`at`bi GLwZ`qvi cwi l`i
_v`K`te|

1.4.4. cwi l`i Kvh`ewj

cwi l`i c`v`vb Kvh`ewj n`te wbg`e`f`c:

(K) c`k`vmb I ms`v`cb we`l`q`w` ;

(L) Rbk;Ljv i`q`v;

(M) RbKj `v`Y`g`j K Kvh`m`c`w`K`Z tmev; Ges

(N) `vbxq A`_`w`v`Z`K I mvgw`RK Db`q`b m`c`w`K`Z cwi K`i`bv c`y`q`b I ev`ev`q`b|
mi Kvi m`vavi Y I msi`w`q`Z Avm`t`bi m`m`t`i `wqZ; I KZ`E` weia `v`iv wba`f`Y
Ki`tZ cvi`teb|

1.4.5. tPqvi g'vb c'v'bj

cwi l` MwZ nI qvi ci c'g AbjōZ m'vi 30 (wī k) Kvh' e'tmi g'ta" AMōaKvi μtg wZb m`m'wenkó GKuU tPqvi g'vb c'v'bj , m`m'MY Zv' i wbtR' i ga" nBtZ wbe'Pb Ki'eb| wZbRb tPqvi g'vb c'v'bj i g'ta" Kgct' GKRb msi'w'Z Avmt'bi g'w'j v m`m'Mt'Yi ga" n'tZ wbe'PZ n'teb| Abjcw'wZ, Amy'Zv'tnZi ev Ab" th tKv'tbv Kvi t'Y tPqvi g'vb `wqZi cvj t'b Amg_ēn'tj wZwb c'p'ivq `xq `wqZi cvj t'b mg_ēv nI qv chē- tPqvi g'v'bi c'v'bj n'tZ AMōaKvi μtg GKRb m`m' tPqvi g'v'bi `wqZi cvj b Ki'eb| c`Z'vM, Ac'mviY, gZi'RubZ A_ev Ab" th tKv'tbv Kvi t'Y tPqvi g'v'bi c` kb" n'tj wbe'PZ bZ'b tPqvi g'vb Kvh'vi MōY bv Kiv chē-tPqvi g'v'bi c'v'bj n'tZ AMōaKvi μtg GKRb m`m' tPqvi g'v'bi `wqZi cvj b Ki'eb| tPqvi g'v'bi c'v'bj f'ē m`m'MY A'thvM" n'tj A_ev e'w'³MZ Kvi t'Y `wqZi cvj t'b Am'ēwZ Ávcb Ki'tj cwi l' i w'x'š'μtg bZ'b tPqvi g'v'bi c'v'bj `Zwi Kiv h'w'e| m`m't' i ga" n'tZ tPqvi g'v'bi c'v'bj c'ō'Z Kiv bv n'tj , mi Kvi c'ō'qv'Rb Abj'v'ti , m`m'Mt'Yi ga" n'tZ tPqvi g'v'bi c'v'bj `Zwi Ki'tZ cv'ite|

1.5. BDw'q'q' cwi l' i c'w'j k l Mōg c'ō'Zi 'v' w'el q'k Kvh'ē'w'j

mi Kvi , mg'tq mg'tq , Pwn`v t'g'v'v'teK MōgxY G'j v'Kvq Mōg c'w'j k ew'nbx MVb Ki'tZ cv'ite Ges mi Kvi KZ'ē D³ Mōg c'w'j k ew'nbx wbt'qvM, c'ō'k'v'Y , k;Lj v Ges P'v'Kwi i kZ'v'ē'w'j w'bv'PY Kiv n'te| mi Kvi th'ifc wbt`R c'ō'vb Ki'te Mōg c'w'j k t'm'ifc 'v'lgZv c'ō'qvM l `wqZi cvj b Ki'te| t'Rjv c'ō'k'v'm't'Ki w'bkU h'w' c'ō'Z'x'q'g'vb nq th, t'Kv'tbv BDw'q'q' ev Zvi Ask w'ē't'k'tl R'w'bi v'c'ē'v l Mōg c'ō'Zi 'v' w'el t'q w'ē't'k'l e'e`v Mō't'Yi c'ō'qv'Rb i't'q't'Q t'm t'v'v't' D³ G'j v'Kvi c'ō'Beq`c m'v'lg e'w'³MY't'K Av't`t'k D'w'j w'ē'Z c'x'w'Z'tZ MYc'v'v'ivq wbt'qv'w'RZ Ki'tZ cv'ite| Av't`k R'wii Kiv n'tj BDw'q'q' cwi l` Av't`t'k D'w'j w'ē'Z 'v'lgZv c'ō'qvM l `wqZi cvj b Ki'te|

1.6. BDw'q'q' cwi l' i c'ō'Z mi K'v't'i i Ab'v'b" Kg'R'Z'ē' `wqZi

1.6.1. mi K'v't'i i `wqZi

mi K'v't'i i `wqZi n't"Q BDw'q'q' cwi l` m's'μ'v'š`w'bg'ē'w'Y'Z Aa'v't`k, Av'Bb, w'ē'w'a/c'ō'ē'w'a, m'v'K'p'vi , cwi c'ī BZ`w` R'wii Kiv|

- BDw'q'q' cwi l' i tPqvi g'vb l m`m' wbe'Pb Ges GZ` m'ē'ū'w'K'Z w'el q'v'ē'w'j |
- BDw'q'q' cwi l' i tPqvi g'vb l m`m't' i 'v'lgZv, KZ'ē l `wqZy'ē'w'j |
- Mōg c'w'j k m'ē'ū't'K'BDw'q'q' cwi l' i `wqZi| Mōg c'w'j t'ki wbt'qvM, c'ō'k'v'Y l k;Lj v m'ē'ū'w'K'Z w'ē'v'b'v'ē'w'j |
- K'w'l , w'k'í , m'v'g'w'RK D'w'q'q' , L'v`k'm" D'rc'v`b BZ`w` m'ē'ū't'K'BDw'q'q' cwi l' i f'w'g'K'v w'bv'f'Y |
- BDw'q'q' cwi l' i Kg'p'v'ix't' i wbt'qvM l P'v'Kwi i w'ē'v'b'v'ē'w'j |
- BDw'q'q' cwi l' i Z'n'w'j l w'ē't'k'l Z'n'w'j e'ē'v'v't'i i cwi K'í'bv, w'ō'q's'Y , i 'v'v'v'te'v'Y l w'ē'v'b'v'ē'w'j m'ē'ū'w'K'Z w'ē'v'b'v'ē'w'j |

- evfRU c^rZ, Abtgv`b Ges GZ`msµvš-Ab`vb` Kvhewj |
 - Dbqab cwi Kí bv c^rZ, Abtgv`b Ges ev`evqb |
 - Ki, tiU wdm BZ`w` wbaŋY I Av`vq Ges GZ`msµvš-wel qvewj |
hw` tKvfbv BDwbqb Rb`ŋ`weti vax KvR Kti ev Zvt`i Dci AwcZ`wqZ;h_vh_fvte
cvj tb e`ŋq Zvntj mi Kvi H BDwbqb cwi I` ewZj Ki tZ cvti |
- 1.6.2. `vbxq chŋqi mi Kwii KgRZMtiYi BDwbqb cwi I t`i vel tq`wqZ;
tRj v cŋvmK

- BDwbqb cwi I t`i Ki wbaŋY c^rve Abtgv`b |
 - BDwc mµPeMtiYi wbtqvM I e`wj |
 - BDwc tPqvi g`vbMtiYi kc_ Abŋvb AvtqvRb |
 - AwWU wi tcvfUP gZvgtZi Dci wfvE Kti cŋqvRbxq e`e`v MŋtiYi wbt`R cŋvb |
 - BDwbqb cwi I t`i tPqvi g`vb, m`m` I mµPeMtiYi wei`tx AvbxZ AwfthvM Z`š-
Kiv |
 - BDwbqb cwi I` cwi`kŋ |
 - Mŋg cvj k I BDwc mµPeMtiYi teZtbi mi Kwii Ask weZiY |
 - BDwbqb cwi I` tPqvi g`vb I m`m`MtiYi m`ŋvbxfvZv weZiY |
 - BDwbqb cwi I t`i tPqvi g`vbMtiYi cŋkŋtiYi AvtqvRb Kiv |
 - GK ev GKwaK BDwbqti ga`Kvi weti va wbi mb Kiv |
 - BDwbqb cwi I` tPqvi g`vbMtiYi m`ú` weei Yx MŋY |
- (Gj wRGmwc:2 ev`evqti mvt`mswkŋ)

- tRj v cŋvmK tRj v mgšŋ KwguUi mfvq mswkŋ-tRj vq cŋkŋi mweR ev`evqb
AMMwZ chŋj vPbv Ki tŋb |
- `vbxq chŋq cŋkŋ ev`evqti mgn`vmgn mgvavtb cŋqvRbxq mnvqZv I wbt`Rbv
cŋvb Ki tŋb |
- BDwbqb cwi I` mgnŋK cŋqvRbxq Kwii Mwi mnvqZv cŋvtb mi Kwii weifbæwefvMtiK
wbt`Rbv cŋvb Ki tŋb |

Dccwi Pvj K, `vbxq mi Kvi

- cŋZ gvŋm AšZ 5(cuP)w BDwbqb cwi I` cwi`kŋ I gvbUwi s Kiv |
- BDwbqb cwi I` tPqvi g`vbMtiYi cŋkŋY msµvš-mfv AvtqvRb |
- BDwbqb cwi I t`i tPqvi g`vb, m`m` Ges mµPe m`ú`KŋDŋ wcz AwfthvM cŋqvRbxq
e`e`v MŋtiYi Rb` tRj v cŋvmKti wbuKU cŋve tŋY |
- BDwbqb cwi I t`i tPqvi g`vb m`m` mµPe Ges Mŋg cvj tki m`ŋvbx/teZtbi mi Kwii
Ask cŋvtbi cŋqvRbxq e`e`v MŋY |
- tRj v cŋvmK KZŋ cŋE BDwbqb cwi I` msµvš-th tKvfbv wbt`R I` wqZ;cvj b |

(Gj wRGmuc:2 ev⁻evqtbi mv₊ msuké)

- BDuc cwi`kθ, cKí ev⁻evqb chf_q gubUwi s |
- tRj v chf_qi cōZte`b cŶqb |
- tRj v I Dc†Rj v chf_q cĭk¶Y msuké-tcōi Z Znej e⁻vcbv |
- BDuc cwi Kí bv Abhvqx AwWU KvhŶg cwi Pvj bvi wel q wbuōZKi Y |
- tRj v mgšq KugwJi m`m` miPe wntmte`wqZj cvj b |

Dc†Rj v wbeŶx Awcumi (UNO)

- BDubqb cwi I† i I qvWŶ mxgvbv wbaŶ†Yi Rb` mxgvbv wbaŶ Y KgRZŶI mnKvi x mxgvbv wbaŶ Y KgRZŶwbtqvm Kiv |
- AvBvbhvqx tRj v cĭkmK BDubqb cwi I` mspvš-th mKj wbt`R cōvb Ki teb Zv cōZcj b Kiv |
- BDubqb cwi I` KZŶ tckKZ BDubqb cwi I† i ev†RU chf_q vPbv K†i 30 (wĭk) w`†bi g†a` tdi Z cōvb Kiv Ges cōqvRb ntj gZvgZ cōvb |
- BDubqb cwi I† i Avq-e†qi wmwve cōZte`b Dc†Rj v chf_q GKwĭ Z K†i tRj v cĭkmK eive†i tcōY |
- BDubqb cwi I† i tPqvi g`vb, m`m` I mw†ei wei†x AvbxZ Awf†hwM m⁺utK⁺ tRj v cĭkm†Ki wbt`¶k Z`š-cwi Pvj bv Kiv |
- tRj v cĭkm†Ki wbt`¶k BDubqb cwi I` m⁺utK⁺Ab` th tKv†bv`wqZj cvj b |

(Gj wRGmuc:2 ev⁻evqtbi mv₊ msuké)

- wewRimw†Z AvnŶvqK wntmte w`g chf_q vPbv |
- w`g ev⁻evqb Kiv R Z`vi wK Ki teb |
- Dc†Rj v cwi I` mfvq Gj wRGmuc:2- Gi ev⁻evqb AMŶwZ Dc`vcb |
- BDuc KZŶ`wĭj KZ cwi Kí bv/ev†RU chf_q vPbv K†i gZvgZ cōvb |
- wōZxq Gj wRGmuc ev⁻evqb m⁺utK⁺ BDuc chf_qi wewfba KugwJi AvcwĒ/θ;θ wbi mb |
- wōZxq Gj wRGmuc KvhŶg m⁺utK⁺ Z`vi wK cōZte`b tRj v I`vbxq mi Kvi wefv†Mi woku tcōY |
- BDubqb cwi I† i AwWU AvciĒ m⁺utK⁺ eWkxU Reite gZvgZ cōvb |
- URT cōvb wntmte BDuci m¶jgZv ewx†Z mrvqZv |

tRj v mrvqK (wWGD)

- cōZ tRj vq GKRB tRj v mrvqK (wWGD) `wqZj cvj b Ki teb | Zte tKv†bv tRj vq 100- Gi Awak BDubqb cwi I`_vK†j 2 Rb wWGD `wqZj cvj b Ki teb;
- wōZxq Gj wRGmuc ev⁻evqtbi wbu`θ`wqZj cvj †bi Rb` Dccwi Pvj K`vbxq mi Kvi, wewRimw I BDubqb cwi I`†K tRj v mrvqK (wWGD) mrvqZv cōvb Ki teb;

- Dccwi Puj K`vbqx mi Kvi Ges DctRjv vbevx AwdmviMYtK`vbqx mi Kvi c0Z0vbmgnini gubUwi s l` Z`vi wK Kvhpctg mnvqZv c0vb Ki tēb;
- w0Zxq Gj wRGmwc ev`evqtbi AMWwZ chqj vPbvi Rb` tRjv mgšq Kugwi mfv Abpvtb Dccwi Puj K`vbqx mi Kvi tK mnvqZv c0vb Ki tēb;
- DctRjv wi tmvm`wJg KZR c0E c0kqY Kvhpctgi YmZgvb wv0ZKi tY c0qvrBxq e`e`v M0Ymn wi tdkvi c0kqY AvtqvrB Ges cvi`0wi K wLb Kvhpctg mnvqZv c0vb Ki tēb;
- w0Zxq Gj wRGmwc ev`evqtbi T`wUmgv wPyZKi Y Ges Zv mstkvatb BDwbqb cwi l` tK cimgk`c0vb Ki tēb;
- BDwbqb cwi l` t i l vkmk c0Z tē`b`vbqx mi Kvi wfvM h_vmgtq tc0Y wv0ZKi Y |

BDwbqb cwi l` mgv hvZ Kwi Mwi wfvMmgfni mnvqZv cvq tmRb` Dccwi Puj K`vbqx mi Kvi Ges DctRjv vbevx Awdmvi tK mnvqZv c0vb Ki tēb |

1.7. BDwbqb cwi l` KZR mgšq

v`vbqx mi Kvi (BDwbqb cwi l`) AvBb 2009-Gi aviv 63-tZ mi Kwi KgRZP KgPvix t`i cwi l` n`vš t`i mi Kvt`i qJgZvi weavb itqtQ | n`všw i Z KgRZP KgPvix MY Zvt`i wbaqgZ`wqZi cvj t`bi cvkvcwk cwi l` KZR c0E `wqZi cvj b Ki tēb | D³ AvBtbi ZZxq Zclwtj tm mKj KgRZP l KgPvix t`i Zwj Kv t` l qv AvtQ |

mi Kvi wbgewZ KgRZP l KgPvix t`i BDwbqb cwi l` b`-Ki tZ cvt`i b

µwgK bs	gšyvj q/wfvM i bvg		BDwbqb cwi l` t i wku b`-KZ mi Kvt`i` Bi l Kvhpctg
1	v`vbqx mi Kvi wfvM	1.	v`vbqx mi Kvi c0Kškj Awa`Bt`i Aaxb`-Dc-mnKvix c0Kškj x, Rbej l Zvnt`i Kvhpctg
		2.	Rb` t` c0Kškj Awa`Bt`i Aaxb` wUdel t qj tgKwbK, Rbej l Zvt`i Kvhpctg
2	Kwl gšyvj q		Kwl m`c0nvi Y Awa`Bt`i Aaxb`-Dc-mnKvix Kwl m`c0nvi Y KgRZP, Rbej l Zvt`i Kvhpctg
3	t` t` l cwi evi Kj`y gšyvj q	1.	t` t` Awa`Bt`i Aaxb` t` t` cwi`kR Ges mnKvix t` t` cwi`kR, Rbej l Zvt`i Kvhpctg
		2.	cwi evi cwi Kí bv Awa`Bt`i Aaxb` cwi evi Kj`y cwi`kR l cwi evi Kj`y mnKvix, Rbej Ges Zvt`i Kvhpctg

4	c0_wgK I MYnk¶v gšŸvj q	c0_wgK nk¶v Awa`Bti i Aaxb` mnKvix nk¶v KgRZ®, Rbej I Zvf` i KvhŸej
5	grm` I ci mæú` gšŸvj q	grm` I ci mæú` Awa`Bti i Aaxb` ††U†i bwi wdi GwmmU`wU Ges ††U†i bwi wdi GwmmU`wU (Kwlg cRbb), Rbej I Zvf` i KvhŸej
6	mgvRKj`vY gšŸvj q	mgvR†mev Awa`Bti i Aaxb` BDwbq mgvRKg®, Rbej I Zvf` i KvhŸej
7	ˆ†vo` gšŸvj q	Avbmvi I wfwWw Awa`Bti i Aaxb` BDwbq `j †bZv, Rbej I Zvf` i KvhŸej

ˆvbxq mi Kvi (BDwbq cwi I`) AvBb, 2009-Gi 95 avivq c0E ¶lgZvetj wbgieŸ
fvte BDwbq Dbqeb mgšŸ KugwU MVb Kiv nq:

BDwbq Dbqeb mgšŸ KugwU (UDCC)i MVb :

1	†Pqvi g`vb, BDwbq cwi I`	mfvwZ
2	BDwbq cwi I†` i mKj` m`m`	m`m`
3	BDwbq cwi I†` i ˆvqx KugwUmg†ni m`m`MY	m`m`
4	Dc-mnKvix c0Kvkj x, ˆvbxq mi Kvi c0Kškj Awa`Bi	m`m`
5	mnKvix Dc†Rj v c0_wgK nk¶v KgRZv®	m`m`
6	Dc-mnKvix Kwł mæc†hvi Y KgRZv®, Kwł mæc†hvi Y Awa`Bi	m`m`
7	††U†i bwi wdi G`wmmU`wU, c0Yx mæú` Awa`Bi	m`m`
8	††U†i bwi wdi G`wmmU`wU (Kwlg cRbb), c0Yx mæú` Awa`Bi	m`m`
9	wdi GwmmU`wU, grm` Awa`Bi	m`m`
10	Dc-mnKvix KugDwbU ˆ†` KgRZv®, ˆ†` Awa`Bi	m`m`
11	ˆ†` cwi` kR, ˆ†` Awa`Bi	m`m`
12	mnKvix ˆ†` cwi` kR, ˆ†` Awa`Bi	m`m`
13	cwi evi Kj`vY cwi` kR, cwi evi cwi Kí bv Awa`Bi	m`m`
14	cwi evi Kj`vY mnKvix, cwi evi cwi Kí bv Awa`Bi	m`m`
15	BDwbq mgvRKg®, mgvR†mev Awa`Bi	m`m`
16	BDwbq `j †bZv, Avbmvi I wfwWw	m`m`
17	wUDeł †qj tgKwłK, Rbˆ†` c0Kškj Awa`Bi	m`m`
18	KugDwbU AMv†vBRvi, ˆvbxq mi Kvi c0Kškj Awa`Bi	m`m`
19	gvW mšMVK, evsj v†` k c j x-Dbqeb tewW®	m`m`
20	g`v†i R ti wR ÷†i (KvRx) [AvBb, wPvi I msm` wel qK gšŸvj q KZR w†qM c0B]	m`m`
21	w`vj q e`vcbv KugwU c0Zwbwa (gva`wgK w`vj †qi 1 Rb, c0_wgK w`vj †qi 1 Rb)	m`m`

22	BDıvq b Gj vKvi gvV chvřq KgřZ GbıRI cıZıvıa (1 Rb)	m`m`
23	`vbxq chvřq msMıvZ mgvRıvıEİK (mıgıvZ, Kve) msMıvıbi cıZıvıa (1 Rb)	m`m`
24	`vbxq e`emıvıx cıZıvıa (1 Rb)	m`m`
25	Bgvıg I agıřq tbZvı`ı cıZıvıa (1 Rb)	m`m`
26	bvıx cıZıvıa (2 Rb)	m`m`
27	mıPe, BDıvq b cıı I`	m`m`-mıPe

DcřRj v chvřqı `Bi cıvıbMY BDıvq b Dbq b KıgıvıZ BDıvq bı qvıı m`m` gıbvıq b cıvb Kite| Ab`vb` řřřı BDıvq b cıı I` mıvııY mfvq Avıj vPbv Kıı m`m` gıbvıxZ Kite| mKj m`m` gıbvıxZ nıqıı cıı BDıvq b cıı I` G Kıgıvı msıvř- GKıvı Aıvıd m Avı`k Rvıı Kite Ges msıvř- mKj řK AevıZ Kite| b`bcıřř cıZ `řgvıřm GKevı BDıvq b Dbq b mgřřq Kıgıvıı mfvı AbıřZ nıe| mfvı Abıřıvıı 03 Kvhř eıımi gıa` mfvıı Kvhř eııYx cıZ KıřZ nıe Ges 07 Kvhř eıımi gıa` D³ Kvhř eııYx DcřRj v řPqıı gıvı, DcřRj v vıevıř Aıvıd mıvı mıvıř- mKj KgřZvıı m`m`ı`ı eııvıı řcıY KıřZ nıe| Kvhř eııYx cıřZ vıřgvıř ıřKıř e`envıı Kıv řřZ cıřıı:

ıvıgK bs	Avıj vP`mıP	Avıj vPbv	vıvıř-	`vıZcıř ms`v/e`ı ³

cıZıvı mfvıı AřZ 07 Kvhř eıı cıř eııvııZ mfvıı vıvıřmıgıııı ev`evq b AMıvıZı cıZıe`bıvı mıvıř- mKj řK mfvıı DcıvıZ `vKıı Rb` vıAıvı Rvıı Kıv řřZ cıřıı | BDıvq b Dbq b mgřřq Kıgıvıı mfvıı mKj vıvıř- DcıvıZ mıL`vıvıı ı m`m`ıřıYı gıZvıgıZı vıvıEıřZ MıvıZ nıe| cıZ 03 vı mfvıı cıvıb cıvıb Avıj vPbv, vıvıřmıgıı Ges ev`evq b AMıvıZ mıřıj Z GKıvı cıZıe`b DcřRj v chvřqı mKj Aıvıd mıvı, DcřRj v vıevıř Aıvıd mıvı Ges řRj v cıvııřKıı vıKU řcıY KıřZ nıe|

BDıvq b Dbq b mgřřq Kıgıvıı Kvhř eıııj :

- (1) BDıvq b Dbq b mgřřq Kıgıvıı mıvııYıřıe BDıvq bıı mKj Avı`mıvıvıRK Dbq b Kgřvıřıı cıı Kıı vı cıřq b, ev`evq b I mgřřq Kite ;
- (2) BDıvq bıı AvBb-kıřıı vı řřıvı Ges AvBb-kıřıı vıı vıvıZ Dbq bı cıřq vıvıx e`e`vı MıřıY Kite;
- (3) BDıvq b chvřqı KgřZ mKj vıfvıvıx Dbq b KgřvıE ev`evq b AMıvıZ chvřqı vPbv Kite Ges cıřq vıvıx řřřıı mıcıvıı k cıvb I mıvıvıK cıı řek mıřıřZ mıvıvıZıvı cıvb Kite;
- (4) mıvıř- BDıvq bıı vı`gvıı tıevı cıvb cıı vıvıZ chvřqı vPbv Kite; ev`evıvıE K Pıvıı`vı vııřıY evı BDıvq bıı KgřZ mKj Dbq b mıřıvıvıı gıvıřı vııřııZ Pıvıı`vı cıřıY Kgııı Kıı vı cıřq b I mgřřq mıvıı Kite ;

- (5) msiké-BDwbqłbi RbmvaviłYi Rxebgvb Dbqłb mKj Dbqłb mnłhvMx łłK cłB młú` e`envłi mgšq mvab Kiłe ;
- (6) łvbxq RbmvaviłYi mvłł wewłbłDbqłb mnłhvMx, łmev mieivn łK`ł, DcłRjv cwił` BZ`w` cłZłvb/e`włłełMł Nıbł łhvMłłhvM łvcb ł mgšq mvab Kiłe ;
- (7) łvbxq młúł`i mł`envłi ev`e c`łłc MłY Kiłe ;
- (8) BDwbqł Gj vKvq KgłZ wewłbł ms`v/e`włłełMł KZł młúw` Z Kvłłłłgi gj`vqłbi włwłłłZ cł`vi cłvłbi e`e`v MłY Kiłe ;
- (9) łvbxq Dbqłb D`vniY młłKvix fıj włłYmgłni Z` młMł Ges włR Gj vKvq ev`evqłłhvM` włłYmgł Abjłvłłbi gva`łg hvłvB ł ev`evqłbi c`łłc MłY Kiłe ;
- (10) BDwbqłbevıxi Rxebgvb Dbqłb cłqvRbxq e`e`v MłY Kiłe |

2. cwiłł`i Avll`ł e`e`vcbv, młúwłł Znlvej

2.1. Avll`ł e`e`vcbv

2.1.1. cwiłł`i młcłł ARł, łłj ivłvi ł włłcłł Kivi łlgZv

- (1) cłZ`K cwiłł`i młcłł ARłbi, łłj ivłvi ł włłcłł Kivi Ges Płłex nlqvi łlgZv`vKłe| Zte łvei młcłł ARł ev włłcłł łłłł cwiłł`łK miKvłi cełłłg`b MłY KiłłZ nłe|
- (2) mi Kvi wbgewłł wewłq wewł cłvqłb KiłłZ cviłe:
 - (K) cwiłł`i gwłj Kvbxvxb ev Gi Dci b`ł-młúwłł e`e`vcbv, iłłYłtełłY, n`všł włqšłł ł Dbqłb młmłšłł
 - (L) cwiłł`i Rb` cłqvRbxq łvei młúwłł AwłMłY młmłšłł
- (3) cwiłł` cłeavb łviv wbalłi Z cxłłZłł:
 - (K) gwłj Kvbxvxb ev Zvi Dci ev Zvi Złeavłb b`ł-th łKvłbv młcłł e`e`vcbv, iłłYłtełłY, cwiłł`kł ł Dbqłb KiłłZ cviłe|
 - (L) łvbxq miKvi (BDwbqł cwiłł`) AvBb 2009 ev wewłi Dłłk` cłYKłł Dłł młcłł KvłR j vMłłZ cviłe; Ges
 - (M) łvb, wewłq, ełK, BRviv, wewłgtłi gva`łg th łKvłbv młcłł wewł Abłvqx ARł ev n`všł KiłłZ cviłe|
- (4) cwiłł` h_vh` Rwiłci gva`łg Gi włqšłłvxb mKj młcłł wewłYw` cłZ Kłi cłZ ermi Zv njv bvlv` Kiłe Ges, cłhvR` łłłł, młcłł`i wewłYx, gvblPł cłZ Kłi Gi GKłł Abjłłc wbalłi Z KZłłłi włKU łcłY Kiłe|
- (5) łvbxq miKvi (BDwbqł cwiłł`) AvBb 2009 AvBb ev wewłi łviv wbalłi Z cxłłZ Dłcłł ev jšNb Kłi hw` młúwłł ARł, łłj ł włłcłł Kiv nq, Zvłłj, Zv Ałeł etł MY` nłe Ges msiké-włmłš-MłY ł cłvbKvix e`włł ev e`włłMY G AvBłbi wewł Abłvqx kw`-cłB nłeb|

2.1.2. cwi l` m`c` n`vš`

mi Kvi, tKv`bv cwi l` ev Gi `vbxq Awat`i gta` Aew`Z tKv`bv mi Kwi m`cwi` msik` AvBb ev wea-weavb Abhvqx D³ cwi l` tK n`vš` Ki tZ cwi te Ges Gifc m`cwi` H cwi l` eZ`te I Gi wqš`vaxtb _vKte|

2.1.3. cwi l` i Znvej

- (1) c`Z`K BDwbq b cwi l` i Rb` msik`-cwi l` i bvtg GKwJ Znvej _vKte|
- (2) MwZ Znvej wbgew`Z Drmmgn t` tK c`B A_`Rgv nte :
 - (K) mi Kvi KZ`R c` E Abj vb I g`yi |
 - (L) `vbxq mi Kvi (BDwbq b cwi l`) AvBb 2009-Gi weavb Abhvqx mi Kvi KZ`R wba`i Z mKj `vbxq Drm ntZ Avq|
 - (M) Ab` tKv`bv cwi l` wKsev tKv`bv `vbxq KZ`R KZ`R c` E Abj vb I g`yi |
 - (N) mi Kvi KZ`R g`y`xKZ FYmg` (hw` _v`K)|
 - (O) cwi l` KZ`R, c`hvR` t`i`T, Av`vqKZ mKj Ki, tiBU, tUvj I wdm eve` c`B A_`
 - (P) cwi l` i Dci b`-Ges cwi l` KZ`R wbg`Z ev wqš`Z ev cwi Pwvj Z we`vj q, nvmcvZvj, JIavj q, feb, c`Z`vb ev cZ`vR t` tK c`B mKj Avq ev g`v`v|
 - (Q) tKv`bv U` ÷ i w`KU t` tK Dct`X`Kb ev Abj vb wnt`te c`B A_`
 - (R) `vbxq mi Kvi (BDwbq b cwi l`) AvBb 2009-Gi weavb Abhvqx c`B Rwi g`v`v I A_``Ei A_`
 - (S) cwi l` KZ`R c`B Ab` mKj c`Kvi A_`
 - (T) G AvBb Kvh`i nI qvi mgq msik`-BDwbq b cwi l` i m`u`Y`GLwZqvti _vKv D`E Znvej |

2.1.4 cwi l` i e`q

- (1) Znvej i A_`bg`j wLZ LvZmg`n AM`aKvi wfw`E`Z e`q Ki tZ nte,
 - (K) cwi l` i Kg`RZ`I Kg`vix` i teZb I fvZv c`vb;
 - (L) `vbxq mi Kvi (BDwbq b cwi l`) AvBb 2009-Gi Aaxb Znvej i Dci `vqhy` e`q;
 - (M) AvBb ev Aa`v`k `v`v b`-cwi l` i `wqZi m`cv`b I KZ`R` cyj`bi Rb` e`q;
 - (N) wba`i Z KZ`R`i cef`g`v b`vtg cwi l` KZ`R tNwl Z Znvej i Dci `vqhy` e`q;
 - (O) mi Kvi KZ`R cwi l` i Dci tNwl Z `vqhy` e`q|
- (2) `vbxq mi Kvi (BDwbq b cwi l`) AvBb 2009-Gi D`i`k` c`YK`i cwi l` thi`c Dch` g`b Kite cwi l` i Znvej ntZ tmBifc A_`e`q Kivi `lgZv Zvi _vKte|

(3) Znwejtj Rgv LvZ D0E A_©mi Kvi mg tq mg tq thifc wbt`R w`te, tmi fc LvZ e`q nte|

(4) cwil`i Znwej cwil` tPqvi g`vb l mwp`tei thS_`v`f`ti cwi Pwj Z nte|

2.1.5. cwil`i Znwej msi`f`Y ev wewbtqM Ges we`kl Znwej MVb

cwil`i Znwejtj RgvKZ A_©tKv`bv mi Kwi tURwi tZ ev mi Kwi tURwi i KvH© cwi Pvj bvkvi x tKv`bv e`vstK ev mi Kvi KZR mg tq mg tq wba`ni Z Ab` tKv`bv Aw`R c0Z0v`b Rgv ivL tZ nte| cwil` wewa 0viv wba`ni Z c`xwZ tZ cwil`i Znwejtj i th tKv`bv Ask wewbtqM Ki tZ cvi te| cwil`, mi Kvti i ce`f`tg`b`m`tg, tKv`bv we`kl Df`l`k` c`_K Znwej MVb Ki tZ cvi te hv mi Kvi KZR wba`ni Z c`xwZ tZ cwi Pwj Z nte|

2.1.6. `vqh` e`q

(1) cwil` Znwejtj i Dci `vqh` e`q wbg`f`c nte:

(K) cwil`i Pvkwi tZ wbtqM RZ mKj KgRZ`P l KgPvi x`K (tc0`Y wbtqM c0B wKsev wBR`) teZb l fvZv wnt`m`te c0`q mg`q A_©

(L) mi Kvi KZR wbt`KZ cwil`i wbe`Pb cwi Pvj bv, wnmve wbi x`f`v ev mg tq mg tq mi Kvti i wbt`R`m`tg Ab` tKv`bv we`l`qi Rb` cwil` KZR c0`q A_©

(M) tKv`bv Av`vj Z ev U0Bejbyj KZR cwil`i wei`tx c0E tKv`bv ivq, wWw`v ev ti v`q`v` KvH`Ki Kivi Rb` c0qvRbxq A_© Ges

(N) mi Kvi KZR `vqh` e`q etj tNwi Z Ab` th tKv`bv e`q|

(2) cwil`i Znwejtj i Dci `vqh` tKv`bv e`qi LvZ hwi` tKv`bv A_©Acwi t`kwaZ `v`K, Zv ntj th e`w`3 ev e`w`3e`M`P tndvR tZ D`3 Znwej `vK`te tm e`w`3 ev e`w`3e`M`K mi Kvi, Av`k 0viv, D`3 Znwej ntZ hZ`i m`e` D`3 A_©cwi t`kwa Kivi wbt`R w` tZ cvi te|

2.1.7. wnmve

(1) BDw`bq cwil`i Avq l e`qi wnmve wba`ni Z c`xwZ tZ l di`tg msi`f`Y Ki tZ nte|

(2) c0Z`K A_©erm`ti i t`k`l BDw`bq cwil` D`3 A_©erm`ti i Avq l e`qi wnmve c0Z Ki te Ges BDw`bq cwil`i mKj `v`qx Kvgu`U l Rbmvavi t`Yi Dcw`wZ tZ Ab`y0Z ev`RU Aw`ate`k`b G wnmve t`ck Ki te|

(3) BDw`bq cwil` cieZr`A_©erm`ti i 60 (lvU) w`t`bi g`ta` cwil`i Avq-e`qi PevS`-wnmv`tei weeiY Dc`Rjv wbe`f`x Aw`dmi`ti i w`b`KU tc0Y Ki te| Dc`Rjv wbe`f`x Aw`dmi`ti mgw`S`Z c0Z`te`b mi Kvi KZR wba`ni Z O`K tRjv c0kvm`t`Ki w`b`KU tc0Y Ki te Ges tRjv c0kvm`t`Ki mgw`S`Z c0Z`te`b wba`ni Z O`K mi Kvti i w`b`KU tc0Y Ki te|

12. cvBtc mieivn cwiB Drm

13. we`jr mieivtni DcKiY

14. AvmevecĀ

15. hšcwZ

2.2.2. `vei mawE e`vcbv

BDwbqbcwi l`tk Zvi mKj `vei mawEi mtePP e`envi wbowZ KitZ nte| mawE mntr vPwYZKiY, mawE e`envi i Dci h_vh_ vbcšy, wevfbaDrm t`tk cOB mawEi mtePP e`envi l`vZZv cwivniti Rb` `vei mawE e`vcbv cawZ vbaŋY Kiv DwpZ| 31 Atavei 2012-Gi cteBDwbqbcwi l`i GKwJ vbw` di`tg mKj `vqx l` `vei mawEi Zwj Kv cOZ KiZe| 30 Rb 2013-Gi gta` BDwbqbcwi l`i mawE tiwR`ti Pevš-Kiv Avek`K| GtZ e`_ntj BDwbqbcwi l` weveR (75%) Ges weveR eivl` cvl qvi AŋvM` wevePZ nte|

2.2.3. kbv³KiY msL`v

mawE ntj AtgpPbxq Kwj ōviv cOZ`KwJ mawEi GKwJ kbv³KiY msL`v w`tZ nte| kbv³KiY msL`v cOvtni Rb` GKwJ mjbv` AvBwJ tkwW vnt`g Abmiv KiTz nte| D`vniY `ŋfc: GKwJ gvwJi iv`vi baf kbv³KiY msL`v nte ER 01-2011-001 (cOg msL`v nte iv`vi Ae`vb mawKZ, wOZxq msL`v mvj mawKZ, ZZxq msL`v vavgK msL`v|

mawEi kbv³KiY msL`vi D`vniY

mawEi weeiY/ mawEi aib	Ae`vb l qW ⁶	mq/ cObi mvj	mawEi vavgK	kbv ³ KiY msL`v
gvwJi iv`v	07	2010	001	gviv 072010001
KwAwDvvi	00	2011	002	Kg 002011002

2.2.4. maw` tiwR`ti

BDwbqbcwi l`i GKwJ maw` tiwR`ti `vKv Avek`K| BDwbqbcwi l`i mKj `vei Ges A`vei mawE G maw` tiwR`ti Ašfš nlgv mgvPxb| BDwbqbcwi l`i gvij Kvsvaxb mKj velq mawE thgb iv`v, weR, Kvj fvU⁶ gvtkO, cKai, AvmevecĀ, hšcwZ, feb BZ`w` maw` tiwR`ti Zwj Kvfš nte| cOZ`KwJ maw` mtiq Zwii L, gj`, Znvetji Drm, iŋYvteŋY Kvtrii Zwii L, iŋYvteŋYi Rb` cOqvRbxq At_P cwi gvY, iŋYvteŋYi Rb` cOqvRbxq Znvetji Drm BZ`w` meB maw` tiwR`ti Dti L`vKte| tiwR`ti vbwqz njbvMv` Kiv nte| cOZ eQii maw`i msL`v Ges cwi gvY H eQii mtiq cwi gvYi mgvb nte| AwWU vJg ōviv cOZ eQi maw` AwWU nte Ges Zv BDwbqbcwi l`i Avw`R e`vcbv vWkfgvJ vntmte MY` nte| vbtP maw` tiwR`ti i GKwJ bgbv cOvB Kiv ntj v :

məú` tɪwR ÷ tɪ :

μwgK bs	məú` i brg l Ae`vb	wbgʻY ev μtqi Zwi L	gj`	Znɛtj i Drm	mɛʃkl i ʃʃYtɛʃʃtɪYi Zwi L	e`wqZ At_ʃ cwi gvY	i ʃʃYtɛʃʃtɪY e`wqZ At_ʃ Drm	cieZi ^o i ʃʃYtɛʃʃtɪYi Zwi L	gʃe`

2.2.5. `wjj cɪw` msi ʃʃY

BDwqbb cwi l t` i mKj məúwÉ l `wjj cɪw` msi ʃʃtɪYi wɛltq wbgɛwYʒ c×wZ AbmZ n l qv Avek`K:

- K) mKj məúwÉ məú` tɪwR ÷ tɪ fɪʃ n tɛ |
- L) mKj `wjj /WKtɔU avi vɛwnKfvɛ mskɛ-dvBtj msi ʃʃY Ki tZ n tɛ |
- M) mKj WKtɔU dvBj , məú` tɪwR ÷ tɪ Aek`B wbi vc` tndvRtZ msi ʃʃY Ki tZ n tɛ | tKej ʃʃgZv cɔʃ e`wʒ A_ʃ tPqvi gv`vb ev Zui t` l qv `wqZcɔʃ e`wʒ Dʒ WKtɔU ev `wjj w`tZ cɔʃekwaKvi _vKtɛ |
- N) tKvɪbv w`g ev`evqb mgvʃ n l qvi ci AʒZ 5(cwP) eQi chʒ-G məúwKʒ `wjj w` msi ʃʃY Ki tZ n tɛ |

2.2.6. `vqx məúwÉ wɛwɛj ɛt` R Kiv

tKvɪbv `vqx məúwÉ wɛwɛj ɛt` R Kiv wbfʃ Ktɪ Dʒ məúwÉi Ae`vi Dci | GUv tKej BDwqbb cwi l ` KZʒ h_vh_fvɛ KZʒ; cɔvɪbi ci B n tZ cvɪ | BDwqbb cwi l t` i `vqx məúwÉ wbgɛwYʒ `wJ Dcvɪtq wɛwɛj ɛt` R Kiv th tZ cvɪ :

- 1) wɛμtqi gva`tg, hLb G məúwÉ BDwqbb cwi l ` ev RbMtɪYi Avi tKvɪbv cɔʃqvRb n tɛ bv |
- 2) tɔtj t` l qv ev wɛbó Kiv , hLb G məúwÉi Avi tKvɪbv DcɪhvM _vʃK bv | Dfɔ tʃʃtɪ məúwÉ wɛwɛj ɛt` R Kivi cʃe`Dchɪʒ KZʒ ʃʃ KZʒ mi Ruqtɔ məúwÉ cwi `kɔ Ki tZ n tɛ | `vei məúwÉ wɛwɛj ɛt` R Kivi AvtM wbgɛwYʒ c` tʃʃc MɔY Ki tZ n tɛ:
- (1) məúwÉ e`envi Kvix ev Gi i ʃʃvKZʃʃK Dʒ məúwÉ wɛwɛj ɛt` R Kivi AbgɔwZ tPtq Dchɪʒ KZʃʃtɪ wɛwɛj ɛt` R Kivi wLZfvɛ Abʃiva Ki tZ n tɛ |
- (2) Abʃiva cɪwJ Dchɪʒ KZʃʃtɪ KZʒ chʃj vPbvi ci Abʃgɔw` Z n tZ n tɛ |

2.2.7. `vqx məúwÉ cɔʃʃ cwi `kɔ

BDwqbb cwi l t` i wɔqʒvaxb mKj `vei məúwÉ BDwqbb cwi l ` KZʒ MwZ tKvɪbv Dchɪʒ KɔwJ KZʒ cɔʃʃfvɛ cwi `kɔ Ki tZ n tɛ | G KɔwJi mfvɛwZ n tɛb GKRB BDwɛ m`m` Ges BDwɛ mwPe Gi m`m` mwPe n tɛb | DcɪRjv chʃʃtɪ tKvɪbv KgʒZʃʃKgʒvix ev BDwqbb chʃʃtɪ KgʒZ tKvɪbv KgʒZʃʃKgʒvix wɔqɔZfvɛ G KɔwJi m`m` n tɛb |

2.3. ivR^AvniY

2.3.1. BDwbqb cwi l`i wbr^Drm t_tK ivR^Avq

BDwbqb cwi l`i Avtqi wZbwU Drm itqtQ | G_s,tj v ntj v:

- (1) ivR^Avq
- (2) mi Kwi Abj vb Ges
- (3) Ab`vb` Drm

vbxq mi Kvi (BDwbqb cwi l`) AvBb 2009 Abjnti BDwbqb cwi l` wbgewZ 13wU Drm ev vel tq Ki, ti BU, wdm BZ`w` Avtvc l Av`vq KitZ cvti |

- 1| wbañi Z c>wZtZ AvtiwcZ Bgvi Z/fvgi ewl R gñj`i Dci Ki A_ev BDwbqb ti BU |
- 2| cvKv BgviZi mefgvU AvqZtbi cZ eM@tUi Dci wbañi Z nvti Bgvi Z cwi Kí bv Abtgv` b wd |
- 3| tckv, e`emv Ges ewEi (Kij s) Dci Ki |
- 4| wntbqv, Wtgv l bvU` cD kDx Ges Ab`vb` Avtgv`-cDgv` Ges wPEwetb` tbi Dci Ki |
- 5| BDwbqb cwi l` KZR cD E j vBtmY Ges cviwgtUi Dci wd |
- 6| BDwbqtbi mxgvbvi gta` wbañi Z nvU-evRvi Ges tciw NvU ntZ wd (j xR gmb) |
- 7| BDwbqtbi mxgvbvi gta` n`všwi Z Rj gntj i mi Kvi wbañi Z Ask |
- 8| BDwbqtbi mxgvbvi gta` Aew`Z cv_i gntj , evj gntj i Avtqi mi Kvi wbañi Z Ask |
- 9| `vei mæcwE n`vši Ki eve` Avtqi Ask |
- 10| wKvn wbeÜb wd |
- 11| fvg Dbaqb Ki mspvš-Avtqi Ask |
- 12| weÁvctbi Dci Ki |
- 13| G AvBtbi th tKvtrv weavtbi Aaxtb Ab` th tKvtrv Ki |

2.3.2. BDwbqb cwi l`i `wqZj l KZ@`

BDwbqb cwi l`i Ab`Zg_s i`ZcY@KvR nt`Q ivR^Av`vtq MwZkxj Zv Avbqb | chfB Avq Qvov BDwbqb cwi l` Rbmvavi YtK Zvt`i cZ`wKZ tmev cD vb KitZ cvte bv | Zvt` itK memgq mi Kvti i Ki`Yvi Dcti ZwiKtq_vKtZ nq | Ki Av`vq epxi Rb` vbxq Rbmvavi YtK mt½ wbtq h_vh_fite Ki wbañi Y Kiv Avek`K | lqvW©mfv Abjvtbi mgq vbxq ivR^Av`vq Ges BDwbqb cwi l`i tmev cD vb mæútK@RbMYtK AewNz KitZ nte | BDwbqb cwi l`i ivR^Av`vq Dbqtbi Rb` cZwU lqvW©chfB GKwU ivR^Av`vq KwgU MVb Kiv thtZ cvti, hviv BDwbqb cwi l`i Ki wdm l Ab`vb` cvl bv Av`vtq mnvqZv KitZ cvti | KwgU Av`vqKZ Ki e`envi l gubUi KitZ cvti | cZ cvP eQi Ašit Kgc tñ | GKevi tnwi s U`v` cpwbñi Y Kiv thtZ cvti | GKwU wbw` di tñ U`v` wbañi Y Kiv nte Ges Rb AskMñYgj K c>wZtZ U`v` wbañi Y Kiv nte | BDwbqb cwi l` Ki wbi fctYi Rb` tj vK wbtqM Kite Ges lqvW©

chq Ki wbaŋ Y wełq Avtj vPbv mfvi AvtqvRb Kiŋe | RbMYŋK AwakZi `wqZkxj Kivi Rb` wbaŋi Z Ki c0vbŋK DrmwNz Kiv nŋe | Ki wbaŋi ŋi ci Zv Rbmgŋŋ cKvk Kiv nŋe Ges e`w³ chqŋi ŋKvŋbv AvwE DĪ wcz ntj Zv c0E mgŋŋi gŋa` BDwbq b chqŋ w³uE KiŋZ nŋe |

h_vh_ iwk` c0vŋbi gvaŋg Ki Av`vq Kiv nŋe | c0ZwU e`w³i Ki c0vŋbi Ae`v wbjcŋŋi Rb` U`v` cvm eB e`envi KiŋZ nŋe | Ki c0vbKvi xi wBKU ŋ_ŋK Ki Av`vq Kivi mgq Av`vqKvi x U`v` cvm eBŋg `ŋŋi Kiŋeb | Ki Av`vqKvi x KZŋ Av`vqKZ A_`e`vsK wmvŋe wbcwqZ Rgv KiŋZ nŋe Ges c0Zw` b K`vk eB nvj bvmv` KiŋZ nŋe | Ki ŋ_ŋK c0B A_`ŋKej BDwbq cwi l` i Abŋgv` ŋbi ci B e`q Kiv hvŋe |

wbcwqZ I `i`ZcY`Ki`vZwMYŋK BDwbq cwi l` Zvi evŋRU mfivq m`ŋyb c0vb Kiŋeb hvŋZ Ab`vb`MY Ki c0vb KiŋZ AbjwYZ I DrmwNz nb | ivR`^Zwŋej ŋviv MpxZ Dbq b w`g m`uŋK`RbMYŋK AwNz Kiŋe BDwbq cwi l` |

BDwbq cwi l` Zvŋ` i wBR`^Avq ewxgj K Kvhŋg Mŋŋi Yi Dŋ`vM ŋbŋe | e,ŋŋivcY, mevR Pvl, bvmŋi, grm` Pvl, gjwMi Lvgi Ges gvŋKŋ wbgŋy BZ`w` BDwbq cwi l` i wBR`^Avŋŋi Drm nŋZ cvŋi | G ai ŋbi Dŋ`vM `vbxq chqŋ Drcv` bŋK mgx Kiŋe |

3. cwi Kí bv, evŋRU I AwWU

3.1. cwi Kí bv

`vbxq mi Kvi (BDwbq cwi l`) AvBb 2009 Abjvŋŋi BDwbq cwi l`ŋK Rb AskMŋYgj K cŋqŋq cAewl ŋ I Ab`vb` weŋfbŋŋgqŋŋ` i cwi Kí bv cŋq b KiŋZ nŋe | I qvW`mfvmgŋ KZŋ cwi Kí bv mfvi AvtqvRb Kŋi `vbxq Rbmvavi Y mgm`vmgŋ wPwYZ I AMŋaKvi wbjcY Kiŋe Ges cwi Kí bvŋ tm_ŋj v Ašfŋ nŋe |

BDwbq cwi l` i cwi Kí bvi m`ŋe` evŋRU Ges c0R± ev`evŋŋbi mgqmxgv Dŋj E`_vKŋe | cwi Kí bv Aek`B BDwbq cwi l` i wBR`^ivR`^Avq Ges Ab`vb` m`ŋe` mKj Avŋŋi Drŋmi Dci wŋE Kŋi cYxZ nŋe |

3.1.1. cwi Kí bvi bwxZmgŋ

mvaviYZ RvZxq Dbq b cwi Kí bv Ges RbMŋYi c0qvŋŋbi AMŋaKvi weŋePbv Kŋi BDwbq cwi l` w`g ev`evŋŋ Kŋi Ges tmev c0vb Kŋi | BDwbq cwi l` i cwi Kí bv RvZxq cwi Kí bvi Ask | `vbxq PwN`v, RbMŋYi c0qvŋŋbi AMŋaKvi, m`uŋ` i c0c`Zv, Kwii Mwi `ŋŋZv, `wii`^a nwm Ges Ab`vb` AvbŋwŋK weŋePbvi wŋEŋZ w`g wbeŋPb I tmev wbw0Z KiŋZ nŋe | `vbxq mi Kvi (BDwbq cwi l`) AvBb 2009-G ewYZ Kvhŋej Ges wbgewYZ cwxZ Abjvŋŋi BDwbq cwi l` tmev c0vb Kiŋe Ges w`g MŋY Kiŋe:

(K) w`g MŋY I ev`evŋŋbi mgq mgM0 BDwbqŋK GKwU BDwbU wŋŋŋe weŋePbv KiŋZ nŋe |

- (L) w-g MhY Ges ev-evq̄tbi t̄q̄t̄ I qvW^oA_{ev} mgM^oBDwbq̄tbi msL^ovMwi o gvb̄t̄ I Kj^ovY I tmevi wel qvU AM^oMaKvi w^otZ n̄te|
- (M) wbePZ w-g I tmevmgn^o `Z mdj Kīte Ges c jx-Gj vKvq^o `wi^o `w̄et̄gvP̄t̄b mnvqK n̄te|
- (N) w-g I tmevgj K Kg^omP Mh̄t̄Yi mgq Kg^oms^o-vb m̄w̄o w̄et̄kl K̄t̄i bvi x Ges `y RvM^o-RbM̄t̄Yi Kg^oms^o-v̄t̄bi wel qvU w̄et̄eP̄bv KītZ n̄te|
- (O) w-g ev-evq̄tbi t̄q̄t̄ GKvU BDwbq̄b cwi l^o Dc̄t̄Rj v cwi l^o Ges t̄Rj v cwi l^o i Ask̄v̄i n̄tZ cv̄t̄i |
- (P) GKwaK BDwbq̄b cwi l^o Zv̄t̄^o i m̄vavi Y^o -t̄^oth̄^o-f̄v̄te w-g ev-evq̄b KītZ cv̄t̄e|
- (Q) w-g wbeP̄b Ges m̄e^oú^o msM^oni Rb^o BDwbq̄b cwi l^o I qvW^oGes BDwbq̄b ch̄q̄q Rb AskM^oh̄t̄Yi gva^ot̄g BDwbq̄b w̄f̄v̄ĒK Db̄q̄b Kg^oe^owi Kí b^ov^o Zwi Kīte|
- (R) BDwbq̄b cwi l^o cwi t̄ek msi q̄Y, Rb^o-t̄^oi c̄Ź I mvgw^oRK w̄bivcĒv I mj q̄vi c̄Ź w̄et̄kl^o i Z̄t̄ivc Kīte| w-g Mh̄Y I ev-evq̄tbi mgq Ggb t̄Kv̄t̄bv Kvh̄q̄g Mh̄Y Kīte b^ov hvi d̄t̄j cwi t̄ek w̄ecb̄enq| gvb̄t̄K Zvi B^oQvi w̄ei^ot̄x ev-P̄iZ n̄tZ nq, gvb̄t̄I R^ow̄eKvi c^o-i^ox nq A_{ev} Ab^o t̄Kv̄t̄bv t̄bwZevPK mvgw^oRK c̄f̄ve c̄t̄o|

w̄w̄f̄baDrm t̄^ot̄K c̄Ź Ges w̄bR^o-^oAvq t̄^ot̄K BDwbq̄b cwi l^o th w-g ev-evq̄b Kīte Zv w̄beP̄b Kīte BDwbq̄b cwi l^o i c̄Āewil^o R̄ cwi Kí b^ov A_{ev} Ab^ov̄b^o t̄gq^ow^o cwi Kí b^ov t̄^ot̄K hv Mh̄Y Kiv n̄t̄q̄t̄Q Rb AskM^oh̄t̄Yi w̄f̄v̄Ēt̄Z|

^ov̄bxq mi Kvi (BDwbq̄b cwi l^o) AvBb 2009- G th Kvh̄q̄ej I^o `wqZi BDwbq̄b cwi l^o t̄K c̄Ź vb Kiv n̄t̄q̄t̄Q Zv ev-evq̄t̄bi Rb^o Gj w̄RGm̄ic:2- Gi t̄ḡw̄ij K t̄^ovK eiv̄l^o A_{ev} `q̄Zv w̄f̄v̄ĒK t̄^ovK eiv̄l^o e^oenvi Kiv hv̄te|

w̄bgeiv̄Y^o t̄q̄t̄ G j w̄RGm̄ic:2-Gi A_{ev} e^oq̄ Kiv hv̄te b^ov

- K) BDwbq̄b cwi l^o t̄Pqvi ḡvb, m^om^o w̄Ksev Kg^o i teZb, gR̄yi w̄Ksev Ab^o t̄Kv̄t̄bv m̄jeav t̄^o I qv|
- L) q̄j^o A_{ev} q̄bmn t̄Kv̄t̄bv A_{ev} w̄ZK tmev thLv̄t̄b q̄j^o e^oenvi D̄t̄^o v̄t̄M FY mieivn Kiv nq|
- M) Ggb t̄Kv̄t̄bv c̄Kí Mh̄Y Kiv hv̄te b^ov, hvi t̄bwZevPK cwi t̄ekMZ/mvgw^oRK c̄f̄ve Av̄t̄Q|
- N) aḡq̄ c̄ŹŹv̄t̄bi m̄v̄t̄^o msh̄y^o t̄Kv̄t̄bv c̄Kí w̄ew̄w̄R/w̄c̄w̄w̄R Zn̄w̄ej t̄^ot̄K A_{ev} q̄b Kiv hv̄te b^ov|
- O) BDwbq̄b cwi l^o i AeKv̄w̄t̄gv, t̄^o I qj w̄bḡw̄, Av̄m̄ev̄c̄Ā I h̄š̄c̄w̄Z m̄s̄m̄v̄š^o-t̄Kv̄t̄bv c̄Kí w̄ew̄w̄R/w̄c̄w̄w̄R Zn̄w̄ej t̄^ot̄K A_{ev} q̄b Kiv hv̄te b^ov|

3.1.2. cwi Kí b^ov Kvgw̄U
 c̄ŹZw̄U BDwbq̄t̄b cwi Kí b^ov Kvgw̄U^o vK̄te| BDwbq̄b cwi l^o i GKRB m^om^o Gi m̄f̄vcw̄Z ev Av̄n̄ȳvqK n̄teb| Ab^ov̄b^o m^om^o, BDw̄ic m̄w̄Pe, BDwbq̄b cwi l^o n^o-v̄š̄wi Z mi Kwi

Ḃti i cāvbMY cwi Kí bv KugūJi m`m` nteb| Dbq̄b cwi Kí bv `Zwi tZ cwi`kPev`Ḃ
tKvfbv e`w³tK G KugūJi m`m` wntmte AšfP̄ Kiv thtZ cwi| BDwbq̄tbi cwi Kí bv
cŃZ Kivi mgq cwi Kí bv KugūJi wbgewYZ c×uZ AbyniY Ki te :

- (1) I qW^oKugūJi gva`tg Ḃvbxq RbmvariYi thvMvthvM I gZweibgq Ki te|
- (2) w`g wPwYZ Ki te Ges Gi Kwii Mwi w`K_utjv wefkH Ki te|
- (3) cwi Kí bv tKŠktji QK cŃZ Ki te| wKfvte cwi Kí bv ev`e ifc jvf Ki te,
weirfbreKugūJi figKv wK nte, Abtgw Z cūuqv, tiKW^omsiḂY BZ`w` Gi
AšfP̄ nte|
- (4) w`gmgḡni Zwj Kv cŃZ Ki te Ges G_utjvi gta` AMŃaKvi wbyQ̄ Ki te|

3.1.3. gZweibgq I AMŃaKvi wbyfY

Ḃvbxq mi Kvi (BDwbq̄b cwi I`) AvBb 2009 Abyniti BDwbq̄b cwi I t` i `wqZj mPfvte
cvj tbi Rb` GUV cZ`wKZ th BDwbq̄b cwi I` cĀewl R cwi Kí bv, ewl R cwi Kí bv I
Ab`vb` tgqww` cwi Kí bv cŃq̄b Ki te| BDwbq̄b chŃq̄ cwi Kí bv wbgewYZ bwnZgij vi
Avtj vfk cŃxZ nI qv evĀbxq|

- (K) I qW^omfvi gva`tg DbP̄ Rbmfv Kti e`vcKfvte RbMtYi AskMŃtYi gva`tg
Rb AskMŃYgj K cūuqv Ḃvbxq RbMtYi Pwn`v wbyfY I AMŃaKvi wbyQ̄
Kiv|
- (L) mgqZ BDwbq̄b chŃq̄ Dbq̄b cwi Kí bv I evfRU cŃq̄b Kiv|
- (M) epEi RbmvariYi Rb` BDwbq̄b cwi I t` i cwi Kí bv I evfRU DbP̄ Kiv|
Gj wRGmnc:2- Gi tḂtĀ BDwbq̄b cwi I tK hLb tde`qwi/gvP^ogvḡm evrmwi K
tgšij K t_vK eivl Rwbqt t` I qv nq BDwbq̄b cwi I` tPqvi g`vb tK wbgewYZ Kiv
Ki tZ nte :

1. GKūJi DbP̄ mfvi AvnYvb Ki tZ nte thLvḡb mKj BDwC m`m` Ges Ḃvbxq
RbmvariY Ask wḡteb| tmLvḡb evfRU eivtĀ i cwi gvY Rwbqt t` I qv nte Ges
Zt` i wR wR AwatḂtĀ Rb AskMŃY cūuqv Dbq̄b cwi Kí bvi AMŃaKvi
wPwYZ Kivi AvnYvb Rvḡteb|
2. BDwbq̄b cwi I t` i tbnUk tevW^otgšij K t_vK eivtĀ i cwi gvY RbmgtḂ Uwbqt
w`teb Ges G Z` e`vcK cPvi Ki teb|

I qW^omfvi mfvi I qvW^o Dbq̄b KvhŃg Ges BDwbq̄b cwi I t` i weMZ eQtii ewl R
cŃZte`b chŃj vPbv Kivi weavb itqtQ| GtZ weMZ mfvi wv×vš-ev`evq̄b AMŃwZ
chŃj vPbv Kiv nte| msukē- I qvW^o BDwC m`m` Ges BDwbq̄b cwi I t` i tPqvi g`vb
weMZ mfvi wv×vš-ev`evq̄b bv nI qvi weItq `vq_vKteb|

cŃZ`K I qW^om`m` msukē- msiḂY Avmtbi gwjv m`m`tK wbtq GKtĀ I qW^omfvi
mfvi AvnYvb Ki teb Ges Gj wRGmnc:2-Gi eivl Ges Ab`vb` eivl m`útk^o
RbmvariY tK AewN Ki teb| Zivov cwi Kí bvi cūuqv Ges eivl KZ A`e`tqi
thvM`Zv I A`thvM`Zvi msiḂY evL`v cŃvb Ki tZ nte|

Gj wRGmxc:2-Gi Avl Zvq MwZ I qvW©KugwU G mfvi c0qvRbxq mrvqZv c0vb Kite| G mfvi DfIk` n4"Q IqvW©chfqi Dbqbb cwi Kí bv c0Z Ges AM0aKvi wbiycY, BDwbqbb cwi l4` Dc`vcb Kiv, hv4Z Zv BDwbqbb Dbqbb cwi Kí bvq `vb cvq IqvW© mfvi tbnUk c4eB Rwi Ki4Z n4e Ges `vbxq RbmaviY4K mfvq Dcw`Z `vKvi Rb` Ab4iva Kite hv4Z Zviv Zv4`i BDwbqbbi c0weZ Dbqbb Pwin`v wPwyZ Ki4Z cv4i | BDwbqbb cwi l` cAewil R cwi Kí bv c0Yqb Kite| c0g eQi Ges cieZPeQimg4n th mKj w`g ev`emqZ n4e Zv cAewil R cwi Kí bvq D4j E `vK4e| w0Zxq erm4i cAewil R cwi Kí bv m44krab Kiv n4e Ges ewil R cwi Kí bv c0YxZ n4e RbM4Yi Pwin`v I AM0aKvi wetePbv K4i |

IqvW©mfvq IqvW©KugwU mefZ4K tP0v P4j v4e hv4Z Iqv4W© Awak msL`K gv44i gZvgZ M0Y Kiv m4e nq Ges mfvq Dcw`wZi cwi gvY Iqv4W© tgvU t4vUvi 5 kZv44ki Kg bv nq| Iqv4W© msiw4jZ Avm4bi wbe4PZ gw4jv m`m` H Iqv4W© b4ix mgv4Ri gZvgZ Dc`vcb Kivi welq4U wbu0Z Ki4eb| IqvW©mfvi gj mfv Ab4v4bi c4e4Kej gw4jv4`i Rb` GKwU c`K mfv Avn4vb Kiv th4Z cv4i | Gi ci gw4jv4`i c0ve Ges AM0aKvi mgn gw4jv m`m` IqvW©mfvi mfvq Dc`vcb Ki4eb|

IqvW©mfvi c0ZwU mfvq w`g c0vemgn, w`4gi AM0aKvi mgn Ges ev`evq4thwM` w`g wPwyZ Kiv n4e| AskM0Ygj K cwi Kí bv c04qvq wbgew4Z chf4,t4jv Ab4niY Ki4Z n4e:

cwi Kí bv □ chf4 - 1

IqvW©mfvi c0wZgj K KvR

- AskM0Ygj K cwi Kí bvi c0g c`44c n4"Q BDwbqbb cwi l4`i mfvq mgqm4P wba4 Ymn IqvW©mfvi mfv Ab4v4bi w4xv4S-M0Y Kiv|
- IqvW©mfvi cwi Kí bv Awatekb Av4qvR4bi Rb` IqvW©chf4q KugwU MVb Kiv|

cwi Kí bv □ chf4 - 2

c0w4K Z` msM0h

- GjvKvi Ae`v Ges Awaevm44`i Rxebhv4vi Dci wfiE K4i t0vU t0vU `j 0viv Dbqbb Pwin`v wbiycY Ki4Z n4e|
- mvgw4RK gvbwP4, c0Z`4j Aet4vKb, m4444`i tkY4KiY Ges Av4jvPbv Awatekb BZ`w` Dcv`vb e`envi K4i GjvKvi Pwin`v wbiycY Kiv|
- AskM0Ygj K cwi Kí bvi Dci wfiE K4i `vbxq Pwin`vi AM0aKvi wbiycY Kivi Rb` c0w4K Z` msM0ni di4gU e`envi Ki4Z n4e|
- t0vU t0vU `4j i msM4xZ AM0aKvi welq4,t4jvi Zw4j Kv Kivi Rb` GKwU di4gU e`envi Ki4Z n4e| AZtci me4,t4jv GKw4Z K4i IqvW©mfvi mfvq Dc`vcb Ki4Z n4e|
- cwi Kí bv c04qvKiv4i Rb` GKwU WwU4teBR Dbqbb Kiv th4Z cv4i |

cwi Kí bv □ chġ - 3

I qvW^omfvi mfv

- BDġbqb cwi l` I qvW^oKuġuġk G gġg^obt` R t` te Zviv thb gvBġks, XvK wcuġtq, wj dtġ U weZiY Kti, tbwġk w` ġq, AvgšȳcĬ BZ`w` i gva`ġg Kgctġ mvZ w` b cte^oI qvW^omfvi weġtq cPvġi hġ_vchȳ e`e`v MhY Kti | tKvimg nġ qvi Rb` I qvW^omfvq I qvW^oP ġgvU tFvUvi msL`vi Kgctġ 5% Dcw`Z _vKġZ nte |
- BDġbqb cwi lġ i tPqvi g`vb I qvW^omfvi mfv Abġvb wbu^oZ Kiteb Ges msġkē I qvW^oP m`m` G mfvq mfv^oZZ; Kiteb |
- Lmov Dbġb cwi Kí bv I Kg^owi Kí bv I qvW^omfvq Dc`vcb Kiv nte | th tKvġbv aiġbi mstġvRb, cwi eZ^o, Dbġb Aek`B cKvġk` Avġj vPbv Kti wbaġY KġZ nte |

cwi Kí bv □ chġ - 4

BDġbqb Dbġb cwi Kí bv

- I qvW^ochġq mKj c^ove GKwĬZ Kti tm±i wFwĬEK tkiw^oeb`vm Kiv nte | thgb: AeKvVġgv, Kwl, `ġ`, wKġv, Lvevi cwġb I m`wbġUġkb, μxov I ms`wZ, bvi xi ġġgZvqb, wki I hġ m^ouġkZ weġqvej | cwi Kí bv Kuġuġ c^ovemg^o chġj vPbv I mġcwi ġki Rb` msġkē`vqx KuġuġZ t^oY Kite |
- `vqx Kuġuġ I qvW^omfvi AMġaKvi Zvwj Kv Ges m^out` i c^oc`Zvi Dci wFwĬ Kti GKwĬ AMġaKvi Zvwj Kv c^oZ Kite |
- cĀewl R cwi Kí bvi gġa` w`g^oġj vġK ermi I qwi c^ok^o KġZ nte | c^og ermtġi w`g^oġj vġK cwi Kí bvi gġa` c^oġgKfvte m^ove` e`qm^on Dġj b-KġZ nte |
- GKwĬ cwi cY`cĀewl R cwi Kí bv msġkē`vqx Kuġuġi mġcwi kmn cwi Kí bv Kuġuġ BDġbqb Dbġb mgšġ KuġuġZ Avġj vPbvi Rb` AZtci BDġbqb cwi lġ Abġgv`ġbi Rb` tck Kite |
- BDġbqb cwi l` Zvi m^ovaviY mfvq cĀewl R cwi Kí bv Abġgv`b Kite | cwi Kí bvq AšF^o w`gm^ogn Abġgv`ġbi mgq BDġbqb cwi l` 5wĬ weġq weġepbvq ivLte:
 1. `wi`^o n^oġm w`gm^ogn^o Ae`vb |
 2. w`gm^ogn^o m^ojeav^of^oMxi msL`v
 3. bvi x, wki I Ab`vb` c^ovrc` tMv^oxi mġġ
 4. Abġj m^ogv^oRK Ges cwi ġekMZ c^ove
 5. `vbxq chġq ev`evqġbi tġġĬ Kwi Mwi I Ab`vb` mġġgZv
- cĀewl R cwi Kí bvi Dci wFwĬ Kti cĬZeQi I qvW^omfvi mfvq Avġj vPbvi wFwĬ^oZ GKwĬ ewl R cwi Kí bv c^ovq^o KġZ nte |

cwi Kí bv □ chġ - 5

cĀewl R cwi Kí bv Ges ewl R cwi Kí bv Rbmgġġ cKvk

- cĀewl R cwi Kí bv Ges ewl R cwi Kí bv Abġgv`ġbi ci Zv BDġbqb cwi lġ i tbwġk tevW^o I qvW^oP Ab`vb` ġi`ZcY^o`vb, Gj wRGm^oc:2-Gi I ġqemvBU

- BZ'w' tZ cKvk Ki tZ nte | cwi Kí bvi GKwU mdu Kwc BDwbq b cwi l t i K w u DU v t i m s i ¶ Y Ki t Z n t e | Ges m K t j i R b " D b ¶ i v L t Z n t e |
- o cAewl R cwi Kí b v Ges ewl R cwi Kí b v A b t g v ` t b i w e l t q R b M Y t K A e w n Z K i v i R b " l q w W K i g u l l q w W c h t q m f v i A v t q v R b K i t e |
 - o cwi Kí b v i G K w U K w c D c t R j v c w i l t ` t c Ø Y K i t Z n t e h v t Z D c t R j v i c A e w l R c w i K í b v M b t Y i m g q Z v m n v q K n t Z c v t i |

3.2. ev t R U (` v b x q m i K v i (B D w c) A v B b 2009-Gi a v i v 57)

- (1) c Ø Z " K B D w b q b c w i l ` c Ø Z A _ e r m i " i i " n l q v i A b ` b 60 (l v U) w ` b c t e ° w b a ¶ i Z c x u Z t Z l q w W m f v n t Z c Ø B A M Ø a K v t i i w f w E t Z D ³ A _ e r m t i i m ¶ t e " A v q l e " q w e e i Y x m ¶ t j Z G K w U e v t R U c Ø q b K i t e |
- (2) B D w b q b c w i l ` m s i k e - ` v q x K i g u l G e s ` v b x q R b m v a v i t Y i D c w ` w Z t Z c K v k " e v t R U A w a t e k b A b p v b K t i e v t R U t c k K i t e G e s c w i l t ` i c i e Z P m f v q c v m K Z e v t R t U i A b j j w c D c t R j v w b e ¶ n x A w d m v i t i i w b K U t c Ø Y K i t e |
- (3) t K v t b v B D w b q b c w i l ` A _ e r m i " i i " n l q v i c t e ° D ³ e v t R U c Ø q b K i t Z e " _ ° n t j m s i k e - D c t R j v w b e ¶ n x A w d m v i m ¶ t e " A v q e " t q i G K w U w e e i Y x c Ø Z l c Ø q b K i t e G e s G i f c c Ø q b K Z w e e i Y x B D w b q b c w i l t ` i A b t g w Z e v t R U e t j M Y " n t e |
- (4) D c t R j v w b e ¶ n x A w d m v i e v t R t U i A b j j w c c Ø B i 30 (w l k) w ` t b i g t a " e v t R t U t K v t b v I w U _ v K t j Z v m s t k v a b K t i c w i l ` t K A e w n Z K i t e b G e s A b j f c f v t e c Ø x Z e v t R U B D w b q b c w i l t ` i e v t R U e t j M Y " n t e |
- (5) t K v t b v A _ e r m i t k l n l q v i c t e ° h t K v t b v m g q D ³ e r m t i i R b " c Ø q v R b n t j B D w b q b c w i l ` m s t k w a Z e v t R U c Ø q b K t i e v t R t U i A b j j w c D c t R j v w b e ¶ n x A w d m v i t i i w b K U t c Ø Y K i t e G e s D ³ m s t k w a Z e v t R t U i t ¶ t ¶ t l (4)- G i w e a v b v e i j c Ø h v R " n t e |
- (6) B D w b q b c w i l ` ` w q Z i f v i M b t Y i c i A _ e r m t i i A e i k ó m g t q i R b " e v t R U c Ø q b K i t Z c v i t e G e s D ³ e v t R t U i t ¶ t ¶ t l G w e a v b v e i j c Ø h v R " n t e |

3.2.1. ev t R U c Ø q b

A _ e Q i " i i " i K g c t ¶ 60 w ` b c t e ° B D w b q b c w i l ` G K w U m y b w ° Ø d i t g t m e Q t i i m ¶ t e " A v q l e " t q i G K w U w e e i Y x c Ø Z K i t e | l q w W m f v t _ t K A M Ø a K v i w b i f c Y K t i t c Ø i Z w ` t g i Z v i j K v i w f w E t Z m ¶ t e " e " q w e e i Y x c Ø Z n t e | G U v n t e B D w b q b c w i l t ` i e v t R U |

B D w b q b c w i l ` G K w U D b ¶ e v t R U A w a t e k b A v t q v R b K t i t m L v t b ` v q x K i g u l i m ` m " G e s R b m v a v i t Y i D c w ` w Z w b w Ø Z K t i e v t R U D c ` v c b K i t e | B D w b q b c w i l t ` i m f v q e v t R U A b t g v ` t b i c i Z v D c t R j v w b e ¶ n x A w d m v i e i v e t i t c Ø Y K i t e |

h w t K v t b v B D w b q b c w i l ` A _ e Q i " i i " i c t e ° Z v i e w l R e v t R U c Ø q t b e " _ e n q Z v n t j m s i k e - D c t R j v w b e ¶ n x A w d m v i B D w b q b c w i l t ` i R b " G e Q t i i m ¶ t e " A v q e " t q i

GKwU weeiYx cŕZ Kiŕeb, cŕZ qb Kiŕeb | GUv H BDwbqŕbi Abŕgwm Z evŕRU etj MY nŕe |

BDwbqŕb cwil` t_ŕK evŕRU cŕBi ci DcŕRj v wbeŕx Awdmvi 30 w`ŕbi gŕa` tKvŕbv AmsMwZ _vKŕj Zv mŕŕkvab Kŕi BDwbqŕb cwil` tdi Z cwVŕeb | BDwbqŕb cwil` Zvi evŕRŕUi mŕŕkvab mŕúŕK AewNZ nI qvi ci Zv Abŕgwm Z evŕRU wntŕmŕe MŕY Kiŕe | A_eQi tkl nI qvi cŕeŕh tKvŕbv mgŕq evŕRŕU tKvŕbv cwieZŕ Ri`wi etj cŕZxqgvb nŕj Zv mŕŕkvab Kŕi BDwbqŕb cwil`, DcŕRj v wbeŕx Awdmvŕi i wBKU tŕŕY Kiŕe |

3.2.2. Dbŕŕ evŕRU mfvi

cŕZ`K BDwbqŕb cwil` cŕZ eQi ig gvŕmi tkl w`ŕK GKwU Dbŕŕ evŕRU mfvi AvŕqvRb Kiŕe | IqWŕchŕŕq Gwŕŕ gvŕmi gŕa` IqWŕmfvq RbAskMŕŕYi wŕwŕŕZ cwil` bŕ I evŕRU cŕZ mŕúbrKŕŕZ nŕe | BDwbqŕb cwil` i Dbŕŕ evŕRU mfvi cŕeŕ wŕŕgŕwŕŕ c`ŕŕc MŕY KiŕŕZ nŕe :

- IqWŕmfv t_ŕK cŕB cwil` bŕ wetePbvq tiŕL GKwU Lmov evŕRU cŕŕqb KiŕŕZ nŕe |
- gvBwKs, tXvj, Avgŕŕcŕ, wj dtj U, tŕwUK teWŕBZ`w` i gva`ŕg Dbŕŕ evŕRU mfvi e`vcK cŕvi KiŕŕZ nŕe |
- BDwbqŕb cwil` i Awdm cŕŕZ, ŕg cŕŕZ A_ev tLj vi gvŕvi gŕZv Dbŕŕ RvqMvq Dbŕŕ evŕRU mfvi AvŕqvRb KiŕŕZ nŕe |
- AskMŕYKviŕŕ i Rb` emvi chŕŕ e`v ivLŕZ nŕe |
- ceŕZŕ evŕRŕUi gŕa` evŕRU mfvi LiŕPi ms`vb ivLŕZ nŕe | BDwbqŕb cwil` tK AskMŕYKviŕŕ i Rb` Lveŕŕi eŕ`ve`-ivLŕZ nŕe hvŕZ evŕRU mŕúŕK`we`wi Z Ges cYŕŕ Avŕj vPbv mŕe nq |
- `vbxq msev`cŕ I Ab`vb` cŕvi gva`gŕK evŕRU Awŕekŕb Avgŕŕ RvŕŕZ nŕe |
- Abŕgwm Z evŕRU cŕnj v Rŕbi gŕa` DcŕRj v wbeŕx Awdmvŕi i wBKU tŕŕY KiŕŕZ nŕe |

evŕRU mfvi KgŕŕP

- evŕRU mfviq BDwbqŕb cwil` i tPqvi g`vb mfvcwZZi Kiŕeb |
- cŕvb AwZw` Ges weŕkl AwZw`MY mfviq Avmb MŕY Kiŕeb |
- tKvi Avb, MxZv, evBŕej cŕŕZ agŕŕ Mŕŕ t_ŕK cv Kiv nŕe |
- tPqvi g`vb `MZ fvIY t`ŕeb |
- AskMŕYKviŕŕ i gŕa` evŕRŕUi Lmov Kwc weZiY Kiv nŕe |
- BDwbqŕb cwil` i mwPe MZ eQŕi i cŕKZ Avq-e`q, eZŕvb eQŕi i evŕRU ev`evqŕ AMŕwZ Ges AvMvgx eQŕi i cŕweZ Lmov evŕRU Dc`vcb Kiŕeb |
- AskMŕYKviŕŕ i evŕRŕUi Dci Avŕj vPbvq AskMŕŕYi Rb` Avnŕvb Rvŕŕbv nŕe | Zvi vweMZ eQŕi i evŕRU ev`evqŕbi Dci I cŕkŕKiŕŕZ cvŕi |
- Avŕj vPbv-chŕŕj vPbvi wŕwŕŕZ cŕweZ evŕRŕU cŕŕqRbxq cwieZŕ, cwieaŕ, mŕŕkvab, mŕŕhvRb, weŕqvRb BZ`w` Kiv nŕe |
- BDwbqŕb cwil` tPqvi g`vb evŕRU Awŕekŕb GKwU cŕkŕŕi cŕeŕ AvŕqvRb Kiŕeb |

- AskMhYKvi x` i tK evfRU Awatekb m`utK`Zt` i AbfWZ cKvtki Rb` AvnYvb Rvbtbv nte|
- AwZw_e` e`e` ivLte|
- tgavex QvI, D`ebx K.I.K, mehaK e`t`ivcYKviX, mehaK Ki`vZv, wbcqgZ Ki`vZtK c`Yv` bv A_ev cj`vi c`vb|
- mvs`wZK Abpvtbi AvtqvRb Kiv hvq|
- mfvwZ KZK ab`ev` Avcb|

3.2.3. evfRU cYqtb „i“ZcY`eteP” wel qmgn

- evfRU Aek`B mi Kvi wba`i Z ditg`Zwi Ki tZ nte|
- ce`ZPeQi mgtni Avq I e`tqi aviv wetePbvq ti tL evfRU`Zwi Kiv nte|
- evfRU Ggbfvte Ki tZ nte hvz A_`eQi tk tI wKozA_`D0Z`vtK|
- evfRU`Zwi Kivi mgq wetePbvq ivL tZ nte thb, bvi xi` gZvqb wki t` i I hpeK t` i Kj`vY, c`ZeUx I e`M t`Yi Rb` h`o eivI` vtK|
- w`g wfvEK ev tm`i wfvEK evfRU c`Z Kiv nte|
- c`wKZ Avtqi Awak e`q evfR tU cwi`wKZ nte bv| hw` tKvtbv Kvi tY Avtqi t` tK e`q teik cwi`wKZ nq, Zvntj Zvi Kvi Y ej tZ nte| AZ:ci Avq ep`xi D t` wM wbtZ nte|
- c`Z 4 gym Aš t` GKevi evfRU ch`j vPbv Ki tZ nte|

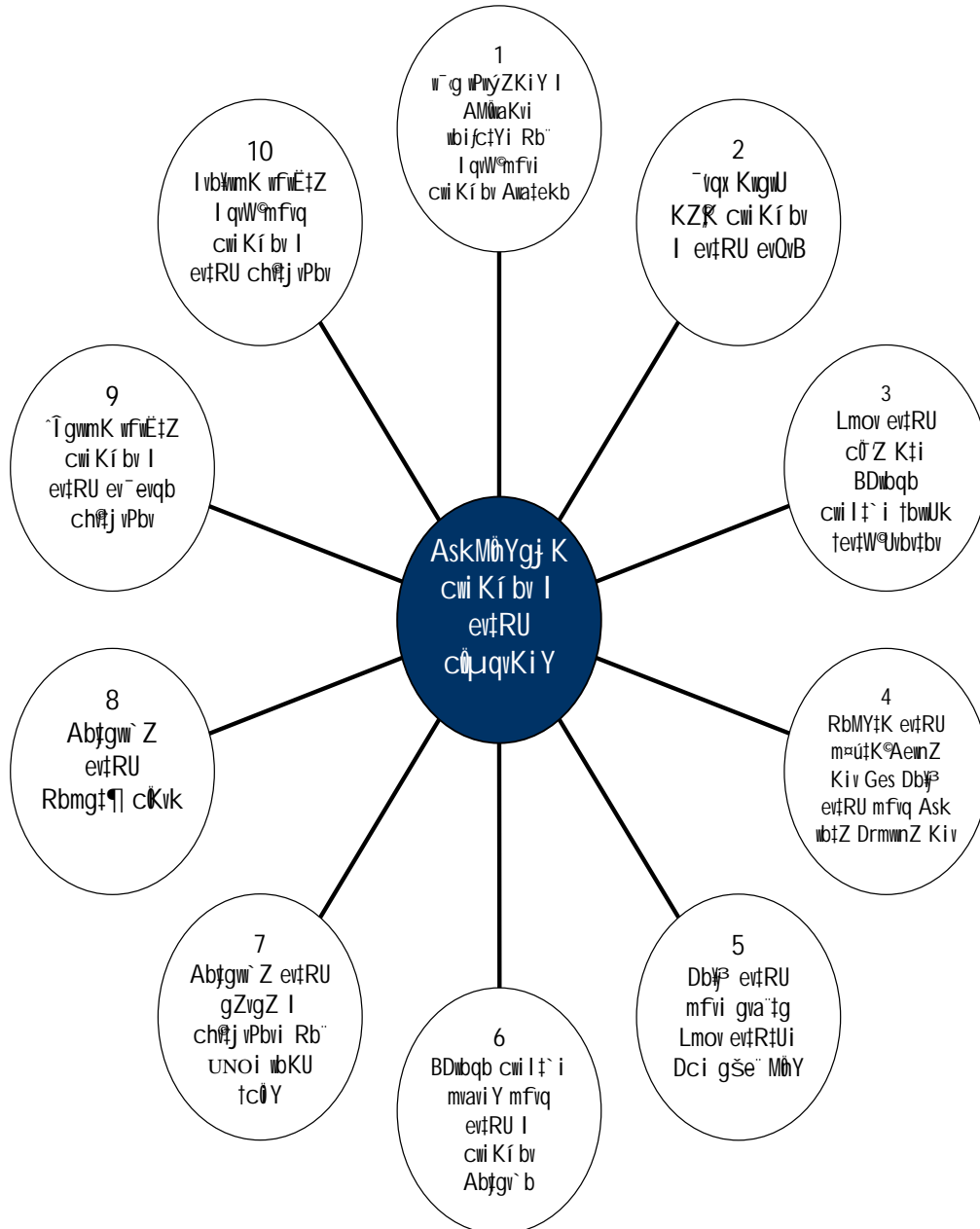
3.2.4. BDwqb cwi I` KZK evfRU Abtgv` b

BDwqb cwi I` i evfRU Abtgv` tbi mfv nte GKw wtkl „i“ZcY`mfv| BDwqb cwi I` tPqvi g`vb wtkl mfv wntmte G mfv AvnYvb Ki t`eb| BDwqb cwi I` m` m` t` i wku mfv i t`wU tki mvt` Lmov evfRU t`Y Kiv nte| mfvq Lmov evfR tUi Dci w`wii Z Avtj vPbv Kiv nte Ges msL`vMii t`oi t`fvU evfRU Abtgv` b nte| Abtgvw` Z evfRU Dc tRj v wbe`fx Awdmv t` i wku ch`j vPbv I gZvgt`Zi Rb` t`Y Kiv nte| Dc tRj v wbe`fx Awdmvi evfR tUi Abj w c v l qvi 30 (w` k) w` tbi g`ta` evfR tU tKvtbv I` wU` vK t`j Zv mst`krab K t`i cwi I` tK AeinZ Ki te hv BDwqb cwi I` i evfRU etj MY` nte| tKvtbv BDwqb cwi I` A_`eQi` i i` nevi c`te`evfRU cYqb Ki tZ e`_`ntj msik`-Dc tRj v wbe`fx Awdmvi m`te` Avq-e`tqi GKw weei Yx c`Z I c`Z`qb Ki te c`Z`qbKZ weei Yx BDwqb cwi I` i Abtgvw` Z evfRU etj MY` nte| Abtgvw` Z evfRU BDwqb cwi I` i t`wUk teW` I qv`W` „i“ZcY``v`b Uwi t`q t` I qv nte|

3.2.5. evfRU ev`evqb I gubUwi s

wbtPi GKw wP t` cwi K i bv I evfRU c`Z, ev`evqb I gubUwi s c`p`qv t` Lv t`bv ntqtQ| evfR tUi mdj ev`evqb wbf` K t`i evfRU ev`evqb gubUwi s-Gi Dci| c`Z Oq gym Aš t` Kgct` GKevi evfRU ev`evqb ch`j vPbv Ki tZ nte I qvW`mfvi gva`tg| I qvW` mfvq evfRU ev`evq tbi AMwZ ch`j vPbv Ki tZ nte| c`qvRb ntj Abtgvw` Z evfRU c`wetePbv Kiv nte| GQvov A_` A wU w`l qK` v`qx KigwU` t` gwimK wfvE tZ BDwqb ch`q mfvq evfRU ev`evqb m`utK`Avtj vPbv Ki te|

WPI



3.2.6. I qvW[®]mfvq Pwn`wfvEK w`dgi Zwj Kv ^Zwi I AM[®]naKvi KiY wbtg[®] c^xwZ AbmiYceR BDwbq cwi l`mgfni eiv[®]KZ A[®]e`envi Kti w`gmg ev`evq[®]bi c`t[®]lc wbtZ nte:

(K) t_vK eiv[®] wba[®]Y:

- ❖ tgšwj K t_vK eiv[®] eve` 2 wk^w-GKmv_t eiv[®]KZ G At_p AšZ 30% A[®]gunj v[®] i šv^v AM[®]naKvi c[®]B w`g ev`evq[®]bi Rb[®] e`q Ki[®]tZ nte;
- ❖ tgšwj K t_vK eiv[®] (BBG) I `ŋZv wfvEK eiv[®] (PBG)-Gi mte[®]P 10% A[®]mŋgZv ep^x ms^uvš-Kv^tR c[®]v^bZ w`g ^Zwi i Rb[®] c[®]q^vRbxq mnvqZv, mj ŋ^v e`e`vmgⁿ, wnmvei ŋ^vY, BDwbq ch[®]qi Z[®]w[®] K^wu[®]DUv[®]i G^wU[®] BZ[®]w[®] Kv^tR e`e[®]U[®] nte| G[®]ov[®] gunj v Db[®]q[®] t[®]dv[®]g[®]t[®]K mnvqZv c[®]v[®]b, c[®]k[®]ŋ[®]Y, cv[®]i[®] ū[®]i K wk[®]L[®]b Ges Ab[®]v[®] w[®]b[®]i[®] ō[®] `ŋZv ep^x mnvqZvq e`q Kiv hv[®]t[®]| 10% A[®]D[®]t[®] w[®]Z t[®]ŋ[®]t[®] e`q bv ntj w`g ev`evq[®]bi e`q Kiv hv[®]t[®]|

(L) I qvW[®]mfvq Pwn`wfvEK w`dgi Zwj Kv I AM[®]naKvi KiY:

- ❖ I qv[®]W[®]P 5% t[®]fv[®]U[®]t[®]i (bvix, cj`l, c[®]ö[®]rc[®], c[®]Ze[®]Ü[®]) Dc^w w[®]Z[®]t[®] I qvW[®]mfv Ki[®]tZ nte| mfvq mg[®]M[®]l qv[®]W[®]P Rbm[®]v[®]i[®] t[®]Yi mte[®]P Ask[®]M[®]h[®]Y w[®]b[®]ö[®]Z Ki[®]tZ nte|
- ❖ ms[®]k[®]é-I qvW[®]g[®]v[®]i G mfvq mfv[®]c[®]w[®]Z[®]Z[®]i Ki[®]t[®]eb|
- ❖ mfv Av[®]t[®]q[®]v[®]R[®]t[®]bi c[®]te[®]m[®]f[®]v[®]i Zwi L t[®]N[®]v[®]I[®]Y[®] Ki[®]tZ nte|
- ❖ bvix[®] i gZ[®]v[®]gZ[®]m[®]g[®] I qvW[®]mfvq Rv[®]b[®]t[®]b[®]i D[®]t[®] v[®]M wbtZ nte
- ❖ BDwbq cwi l` t[®]P[®]q[®]i[®]g[®]v[®]b[®]t[®]K c[®]v[®]b Aw[®]Z[®]w[®] w[®]nt[®]m[®]te Avg[®]S[®]Y Kiv t[®]t[®]Z cv[®]t[®]|
- ❖ Ask[®]M[®]h[®]Y[®]g[®]j[®] K cwi K[®]i[®] b[®]v[®]i G av[®]t[®]c I qvW[®]mfv[®]i g[®]v[®]a[®] t[®]g Pwn`wfvEK w`dgi Zwj Kv ^Zwi I AM[®]naKvi wba[®]Y Ki[®]tZ nte|

(M) t_vK eiv[®] e`envi Kti ev`evq[®]bi th[®]M[®] LvZ/w`dgi Zwj Kv:

<p>th[®]M[®]t[®]h[®]M[®]</p> <ul style="list-style-type: none"> <input checked="" type="checkbox"/> M[®]t[®]gi i[®]v[®]w[®]mg[®] w[®]b[®]g[®]ŋ[®] /c[®]p[®]w[®]g[®]ŋ[®] Kiv <input checked="" type="checkbox"/> w[®]e[®] g[®]v[®] i[®]v[®]w[®]mg[®] i[®]ŋ[®]Y[®]v[®]te[®]ŋ[®]Y Kiv <input checked="" type="checkbox"/> K[®]v[®] f[®]v[®]U[®]w[®]g[®]ŋ[®] Kiv <input checked="" type="checkbox"/> w[®]e[®]R[®]/d[®]U[®] f[®]v[®]i w[®]e[®]R[®] w[®]b[®]g[®]ŋ[®] Kiv <input checked="" type="checkbox"/> M[®]t[®]gi i[®]v[®]v[®]e[®] m[®]t[®]Ki Dci c[®]w[®]b w[®]b[®]v[®]k[®]b t[®]W[®]B[®]b w[®]b[®]g[®]ŋ[®] Kiv <input checked="" type="checkbox"/> hv[®]Ť[®]x Q[®]v[®]D[®]w[®] 	<p>ŋ[®]</p> <ul style="list-style-type: none"> <input checked="" type="checkbox"/> M[®]ö[®]x[®]Y ŋ[®]ŋ[®]t[®]K[®] w[®]b[®]g[®]ŋ[®] ev[®] c[®]p[®]w[®]g[®]ŋ[®] <input checked="" type="checkbox"/> ŋ[®]ŋ[®] m[®]t[®]P[®]Z[®]b[®]Z[®]v, c[®]wi[®] evi[®] c[®]wi[®] K[®]i[®] b[®]v, Rb[®]ŋ[®] Ges c[®]wi[®]v[®]i c[®]wi[®]Ö[®]b[®]Z[®]v Aw[®]f[®]h[®]v[®]b c[®]wi[®]P[®]j[®] b[®]v Kiv <input checked="" type="checkbox"/> ŋ[®]ŋ[®] t[®]K[®]t[®]ŋ[®] i[®] Rb[®] J[®]l[®]a[®] m[®]i[®]e[®]i[®]v[®]n <input checked="" type="checkbox"/> ŋ[®]ŋ[®] t[®]K[®]t[®]ŋ[®] i[®] D[®]c[®]K[®]i[®]Y m[®]i[®]e[®]i[®]v[®]n <input checked="" type="checkbox"/> L[®]É[®]K[®]v[®] x[®]b ŋ[®]ŋ[®] K[®]g[®]x[®]ŋ[®] t[®]e[®]Z[®]b
<p>c[®]w[®]b m[®]i[®]e[®]i[®]v[®]n</p> <ul style="list-style-type: none"> <input checked="" type="checkbox"/> w[®]e[®]M[®]Z 10 e[®]Q[®]t[®]i i[®] e[®]b[®]v[®]ŋ[®] i[®] E[®]t[®]a[®]i[®]ö[®]v[®]b[®]x[®]q Rb[®]m[®]t[®]Yi Rb[®] c[®]w[®]b m[®]i[®]e[®]i[®]v[®]t[®]ni j[®]t[®]ŋ[®] b[®]j[®] K[®]e ŋ[®]v[®]c[®]b Kiv <input checked="" type="checkbox"/> ŋ[®]ŋ[®]ŋ[®] m[®]g[®]v[®]R[®]w[®]f[®]v[®]E[®]K c[®]w[®]b m[®]i[®]e[®]i[®]v[®]t[®]ni Rb[®] c[®]v[®]Bc ŋ[®]v[®]c[®]b Kiv <input checked="" type="checkbox"/> Si[®]b[®]v[®]i c[®]w[®]b m[®]s[®]M[®]h[®] Kiv <input checked="" type="checkbox"/> c[®]w[®]b[®]i m[®]s[®]i ŋ[®]ŋ[®]Y[®]v[®]i w[®]b[®]g[®]ŋ[®] 	<p>w[®]k[®]ŋ[®]</p> <ul style="list-style-type: none"> <input checked="" type="checkbox"/> w[®]k[®]ŋ[®] c[®]ö[®]Z[®]ö[®]t[®]bi m[®]s[®]v[®]i, w[®]b[®]g[®]ŋ[®], c[®]p[®]w[®]g[®]ŋ[®] <input checked="" type="checkbox"/> c[®]ö[®]w[®]g[®]K w[®]e[®]ŋ[®]v[®] t[®]q Av[®]m[®]e[®]v[®]e[®]c[®]Ť m[®]i[®]e[®]i[®]v[®]n <input checked="" type="checkbox"/> w[®]k[®]ŋ[®] D[®]c[®]K[®]i[®]Y ŋ[®] <input checked="" type="checkbox"/> w[®]k[®]ŋ[®] m[®]t[®]P[®]Z[®]b[®]Z[®]v c[®]ö[®]v[®]i Y[®]v K[®]g[®]m[®]P

<p>c0KwZK m=ú` e`e`vcbv</p> <ul style="list-style-type: none"> <input checked="" type="checkbox"/> mvgwRK ebrqb KgfñP <input checked="" type="checkbox"/> fig 9lq c0Ztvtai Dfñk` AeKwVtgv vbgfY <input checked="" type="checkbox"/> c0KwZK m=ú` e`e`vcbv vel qK c0k9Y 	<p>Kwi Ges evRvi</p> <ul style="list-style-type: none"> <input checked="" type="checkbox"/> Mewi`ci`i wJKv`vb tK`v`vbgfY <input checked="" type="checkbox"/> evRvti`i tUvj Ni ev OvDwb vbgfY <input checked="" type="checkbox"/> mefvavi tYi e`envh9mP mjeavi e`e`v Kiv <input checked="" type="checkbox"/> Dbz Pvlvevt`i Dci Kwi Mwi c0k9Y
<p>cqtub9vkb Ges eR9e`e`vcbv</p> <ul style="list-style-type: none"> <input checked="" type="checkbox"/> cqtub9vktbi mthM mjeavi Rb` cqtclvuj vbgfY <input checked="" type="checkbox"/> cqtub9vkb m=ú`K9MYmtPZbZv c0vi AvFhvb cwi Pj bv <input checked="" type="checkbox"/> evtqM`vm 	<p>gvbe m=ú` Dbqb</p> <ul style="list-style-type: none"> <input checked="" type="checkbox"/> bvi x Dbqb l bvi xt`i AvZf Kgfñs`vbgj K wk9Y <input checked="" type="checkbox"/> `y`i Rb` Avqev9 c0k9Y <input checked="" type="checkbox"/> `wi`9heK l he gunj vt`i Rb` 9Zvev9 c0k9Y <input checked="" type="checkbox"/> `wi`9heK l he gunj vt`i Rb` Z`c9y9 c0k9Y <input checked="" type="checkbox"/> BDwbq Z`tk9`i Rb` mnvqZv <input checked="" type="checkbox"/> Z` l c9y9 i Dbqb

3.3. AwWU

3.3.1. AwWUiMtYi 9lgZv

thñZi BDwbq cwi l` GKwU miKwi c0Z0vb Ges Gi A_9qb nq miKwi LvZ t_9K Ges e`q miKwi weveavb 0viv cwi Pwj Z nq tmñZi Gi wmwve l Znvej miKwi wbañi Z miKwi AwWUi ev temiKwi AwWU dvg9viv AwWU ntZ nte|

`vbxq miKwi (BDwbq cwi l`) AvBb 2009-Gi 59 aviv gtZ AwWU m=ú`brñl qvi ci AwWUi vbgew9Z vel t9 Zvi AbymÜvbgj K gZvgZmn Lmov AwWU wi tcvU9 wLj Ki ðeb:

- o Znvej Zmi`d ev AvZ9mvtZi NUbv
- o BDwbq cwi l` i Znvej Ace`envi l 9wZ
- o AwWU e`e`vcbvi Anbqg
- o tKv9bv Anbq9gi m9½ c0`9 ev ctiv9fvte h9 e`w9 ev e`w9 etMP bvg|

AwWUi BDwbq cwi l` i m9½ Avtj vPbv Kti GKwU Pei9-AwWU wi tcvU9`Zwi Kti BDwbq cwi l` t0Y Kti Gi GKwU Kwc `vbxq miKwi wefv9M t0Y Ki ðeb| `vbxq miKwi wefv9Mi hM9m9Pe/Dcm9Pe (AwWU) AwWU wi tcvU9`c0c` nteb|

AwWUi KZ9 c0E AwWU wi tcvU9`ew9Z Anbqg m=ú`K9BDwbq cwi l` c0qvRbxq e`e`v M9Y Kti Anej t9^GKwU eWmxU Reve `vbxq miKwi wefv9Mi hM9m9Pe/Dcm9Pe (AwWU)-Gi vbKU t0Y Ki ðeb|

AwWUi MY vbgew9Z vel q_9j v t` Lteb:

- o BDwbq cwi l` i Znvej Ges wmwve h_vh_fvte msi 9Y Kiv nt9Q wk bv?
- o BDwbq cwi l` `vbxq miKwi (BDwbq cwi l`) AvBb 2009 Abymvti Zvi A_9 tKv9bv e`v9tK Rgv nq wk9v Ges wmwve m9WKfvte msi 9Y Kiv nq wk bv?

3.3.4. Gj wRGmnc:2-Gi Avl Zvq AwWU

- cōZ eQi i AvM ÷ -włm ÷ gvtmi gta" BDwbqbw cwil`mgnatK `vbxq mi Kvi wefvttMi mvt_ Pw³ ex AwWU dvg⁰viv AwWU Kiv nte|
- wōZxq Gj wRGmnc tZ Ašf³ i cieZ⁰eQi t_ tK AwWU dvgmgn BDwbqbw cwil t` i Awl_ R AwWttUi mvt_ BDwbqbw cwil`mgn mvgwRK Ges cwitkMZ mj ¶lv gvb eRvq ti tL tQ wK bv, μq mspvš-c×wZ h_vh_ fvtē cvj b Kti tQ wK bv, Db³ mfv Abp vb Ges h_vh_ fvtē Rbm vavi tYi Rb" Z_ Db³ Kti tQ wK bv, G we lqmgā hvPvB Ki te Ges cōZ te` t b D t j L- Ki te|
- BDwbqbw cwil t` i Rb" wbtq wRZ AwWU dvg⁰AwWttUi cvkvcwK BDwbqbw cwil t` i ` ¶Zv hvPvB Kv hērg cwil Pvj bv Ki te|
- cK t i PZL⁰eQi t_ tK BDwbqbw cwil`mgn `vbxq mi Kvi wefvM KZ R `xKZ AwWU dvg⁰wbtq w Kti `vbxq fvtē AwWU Kv hērg m³ubak i tZ cvi te|
- BDwbqbw cwil` AwWUi t` i tK ewl R Awl_ R weei Yx cō vb Ki te Ges AwWUi MY th mKj Z_ P v B tē (thgb: K`vkeB, wnmv tēi eB, μq mspvš-Z_, lqvW⁰ Ges BDwbqbw cwil t` i mfvmg tni Kv hēei Yx, lqvW⁰ Kw g wUi weir f b e Z_ BZ` w`), Zv mieivn Ki te|
- AwWUi MY cōqvR t b BDwbqbw cwil t` i m` m, lqvW⁰ Kw g wU/w` g Z E j eavb Kw g w Ges Rbm vavi tYi mvt_ Av t j v Pbv Ki tZ cvi te|
- AwWU cōZ te` b Pōvš Ki tYi cē⁰ AwWUi MY BDwbqbw cwil t` i mvt_ AwWU chē ¶Y dj v dj wbtq Av t j v Pbv Ki te| Dc t R j v chē ¶i Kg R Z t i mvt_ l AwWUi MY G ai tbi Av t j v Pbv Ki te|
- Pōvš-AwWU cōZ te` tbi GK w Kuc BDwbqbw cwil` tK cō vb Kiv nte| BDwbqbw cwil` m v Pe GK w we Ā w B v iv Rbm vavi Y t K AwWU cōZ te` tbi cōc` Zv m³ ut K⁰ AewZ Ki te|

BDwbqbw cwil` Rbm vavi tYi Dc w` wZ tZ Pōvš-AwWU w i tcvU⁰ Dc` vcb Ki te|

3.3.5. AwWU gZvg tZi wei` t x Awicj c×wZ

- AwWU gZvg tZi wei` t x Awicj Ki tZ ntj 30 w` tbi gta" BDbqbw cwil` tK Awic t j i Av tē` bmn mKj mrvqK bw_c l `vbxq mi Kvi wefvttM cvvtZ nte| Av tē` tbi Kuc Dccwi Pvj K `vbxq mi Kvi Ges Dc t R j v wbev x Awic mvt i i wBKU cvvtZ nte|
- Awic t j i Dci wfvē Kti gw chē ¶i cōZ te` tbi Rb" `vbxq mi Kvi wefvttMi c ¶ t_ tK Dccwi Pvj K `vbxq mi Kvi tK ` wq Z i t` l qv n t Z cv t i |
- Dccwi Pvj K `vbxq mi Kvti i cōZ te` b Ges Ab` vb" msnkē- Z_ / Dcv E (cōqvRb ntj AwWU w i w f D chē ¶ mvt_ Av t j v Pbv mvt c t ¶) Gi Dci wfvē Kti Awicj Mō t Y i 30 w` tbi gta" `vbxq mi Kvi wefvttMi c ¶ t_ tK BDwbqbw cwil` tK Awic t j i Pōvš- dj v dj Rv b t b v nte|

- h^{iv} Avicj c^oμ^ovi gva^{ig} weifc AvWU gZvgZ cwi eZ^o nq, Zte D³ BD^oiqb cwi l` cieZ^oeQ^oti Rb^o tg^oš^oij K t^ovK eivi c^oš^oBi Rb^o wetewPZ nte Ges H BD^oiqb^o Rb^o AvZ^owi³ AvW^ot^oUi c^oq^ovRb nte bv|
- * D^otj ^oth, BD^oiqb cwi l` Aek^oB AvWU Kvh^oš^oij mgw^oš^oi Qq gv^ot^omi g^ota^o mKj ai^ot^obi AvWU Av^oc^ow^oEi w^ob^oš^ouv^oE Ki^ote|

4. μq

4.1. μq m^oš^ouv^oK^oZ tg^oš^oij K avi Yv

4.1.1. μq e^oe^ovcb^ovi f^owgK^ov

weifb^oeDb^oq^obgj K Kvh^oš^oij gva^{ig} t^otki A^oš^owZK AM^oš^oWZ Zi^owš^oZ n^otq ^ov^ot^oK| ^owi^o ^ow^ob^oimb I Av^oš^omgw^oRK Db^oq^ot^obi j^ot^oš^o miKvi m^oš^o cwi K^oi^ob^ovi gva^{ig} AM^oš^oWZ^o Kvh^oš^oij w^oP^ov^oZ K^oti ^ov^ot^oK Ges Zv cieZ^oš^omg^otq weifb^oeDb^oq^o c^oK^ot^oi gva^{ig} ev^o-evq^ob Kiv n^otq ^ov^ot^oK| G mKj c^oK^ot^oi w^ob^otq^oMKZ A^oš^oš^ovi^o weifb^oe^ow^og ev^o-evq^ob Kiv n^otq ^ov^ot^oK| w^og mdj ev^o-evq^ot^obi Rb^o w^oš^oij Avl Z^ovq weifb^oe^oμq e^oe^ovq^o ^oQZv I Review^o w^onZv w^ob^oš^oZ Kiv GK^ovš^o-c^oq^ovRb| Avi m^ok^ov^ot^obi gj w^of^ow^oE^oB n^otj v^o ^oQ μq e^oe^ovcb^ovi|

ev^oš^ov^ot^ok miKvi B^otZv^og^ota^ovB μq c^oμ^oqv^o h^ot^oš^o ms^oš^ovi G^ot^ot^oQb Ges Gi dj^ov^odj w^ot^oš^ote 2003 m^ov^otj c^ove^oij K c^oμ^oDi^oš^oU ti ^otj kb 2003 b^ot^og MYL^ov^oZ μq e^oe^ov^o P^ov^oj y K^ot^oi b| cieZ^oš^omg^otq c^ove^oij K c^oμ^oDi^oš^oU G^ov^oš^o-2006 b^ot^og MYL^ov^oZ μq m^oš^ouv^oš^o-AvBb Ges GiB c^oq^oM w^ot^oš^ote c^ove^oij K c^oμ^oDi^oš^oU i^oj m-2008 b^ot^og MYL^ov^oZ μq we^ov^og^ov^ov P^oevš^o-K^ot^oi^oQb| G Kvh^oš^oij D^ot^oi k^o n^otj v^o MYL^ov^oZ e^ow^oZ A^ot^oš^o m^oš^oen^ot^oi gva^{ig} w^ob^otq^ot^oMi m^odj j^ov^o w^ob^oš^oZ Kiv| G Ac^ov^ot^oi kb^ovj g^ov^ob^otq^otj Gj w^oRG^om^oc:2-Gi Avl Z^ovq BD^oiqb cwi l` KZ^oš^o M^oš^oxZ weifb^oe^ow^og ev^o-evq^obK^ov^otj gv^ov^ogv^o I w^ob^og^oš^o KivR μq m^oš^ouv^oš^o-w^oel^otq weifb^oe^oc^ox^oZ I Ab^oš^omiY^oxq w^oel^oq^om^oš^o mnRZi D^oc^ov^otq e^ow^oš^o n^otq^oQ| miK^ov^ot^oi gj μq b^ow^oZ^ogv^ovi m^ov^ot^o ms^oM^oš^oZ ti^oš^oL Gu^o c^ov^oq^o Kiv n^otq^oQ| BD^oiqb cwi l` G Ac^ov^ot^oi kb^ovj g^ov^ob^otq^otj e^ow^oš^o c^oμ^oqv Ab^oš^omi^o mdj f^oite μq c^oμ^oqv m^oš^ouv^oš^oKi^ot^oZ cvi^ote e^otj Av^ok^ov Kiv hv^oq|

4.1.2. μq e^oe^ovcb^ovi ej^oš^oZ Kx e^oš^ovq

m^ov^oviY A^ot^oš^oμ^oq^o ej^oš^oZ P^ow^on^oš^ovi w^oeci^oš^oZ g^oš^oš^oi w^oeb^og^otq t^oK^ov^ot^ovi gv^ov^ogv^o ev^o t^oK^ov^ot^ovi KivR m^oš^oM^oš^o BZ^ow^oš^o tev^oS^ov^ot^ovi n^otq ^ov^ot^oK| Gj w^oRG^om^oc:2-Gi Avl Z^ovq μq ej^oš^oZ Ab^ot^og^ow^oZ μq c^oμ^oqv gva^{ig} μqK^ov^ox KZ^oš^ot^oš^oi P^ow^on^oš^o v^o t^ogv^oZ^oteK Ab^ot^og^ow^oZ g^oš^oš^o gv^ov^ogv^o m^oš^oM^oš^o ev^o w^ob^og^oš^o/cZ^oKivR m^oš^ouv^oš^o BZ^ow^oš^o š^oK tev^oS^ov^ot^ovi n^otq^oQ| D^otj ^oth, μq K^ov^ot^oR ^oš^oU c^oš^o ^ov^ot^oK, GK^oc^oš^o μqK^ov^ox Ges Ac^oi c^oš^o mi e^oiv^on^oK^ov^ox| μq Kvh^oš^oij m^oš^oš^oite cwi P^ov^oj b^ovi Rb^o š^oμ^oq^oK^ov^ox^o I š^omi e^oiv^on^oK^ov^ox^o g^ota^o K^ow^oZ^ocq kZ^oš^oGes GK^oU b^ow^oZ^ogv^ovi w^of^ow^oE^oš^oZ μq Kvh^oš^oij m^oš^ouv^oš^oZ nq Ges G e^oe^ov^ot^oKB μq e^oe^ov^ocb^ovi ej^oš^oZ n^otq ^ov^ot^oK|

4.1.3 $\mu q e^{\bar{e}} \bar{v} c b v m s \mu v \bar{s} - c \bar{q} v R b x q m s \bar{A} v m g n$

wel q	ms $\bar{A}v$	D $\bar{v} n i Y$
gvj vgvj	mi $\bar{A} v g w^{\bar{e}}$, h $\bar{s} c w Z$, n w Z q v i Ges K w b, Zij w K s e v e v q e x q t h t K v t b v c $\bar{v} \bar{e} G i$ A \bar{s} - f \bar{p} n t e Ges h v g v j / c Y / $\bar{e}^{\bar{w}}$ w n t m t e w e t e w P Z n t e	Gj w R G m i c : 2 - G i A v l Z v q B D w b q b c w i l t i R b \bar{v} $\mu q K Z A_{e v} \mu q Z e^{\bar{v}}$ t K v t b v t P q v i , t U e j , m v B t K j , t b w l J k t e v W $\bar{B} Z^{\bar{w}}$
w b g w / c Z R v R / t g i v g Z	w \bar{v} t g i R b \bar{v} t $\bar{v} K$ e i v t i A v l Z v q $\mu q K Z$ w K s e v μq K i v n t e G g b t h t K v t b v a i t b i w b g w , t g i v g Z , i w y t e w Y e v m s $\bar{v} i$ K v R t K t e v S v t e	w \bar{v} t g i A v l Z v q w e w f b w b g w / c Z \bar{e} K v R m g n
$\mu q K v i x$ e v w $\bar{v} g$ K Z $\bar{e} w$	μq K i v i R b \bar{v} w $\bar{v} q Z c \bar{b} B$ K Z $\bar{e} w$	B D w b q b c w i l \bar{v} e v m i K v i K Z \bar{R} w b a w i Z K Z $\bar{e} w$
μq K w g u l	μq K v i x K Z $\bar{e} w$ e v μq K v i x K Z $\bar{e} w$ n t Z w $\bar{v} q Z c \bar{b} B$ t h K w g u l μq c $\bar{b} \mu q v$ c w i P v j b v K i t e b	l q w w K w g u l , $\bar{v} i c \bar{v}$ g j $\bar{v} q b$ K w g u l
$\bar{v} i \bar{v} Z v$	μq c $\bar{b} \mu q v$ G j w R G m i c : 2 - c k t i t i t $\bar{v} K$ e i v t i A a x t b g v j v g v j m i e i v n Ges K v R m $\bar{a} u \bar{v}$ t b i R b \bar{v} t K v t b v A s k M h Y K v i x w K s e v m $\bar{a} e^{\bar{v}}$ A s k M h Y K v i x t K t e v S v t e	g v j v g v j m i e i v n K v i x c $\bar{b} Z \bar{v} b$, w b g w K v t R i w K v $\bar{v} i$, c $\bar{b} v i$ m s $\bar{v} v$ B Z \bar{w}
$\bar{v} i c \bar{v}$ m $\bar{a} u \bar{v} K Z$ b w c \bar{v} / W K t g U m	G j w R G m i c : 2 - c k t i t i t $\bar{v} K$ e i v t i A A v l Z v f \bar{p} $\bar{v} i c \bar{v}$ A v n v t b i K v M R c \bar{v} w K s e v g v j v g v j μq l K v t R i R b \bar{v} c $\bar{b} w e$ A $\bar{e} v$ $\bar{v} i$ m s $\bar{v} v \bar{s} - m K j$ K v M R c \bar{v} t e v S v t e	μq m s $\bar{v} v \bar{s}$ b w \bar{v} , t U E v i t b w l J k , t U E v i W K t g U , c w i K v q c k w i k Z w e A w B , g j $\bar{v} q b$ c $\bar{b} Z t e^{\bar{v} b}$, A b t g w \bar{v} Z b w \bar{v} , K v h w $\bar{v} k$, P w $\bar{v} c \bar{v}$ B Z \bar{w}

4.1.4. $\mu q m \bar{a} u \bar{v} K Z A v P i Y$

Gj w R G m i c : 2 - G i A v l Z v q g v j v g v j μq , w b g w / c Z R v R m s M h n i m g q h $\bar{v} m \bar{a} e$
m Z K Z v i m v t \bar{v} μq K v h w $\bar{v} g$ c w i P v j b v K i t Z n t e , h v t Z t K v t b v i f c A w b q g m s N w U Z b v
n q | G t w t i t w b t P i A v P i Y m g n c w i n v i G K v s - c $\bar{q} v R b$:

- K) μq K v t R B D w b q b c w i l \bar{v} Ges m s w k $\bar{e} - K w g u l i$ t K v t b v m $\bar{v} m$ g v j v g v j e v c Z R v R
 μq K v t j t K v t b v m i e i v n K v i x , w K v $\bar{v} i$ t K K v R t \bar{v} l q v i c $\bar{b} Z k \bar{b} Z w$ t g h w \bar{v} t K v t b v
A $\bar{e} v$ D c n v i e v A b \bar{v} t K v t b v i f c m n t h w M Z v M h Y K t i b Z v n t j Z v \bar{v} w Z g j K
K v t R i A v l Z v q c o t e ;
- L) μq K v t R B D w b q b c w i l \bar{v} e v μq m s w k $\bar{e} - K w g u l i$ t K v t b v e $\bar{v} w$ e v m i e i v n K v i x ,
w K v $\bar{v} i$ h w \bar{v} μq c $\bar{b} \mu q v$ t K v t b v w e l t q w g $\bar{v} i$ A v k t t b b Ges Z v c $\bar{b} w Y Z$ n q
Z t e Z v c $\bar{b} v i$ Y v g j K K v R w n t m t e w e t e w P Z n t e ;
- M) μq K v t R μq m s w k $\bar{e} - K w g u l i$ m v t \bar{v} t h t K v t b v e $\bar{v} w$ Ges t K v t b v m i e i v n K v i x e v
w K v $\bar{v} i$ h w \bar{v} t M v c b t h w M v t h v t M i g v a t g G g b t K v t b v K v R K t i b , h v i d t j A b \bar{v}
t h w \bar{v} m i e i v n K v i x e v w K v $\bar{v} i$ t i c $\bar{q} v R b x q$ t h w \bar{v} Z v $\bar{v} K v$ m t E j l $\bar{v} i$ c $\bar{b} Z t h w M Z v q$
A s k M h Y e w A Z n e v i m $\bar{a} e b v$ c $\bar{b} w Y Z$ n q , Z t e Z v P $\bar{v} v \bar{s} g j$ K K v R w n t m t e
w e t e w P Z n t e ;

N) hw` Dctii μqKvR μq msuké-KugulU mvt_ thtKvRbv msuké-e`w³ Ges tKvRbv mieivnKvix, wKv`vi GKtĭ ev c_Kfvte tKvRbv c¶ Ggb tKvRbv evavi mĭo Ktĭb, hvi dtj Ab` thvM` mieivnKvix, wKv`vi cĀZthvMZvq `icĀ`vLj ev AskMĥtY evavMĀ-nb, Zte Zv Rei`w`gj K AvPiY wntmte wetePZ nte;

μq KvR Dcti ewYZ welq_ tĭv cwi nvi Ktĭ μqcĀμqv m`ubæKĭtZ nte| Ab`_vq Zv Ī`wUcY`μq wntmte wetePZ nĭZ cvti Ges msuké-BDwbq cwi l` wbtlavÁvi Avl Zvq Gj wRGmĭc:2-Gi t_vK eivĭ t_ĭK ewAZ nĭZ cvti | cvkvcwK Dctii th tKvRbv Ae`v bRtĭ Avmĭj Ges Zv cġwYZ nĭj t¶Īwētkĭl μq KugulU ev BDwbq cwi l` ev wewRmĭm ev `vbxq miKvi wfvM Zvi Dci e`e`v wbtZ cviteb| KvRb BDwĭc tPqvi g`vb, m`m`, mĭPe Ges msuké-μtqi mvt_ RwoZ e`w³MYtK G mKj welĭq mRvM _vKtZ nte Ges mZZv, wbitc¶Zv Ges `^QZvi mvt_ mĭWKfvte μq cĀμqv Abyni Y KĭtZ nte|

4.2. Gj wRGmĭc:2-Gi Avl Zvq MĥYthvM` μq

th mKj BDwbq cwi l` ewaZ t_vK eivĭi Avl Zvq mrvqZv cvte, Zviv Gj wRGmĭc:2-Gi Acvtĭkbyj g`vbtqĭj th mKj ev`evqbtĥvM` w`dgi Zvwj Kv t`lqv nĭtqĀ, tKej tm mKj w`dgi Ašf¶ gjv gvj Ges cZRvR msMĥ KĭtZ cviteb| G mKj gvj gvj l cZRvR e`Zx Ab` tKvRbv μq MĥYthvM` etj wetePZ nte bv|

μq l Pw³tZ tPqvi g`vb, mĭPe l m`m`MĭYi fvgKv

Avĭj vP` Gj wRGmĭc:2- cĀtĭi Ab`Zg gj Dĭĭk` nĭj v- Gj vKvi RbMĭYi Pwĭ`v Ges cĀ`¶ AskMĥtY thb BDwbq cwi l` Zvi Dbqĭ cwi Kĭi bv wbtRivB cĀqĭ KĭtZ cvti Ges Zv KvĥRĭfvte ev`evqĭ KĭtZ cvti | G e`e`v wĭwĀZ KĭtĭB Dbqĭtbi mĭdj mrvaviY gĭvĭ tctZ m¶ĭg nteb| G gjĭtšĭj aviK-evnK wntmte BDwbq cwi l` tPqvi g`vb, mĭPe, m`m`MY, lqW`KugulU, `icĀ gj`vqĭ KugulU l w`g mpcvĭfKb KugulU-i fvgKv LpB `i`ZcY`Ges w`g ev`evqĭb msuké-μq cĀμqv m`úĭK`cwi`vi Ges `^Q Ávb bv _vKtĭj Zv mdj fvte m`ubæKiv hvte bv| tPqvi g`vbMY Zvĭ i wR wR w`g μq l ev`evqĭtbi Z`vi wKtZ mRvM _vKteb, WwEwm l GmGmĭmi m`m`MY w`g wbePb, ev`evqĭ Ges ZĖyevtĭb h_vh_ fvgKv l `wqZĭ cvj b Kĭteb, mĭPe μq mspvš-Kvĥpĭg l `wĭj w` cĀZ, cĀμqvKiY Ges msi¶ĭY mĭPó _vKteb, m`m`MY mĭWK μq cĀμqv AbynZ nĭ`Q wK bv Zv wĭwĀZ Kĭteb| cĀqvRĭb μqKvĭRi cieZP eQĭi MnxZ μqKvĭthP gj`vqĭ Kĭteb Ges gj`vqĭ dj vĭj t_ĭK cieZP Kĭtĭj w¶¶Yxq wKQz_vKtĭj Zv Abyni Y Kĭteb|

Gj wRGmĭc:2-Gi Avl Zvq MĭWZ μq msuké-KugulUmgĭ

4.2.1. μq mspvš-KugulU

Gj wRGmĭc:2-Gi Abĭgĭw`Z w`dgi Avl Zvq gvj gvj/cZRvR msMĥni Rb` t`úĭkvdĭKkb/gvb`É l Pwĭ`vi w`K j ¶ĭ tĭtL ht_vchĭ³ l mvtĭx gĭj` mĭpĭvte l wbitc¶Zvi mvt_ μq cĀμqv cwi Pvj bvi Rb` BDwĭci wewfbae`ĭi m`m` l MY`gvb` e`w³eĭM¶ mgšĭq MĭWZ wewfbaeKugulUĭK μq mspvš-KugulU ej v nte| Gj wRGmĭc:2-

Gi Avl Zvq ṽvbxqfvte KtqKwU ṽfi μq cōμqvī cwi Pvj bvi Rb KtqKwU KugwU MVb Kiv ntq̄tQ ṽmṽtj v ntj v: (1) I qW[®]KugwU, (2) ṽicī gj ṽvqb KugwU | ṽgmgṽ mWKFvte ev ṽevqb Z ṽvi wkī Rb ṽwṽg ZÉyeavb KugwU i t̄q̄tQ | G wēl t̄q wbt̄P Avt̄j vPbv Kiv ntj v:

BDṽbqb cwi I ṽ

BDṽbqb cwi I ṽ Gj ṽRGmīc:2-Gi Avl Zvq mKj μq cōμqv mṽúv ṽtbi Z ṽvi wkī Kite Ges cikvīcīwk wēvfbeμq KugwUmgn̄t̄K ṽṽaxb I wbi t̄c̄q̄fvte μq cōμqv cwi Pvj bvq mrvqZv Kite |

4.2.2. KugwU MVṽbi bxwZgvj v I ṽi "ZcY[®]ewkó

hw I Gj ṽRGmīc:2-Gi Avl Zvq BDṽc ch̄q̄q wēvfbe KugwUī MVb mṽúv KZ wēl q Bt̄Zvc̄t̄e[®]Avt̄j vPbv Kiv ntq̄tQ, Z_ṽmīc t̄Kej gvī μqmsīk̄ē- KugwUmgn̄t̄ni D̄tj EṽhṽM ṽK mṽúv K[®]Avt̄j vPbv Kiv ntj v:

- I qW[®]KugwU (WwēDm) : I qW[®]ch̄q̄qī c̄Kvk" mfv Abp̄vb K̄tī I qW[®]KugwU MVb Kite Z nte |
- msīk̄ē-I qW[®]c̄Kvk" mfvq wbePZ 7 Rb mṽmṽ wbt̄q I qW[®]KugwU MWZ nte | Zte kZ[®]ṽt̄K th KugwU mṽmṽ i ḡtā GK-ZZxqvs k mṽmṽ (bṽbc̄t̄q̄ 2 Rb) gūnj v ṽvKteb |
- msīk̄ē-I qW[®]mṽmṽ ev msi ṽq̄q̄Z Avmṽt̄bi gūnj v mṽmṽ nteb KugwUī Avn̄ṽvqK |
- BDṽc mṽmṽ ṽβ Rb |
- ṽḡ wk̄q̄K GK Rb |
- ṽvbxq mgvR̄t̄meK ṽβ Rb (GK Rb bvi x GK Rb c̄j "I) |
- Gb̄wRl /m̄k̄xj mgv̄t̄Ri cōZib̄wa GK Rb |
- gv̄³ṽhṽv̄/gv̄³ṽhṽv̄vi mṽṽb GK Rb (c̄vl qv bv t̄M̄t̄j GK Rb mṽvavī Y b̄vM̄vī K) |
- I qW[®]KugwUī Kgct̄q̄ 2 Rb gūnj v mṽmṽ nteb |
- t̄Kv̄t̄bv I qW[®]KugwUī mṽmṽ ṽwṽg ZÉyeavb KugwUī mṽmṽ nt̄Z c̄v̄t̄eb |
- msi ṽq̄q̄Z Avmṽt̄bi gūnj v mṽmṽ MY Kgct̄q̄ 3w I qW[®]KugwUī Avn̄ṽvqK nteb | GK Rb gūnj v mṽmṽ, Zvi wbePbx Gj vKivq, c̄j vμt̄g 3w I qW[®]KugwUī Avn̄ṽvqK nteb |
- I qW[®]mṽmṽeṽ KZṽ Avt̄q̄w̄RZ I qW[®]ch̄q̄qī c̄Kvk" mfv t̄t̄K Abṽvb" mṽmṽ i Gj vKvi Rbm̄vavī Y ḡt̄bv̄xZ Kiteb |
- t̄Kv̄t̄bv eṽ³ GKB m̄v̄t̄_ GKwUī tēwk I qW[®]KugwUī Avn̄ṽvqK/mfv̄c̄wZ nt̄Z c̄v̄t̄eb bv |
- mṽmṽ i ḡt̄ KugwU KZṽ ḡt̄bv̄xZ GK Rb mṽmṽ m̄iP̄t̄ei ṽwqZ̄j c̄j b Kiteb |

I qW[®]KugwUī ṽwqZmgn̄:

- I qW[®]m̄fvī ḡv̄t̄g ṽvbxq ch̄q̄qī cwi K̄íbv c̄ṽq̄b Kvh̄p̄rg Ges RbAskM̄h̄t̄Yi ḡv̄t̄g D³ cwi K̄íbv c̄ṽq̄t̄b mrvqZv Kiv |

- Abtḡw` Z w`g ev`evqb Kiv|
- msiké-I qvW^q_vK eivt`i i Avl Zvq wKv`vi KZR ev`veqbvaxb w`g,tjv vobqvZ ZÉveavb Kiv|
- kḡNb KvRi t`q^t vbxq kḡgK vbtqvM vbwÖZ Kiv|
- mi vmi μq c×wZ A_ev `ic^ti gva`tg μq c×wZ AbmiY Kti gvj vgvj μq Kiv|
- w`dgi mvgwRK I cwi tēkMZ c^fve hvPvBKiy|
- cwi tēk Ges mvgwRK evQvBKiy (BGMGgGd) Ges BGMGgGt^di wivfD dg^o `Zwi |
- Aci GKw μq KvgwU i`i Kvi AvtQ wK bv tm mspvš-vm×vš-MḡY|
- mieivnKvix/ thvMvb`vZvi vobKU t`tK cōÉ μq Avt`k/Kg^q k Abhvqx `ē`mvgM^W/ tmevmgn e^fS tbl qv|
- mKj μtqi vej, fivDPvi, gv÷viti vj BZ`w` msi^qY Kiv Ges BDvobq cwi l`tK AwWU Ges Ab`vb` Kvḡtgi Rb` H mKj KvMRc^t cōvb Kiv|
- Gōvovl BDvobq cwi l` KZR cōÉ Ab`vb` `wqZ; cvj b Kiv|

4.2.3. BDvobq ch^q μq I msMḡ mspvš-ve^ltq vbtg^e KvgwUmg^tni Kvḡewi va

vwqZcōB KvgwU	μq/KvRi cKwZ	μtqi gj`m ^g v	wK c×wZtZ ev wKfvte μq Ki tēb	gšē
I qvW ^q KvgwU	K) gvj vgvj msMḡ, vbg ^q / cZKvR	Abtḡw` Z cō ^o vj Z gj` 25,000/- (cūPk nvRvi) UvKv ch ^š t	K) mi vmi μq c×wZ	c×wZi we`wi Z weeiY cieZ ^q Aa`vtq Avtj vPbv Kiv nt ^t q
	L) gvj vgvj msMḡ vbg ^q /cZKvR	Abtḡw` Z cō ^o vj Z gj` 5,00,000/- (cūP j` ^q) UvKv ch ^š -	L) witiKvtq÷ di tKvUkb (Avi Gd wKD) A_ ^q evRvi t`tK tKvUkb msMḡni gva`tg	
	M) kḡNb KvRi t`q ^t , thgb gwU i v`v`Zwi ev tgi vgz, Rj vavi `Zwi BZ`w` A_ ^q th KvR kḡvbf ^q Zv`vbxq evRvi t`tK kḡ msMḡni gva`tg ev`evqb	Pv ³ gj` 5,00,000/- (cūP j` ^q) UvKv ch ^š -	KvgDvobq μq c×wZ	

`icĀ gj`vqb KvguU	gvj vgvj , wbgP/cZRvR	c0°ij Z gj` 5,00,000/- (cWp j 99) UvKvi DtaY®	DbYp μq c×wZ	c×wZi we`wi Z weeiY cieZP Aa`vtq Avtj vPbv Kiv ntqtQ
-------------------------	-----------------------	--	-----------------	---

tbvU: `šiY ivLtz nte th- D0xKiY KgmPi Avl Zvq c0vifhvb cwi Pvj bv, mtPZbZvgj K KvhPrg KvR eQti 25,000 UvKvi EtaY®LIP Kiv hvte bv |

- Dcti i Qtk ewYZ Kiv Ges μqc×wZ h_vh_ AbniY Kti μq KvhPrg cwi Pvj bvi gva`tg ,YMZgvbm±ubegvj vgvj | cZRvR mvktx gj` mSMh KiTe; Dcti Dvj wLZ KvguUmgv KvhP`k/mieivn Avt`k Abjvnti mieivnKvixi wBKU t_tK gvj vgvj , cZRvR etS tbte;
- BDwbqb cwi l` KZR c0E Ab` th tKvibv Kiv Dcti Dvj wLZ KvguUmgv m±ub`b KiTe;
- Dvj wLZ th, ewYZ μq c0μqv Qvovl KtqKuU welq `šiY ivLv c0qvRb th, t99T wetktl miwmwi μtqi gj`mxgvi gta` μq KvhPrg miwmwi μq c×wZ AbniY Qvovl AvigduKD ev tKvUkb μq c×wZi gva`tg D³ μq m±ub`b Kiv thtZ cvti | thgb 25,000 UvKv chS-tKvibv gvj vgvj ev cZRvR t99T wetktl miwmwi μq c0μqv Qvovl AvigduKD-Gi gva`tgI m±ub`Kiv thtZ cvti |
- GKBFvte AvigduKD-Gi gj`mxgvi Avl Zvq MpxZ μq KvhPrg t99T wetktl DbYp `icĀ c×wZi gva`tgI m±ub`b Kiv thtZ cvti | thgb, 5 j 99 UvKv chS-th tKvibv gvj vgvj ev cZRvR t99T wetktl DbYp μq c0μqv gva`tgI m±ub`Kiv thtZ cvti |

4.3. tjvKvj MfbQY mvtcvUc0Rt±i Avl Zvq μq c×wZ

4.3.1. μq-c×wZ ej tZ wK tevSvq

Gj wRGmuc:2-Gi Avl Zvq w`g ev`vevqtbv Rb` th mKj gvj vgvj /cZRvR mSMh Kiv c0qvRb, Zv th e`e`vi Avl Zvq m±ub`Kiv nte, ZvtK μq-c×wZ ej v nte:

c×wZ Abni tYi ,i`Z;

- mWK Ges ,YMZgvbm±ubegvj vgvj wPwYZKi tYi gva`tg gvj vgvj /cZRvR mSMh wBwDZKi tYi μq-c×wZi fvgKv ,i`ZcY®
- mWK μq-c×wZ AbniY Kiv ntj μqKvtj k;Ljv Ges c0vegyP μq wBwDZ Kiv m±e;
- μq-c×wZi wbePb mWK ntj μq-c0μqv mgvtqi m0`envi m±e nte, cikvcwK A_®mvtqti gva`tg ,YMZgvbvi μqKvR mgvavb Kiv hvte;

- μq-cxwZi gva'tg μqKvR "QZv I Review" wZv wvDZ Kiv mae;
- Avak e'qmswke-w'g RbMtYi ma'u,3 Zv ev AskMhtYi mthvM mwD Kiv mae weavq Dbj3 μq-cxwZtZ Gi mthvM ivLv ntqtQ|

4.3.2. Gj wRGmw:2-Gi μqcwZ

Gj wRGmw:2 ckt'i i μqmswš-Kvh'g AZ's-Ri'wi welq Ges ckt'i i mdj Zv μq Kvh'gtgi cxwZ wbe'pbi I ci eEj vstk wfpkxj | wK wK gvj vgvj ev wK wK cZKvR Kiv nte, Zvi cxwZ wba'Y Kiv c'g Ges "ZcY'KvR wntmte wetePbv Kiv thtZ cvti | ew'Z t_vK ei'v'i i Avl Zvq BDwC KZK thsw3 K μq-cxwZ wba'Y Kiv GKvš-c'qRb| KvRi aib Ges cv'w'j Z g'j' i I ci cxwZ wbe'pbi Kiv DvPZ, hvi GKwU ifcti Lv wtp' t' I qv ntj v:

μq	Gj wRGmw:2-Gi Avl Zvq w'KZ μtqi aib	μtqi Avl Zvq weteP' wel qmgn	c'w'j Z g'j' mxgv
1	mivmwi μq cxwZ	gvj vgvj / cZKvR mSMh	Abtgvw' Z c'w'j Z e'q 25000 UvKv chš-
2	Avi Gd'KD cxwZ	gvj vgvj / cZKvR	Abtgvw' Z e'q 500000 UvKv chš-
3	KwgvDwbw μq cxwZ	w'vbx k'gNb KvR (gw'wi KvR ev tgi vgtZi KvR BZ'w')	Abtgvw' Z c'w'j Z e'q 500000 UvKv
4	Dbj3 μq cxwZ	gvj vgvj / cZ'KvR BZ'w' μq ev mSMhni t'q't	Abtgvw' Z c'w'j Z e'q 1000000 UvKv chš-

4.3.2.1. mi v m w i μ q - c x w Z

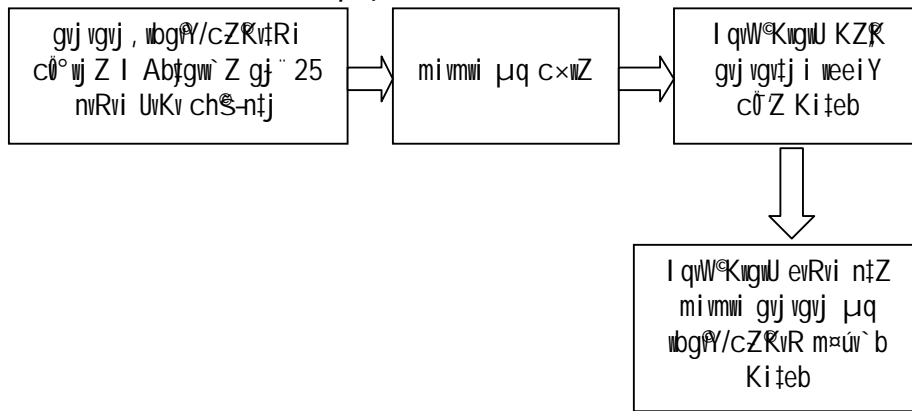
BDwC Gi Avl Zvq 25,000 (c'w'K nvRvi) UvKvi gta' tKv'bv gvj vgvj ev cZKvR mSMh Kiv c'qRb nq Zte Zv μqKvix KZ'q' A_w' Abtgvw' Z I qw'Kw'wU evRvi t_tK mi v m w i m i e i v n K v i x / w K v ' v i / e ' w ' 3 ev c'pvi Kvix ms'vi w'KU t_tK Zj bvgj K `i c' QvovB 25,000 (c'w'K nvRvi) UvKv chš-th tKv'bv cwi gvY gvj vgvj ev KvR μq Ki'tZ cvte| G cxwZtZ mi v m w i μ q - c x w Z e j v h v q | G t'q't t'Kv'bv c'ZthwMzv'g K `i c't'i c'qRb nte bv| G cxwZ Ab'ni t'Yi D't'k' ntj v:

- AvZ Af' mg'tq μqKvR mg'vav Kiv;
- Avak Avb'pwbKZv ev c'w'q'v cwi nvi Kiv;
- ckt'i i KvRi MwZew'tZ mnvqZv `vb;
- ckt'i i w'f'gq'w' D't'k' `w'Z ev evq'v wvDZ Kiv|

miKwi μq weav'gv'vq (w'w'Avi-2008) G cxwZi Ab'ni t'Yi D'tj E_vKvq Gj wRGmw:2-Gi Avl Zvq we'f'be'w'g ev evq'tb c'w'vR' t'q't G cxwZ c'qM Kiv thtZ cvti | Zte j'q' ivL'tZ nte th,

- tKvfbv μqKvRtK Գլի՝ A t¼ wef³ Kti Dfı k`gj Kfvte G c×wZi c0qM Kivi B`Qv t_ıK wei Z _vKtZ nte;
- h_vm#e tKvfbv thšw³ K KviY bv ntj G c×wZ AbyniY bv Kiv;
- G c×wZtZ c0ZthwMZv bv _vKvq Awak gēj` μtqi mthvM _vtK, KvfrB BDwC hvfZ c0ZthwMZvgj K`tii μq mjevav t_ıK ewAZ bv nq tm wel tğ mRvM _vKtZ nte|

4.3.2.1.1. միմուի`icı c0μqvi tdt+PvU©



4.3.2.2. KıgDıbwU μq-c×wZ

`wi`ª wbi mıbi j tԳı th mKj KvR`vbxq RbMıYi gva`tg միմուի m#uv`b Kiv hvq, Zv KıgDıbwU μq-c×wZi gva`tg Kiv thtZ cvti | Abtğw`Z c0°wj Z e`q 500000/- (cւP j Գ) UvKv chS-kēNb w`g ev`evqıbi tԳıı mvgwRK μqc×wZ AbyniY Kiv thtZ cvti | Abtğw`Z cKıri Avl Zvq mij kēwfwEK KvR thgb, gwUkvUv, ev fivUKiY, gwUı iv`v wbgf, eva wbgf BZ`w` G c×wZi Avl Zvfj³ nte| c×wZ miKvtii μq bxwZgvj vi mvt_ mvgAm`cY©nl qvq c0hvR` tԳıı Zv c0qM Kiv thtZ cvti |

KvR m#uv`b

KıgDıbwU μq c×wZ AbyniYKvtj l qW°KıgvU BDıwbq cwi l t`i mvt_ wbaewYZ OK Abymıı Pı³ m#uv`b Kti w`g ev`evqı Ki tē| Pı³ctı cKı`vb, Kwı Mwi weeiY, Kvfrı cwi gvY, KvR m#uv`tbi mgqmıgv Ges Ab`vb` c0qvRbxq kZewj i we`wi Z wel qmıgı Dıj _vKtZ nte|

КүгДүбүлү муқ сүмүрүк BDици мт½ I қуW©Күгүлүи Pи³ сәтi бгбв ОК

..... тRj vi DcтRj vi
BDици..... bs IqvтW© IqvW© Күгүлүи (сü_g сәтi) сәZибуа итмте Rbve
..... сии Iт`i (и0Zиxq сәтi) сәZибуа итмте
тPқи г`vb Gi гта" KvтRи (иbгP/тgi vгZ BZ`w`) Rb" A`"
..... Zwi тL(т`vтb) м`уви Z Pи³ бгв |

Pи³ и кZеуј :

1. BDиbqb сии Iт`i муқ Ges/A_ev KvтRи Ki бv тgvZиtеK 1g сәтi 2q сәтi KZR сü_j b Ges KvтRи weeiY Abтgв`b мvтсәтi G Pи³ сәтi Zдwmтj we`ии Zfvте еиYе KvR м`убаKi те;
2. мstһwRZ Zдwmтj еиYе mgqmP тgvZиtеK 1g сәтi w`g ev`evqтbi KvR ии" Ges м`убаKi Z: 2q сәтi ev Zvi гтbvxZ сәZибуаи иbKU KvR n`vсt Ki те;
3. иbqсY еиvфZ һу³ msMZ Kvi Y е`иZиtиtK 1g сәтi тKvтbв Ae`vтZB w`g ev`evqb KvR eÜ Ki тZ сvi те бv;
4. 1g сәтiи w`g ev`evqтbi KvтR тKvтbв сKvi weNemү бv Kтi 2q сәтi тһ тKvтbв mgq сKтi и KvтRи сии gvYMZ I `YMZ гvb ми Rиgтb сии `kи Ki тZ сvi те;
5. Pи³ сәтi и кZеујZиtеK 1g сәтi w`g ev`evqтbi тKvтbв кZеуј Ki тj Rb`т`_1g сәтiи иei`тx сәZиeavbgj K е`e`v MөтYи AиaKvi 2q сәтiи `vK те;
6. 1g сәтi I 2q сәтiи гта" тKvтbв сKvi иeтi va т`Lv w`тj Dfqcәтiи mgтSvZvi гva`тg Zv мjvrv Kivi с`тiс MөY Ki те | тKvтbв сKvi мjvrv м`е бv нтj иel қуW т`vK еив`и mgсq Күгүлүи иm`vс-Pөvс-Ges Dfqcәтiи Rb" еva`Zvгj K нте |

т`әтi : 1g сәтi
мvәтix :

т`әтi : 2q сәтi
мvәтix :

т`vbxq кигK ибтqвM

I қуW©Күгүлү ибтRB һLb w`гүW ev`evqb Ki те ZLb Күгүлү w`гүW ev`evqтbi Rb" сәQvRbxq Rbeтj и msL`v иbifcY Ki те Ges т`vbxqfvте сәс` Rbej сәQvRb Abтvqx ибтqвM Ki те | Dтj E` тһ, т`vbxq гRyi и сии gvY Aek`B еив`и KZ еvтRU AиZмg Ki те бv Ges кигтKi гRyi нvi сәPиj Z еvRvi `тi и мvт` мvgÄм`сYнтZ нте | GmKj иel қ w`g ZЕeavb Күгүлү KZR иbqиgZfvте Z`vi K Ki тZ нте |

Zduntj i weeiY l`tii nvi

BDwbqbw cwi l` DctRj v..... tRj v.....

KvRi eYb	KvRi GKK	KvRi cwi gvY	c0qvRbxq Rbej / k0jw`em	c0Z k0jw`etmi gRji nvi	k0jw`em eve` tgvU LiP (4x5)	gše`
1	2	3	4	5	6	7

~vji : 1g cfl

~vji : 2q cfl

AwM0 A_M0Y

w`dgi aib Abjvqx `wbK wfwEtZ e`q wbein KitZ nte weavq `bw`b e`q Ges kigtKi cvl bv cwi tkvtai Rb` w`g ev`evqb KugU KZR AwM0 A_M0Yi c0qvRb nte Ges hv cieZ0Z gv÷vi-tivtj gRjx cwi tkvtai tfti wtpi OK e`envi KitZ nte Ges gRjx cwi tkvtai tikW0msi flY KitZ nte| w`g ev`evqtpi Rb` Pw3 m`uW Z ntj I qW0KugU mtevP 50,000.00 (cAvk nvrvi) UvKv chS-AwM0 M0Y KitZ cvi te Ges MpxZ AwM0 At_P wej mgšq mvtctfl cieZxkw`-c0vb Kiv hrte|

gv÷vi tivtj gRji cwi tkvtai bgbv OK

μgK bs (kigK msL`v)	kigtKi bvg	wKv bv	cwi tkwaZ UvKvi cwi gvY			gše`	wJcmn/ ~vji
			gRji	w`b/ cwi gvY	tgvU UvKv		
1	2	3	4	5	6	7	8

AwM0 mgšq

I qW0KugU kigtKi cvl bv A_ev h_vh_ e`q cwi tkvtai ci BDwbqbw cwi l`i wmxvS-μtg `wbK wfwEtZ A_ev wbw 0 mgq Ašit wba0i Z di tg cieZP AwM0 M0Yi Rb` Li tpi weeiY Rgv t`te| cieZPkw`-cvl qvi j tfl I qW0KugU KZR Aek`B ce0ZP wkw`-t 75% cvl bv vgvUtpvi 7 (mvZ) w`tbi gta` BDwbqbw cwi l`i mivpei wBU gv÷vi tivtj weeiYx Rgv c0vb Kiv nte|

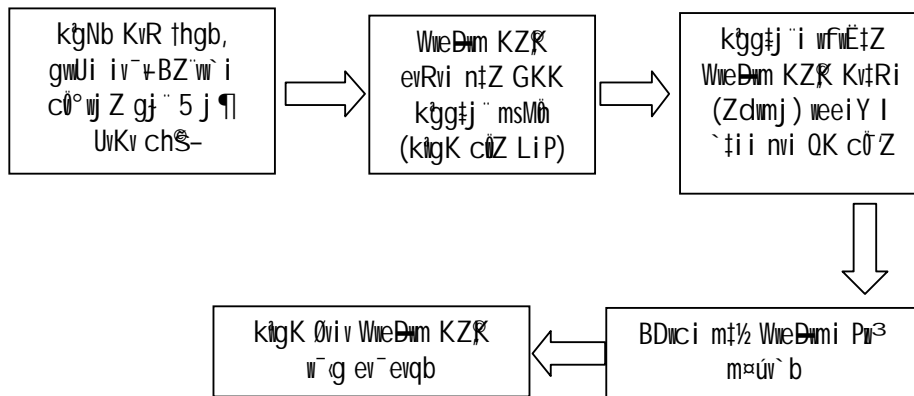
AwM0gi Poiš-mgšq

w`g ev`evqb m`ub`enevi ci mtevP 15 (c`bi) w`tbi gta` I qvW©KugwU msuké-
KvRi mg`q Li`Pi gv÷vi`ij mn Ab`vb` wnmve weei Yx BDwbq cwi l` mivPtei vbKU
Rgv w`tq AwM0 mgšq Kite| Ab`vq KugwU AvnYvqK cieZPA_ermti tKvRv bZb
w`dgi Rb` cpivq we`emPZ nteb bv|

Li`Pi weeiY

BDwbq cwi l`i miv_ Piv³ Avl Zvq ev`emqZ w`dgi gv÷vi`ij mn hveZxq
cwi tktvai h_vh_ fivDPvi I qvW©KugwU BDwbq cwi l` Acv`tkbvj g`vb`qj Ab`hvqx
msi ¶Y Kite| AZtci G_`tjv BDwbq cwi l` mivPtei wR`sq BDwbq cwi l` Awd`tm
msi ¶Z_vKte|

KugDwbw µq-c0µqv i tdr-PvU©



4.3.2.3.1 Avi GdwKD c`wZ: w`tKv`q ÷ di tKv`Ukb A_¶ Ab`tivac`i i gva`tg` i msmh

evRv`i we`gvb Ges hv³msMZ `f gj` i maviY gvj vgvj ev cZRvR m`uv`KZ KvRi
Rb` Ab`tgw` Z c0`j b l ev`RU eiv`i i gta` m`gvex t`tK tKv`Ukb c0`v`bi Rb`
wef`bami eiv`Kvix` i Ab`tiva Kivi c`wZB n`j v Avi GdwKD c`wZ|

hLb evRv`i Pwn`v Ab`hvqx c`e¶ I qv Q`K ewYZ c`KwZ l gj` m`xvi gta` hveZxq
gvj vgvj µq Kivi m`thvM i`tq`Q Ges Zv evRv`i KtqKwU m`pv`gavi x c0`Z0vb t`tK msmh
m`e, tKej ZLbB G c0µqv Ab`jni Y Kiv hv³hv³ nte|

Zte gtb ivL`Z nte th:

- hv`Z c0`ZthvMZv Gov`bvi Rb` tKv`bv µq KvR`K D`i k`gj Kfvte ¶i` ¶i` A`½ wef³ K`i Zvi gva`tg G c`wZ c0µvM Kiv bv nq;

- Gt¶¶t¶ Dby` `ic¶ AbjmiY Kivi Rb` hveZxq QK I `wj j w` e`envi Ges e`vcK Avb¶w¶KZv m`ubæKivi m¶thvM _v¶K bv weavq h_v m`æ GKwaK m¶vgavix c¶Z¶vrb t_¶K GKK I tgvU Dfq wfvE¶ZB `i msm¶h Ki¶Z nte Ges wba¶¶i Z gvb mvtct¶¶ wbgæz g tgvU `¶ii wfvE¶Z µq m`ubæKi¶Z nte|

Avi Gd¶KD c×wZi c¶qvM

5,00,000.00 (c¶¶ j ¶¶) UvKv ch¶-c¶° wj Z e`tqi w`¶gi g¶a` k¶wfvE¶K w`g Qvov Ab`vb` Kv¶Ri t¶¶t¶ `ic¶ (tKv¶Ukb) Avn¶vb c×wZ tgvZvteK µqKvix¶K (I qvW¶ KvguU) c¶ZthwMZvgj K `ic¶¶i Rb` wj wLZfvte `ic¶ Avn¶vb Ki¶Z nte| j ¶¶ ivL¶Z nte, thb tewk msL`K m`æ `ic¶ cvlqv hvq Ges tmRb` I qvW¶KvguU AwaK msL`K mieivnKvix/wKv`v¶ii w¶KU `ic¶ Avn¶vbc¶ Bmj ev tc¶Y Ki¶e|

- Kgc¶¶¶, 3wU M¶hYthvM` (timcw¶f)`ic¶¶i Zj bvi gva`tg c¶B `¶ii h_v_¶v wbfcy Ki¶Z nte|
- `ic¶¶ Dvj w¶Z kZ¶ewj ciY ev m¶sh RbK c¶Zxqgvb ntj me¶bge`i`vZv¶K Kv¶¶¶ k/mieivn Av¶`k t` I qv hv¶e|
- G c×wZiZ gvj vgvj ev cZ¶vR I qvW¶KvguU KZ¶ m`uv` b Kiv nte|

Gt¶¶t¶ I qvW¶KvguU¶K w¶¶¶i avcmgn Aek`B c¶Zc¶j b Ki¶Z nte:

- t`úum¶d¶Kkb ev gvb`E wbfcy K¶i `ic¶ hv¶vB¶qi Rb` wfvbægvckwv ev gvb wba¶¶Y Kiv|
- G mKj gvcKwv c¶¶q¶b j ¶¶ ivL¶Z nte, thb evRv¶i c¶¶w¶Z gvj vgvj ev cZ¶v¶Ri AwaK mieivnKvix G`i c¶ZthwMZvq AskM¶hY Ki¶Z cv¶ib|
- tKv¶bv w¶v`¶ e¶¶Ei gvj vgvj ¶KB Pwn`vKZ gvj vgv¶j i gvb`E ev t`úum¶d¶Kkb wntm¶e wew¶PZ Kiv hv¶e bv, tKv¶bv wKv`v¶ii AwfÁZv¶K j ¶¶ ti¶L AwfÁZvi gvcKwv at¶i `ic¶¶ gvb`E ev t`úum¶d¶Kkb t`Lv¶bv hv¶e bv|
- `ic¶¶mgn e¶j c¶¶v¶ii j ¶¶ tKv¶Uk¶bi Rb` Ab¶ivac¶ (Avi Gd¶KD) ev m`æe`i`vZv¶ i w¶KU tc¶Y Ki¶Z nte|
- BD¶bqb cwi l¶¶i I qvW¶KvguU w¶w¶Z Ki¶e th, ms¶kæ`i`vZv G Avi Gd¶KD tctq¶Qb Ges Gi ti KW¶c¶¶vYw` BD¶bqb cwi l¶¶i bw_¶Z msi w¶¶Z _vK¶e|
- µ¶qi aib Abjv¶ti `ic¶ Rgv t` I qvi Rb` 1 t_¶K 2 mBv¶n mgq t` I qv nte|

gvj vgvj /` e`mvgM¶i Rb` `ic¶ weÁwBi (Avi Gd¶KD) bg¶v
I qvW¶KvguU
(KvguUi wKvbv)

I qv¶W¶ bs	BD¶bqb:
Dc¶Rj v:	t¶Rj v:

wb̄t̄ḡe³ gj̄vgj / ẽ" mieiv̄tni Rb" Dch̄³ wKv̄bvq Aew̄Z Iqv̄W© KvḡW e"̄w̄³/mieiv̄nKvīx/e"̄emv̄qxi wb̄KU t̄_̄t̄K w̄mj̄ t̄ḡv̄niKZ `ic̄Ā Av̄n̄Yvb̄ Kīt̄Q (mieiv̄tni D̄t̄Ī k̄ I wKv̄bv, thgb, iv̄w̄Kvj̄ fv̄Ūḡ feb̄ w̄bḡŲ BZ"̄w̄ ī bvḡ I `vb̄ w̄ t̄Z̄ n̄te, A_ev̄ hw̄ w̄bḡŲYi Rb"̄ bv̄ nq̄ Z̄te gj̄vgj mieiv̄tni Rb"̄ Dch̄³ `v̄t̄bī bvḡ w̄ t̄Z̄ n̄te):

`ẽ"̄mvḡM̄ī eȲŲv̄	GKK	GKK gj̄"	cwī gv̄Y	t̄gv̄U gj̄"
Av̄B̄t̄Uḡ-1				
Av̄B̄t̄Uḡ-2				
Av̄B̄t̄Uḡ-3				

kZ̄ēij

- w̄mj̄ t̄ḡv̄niKZ `ic̄Ā Aek̄B̄ wb̄t̄ḡe³ wKv̄bvq Zwī L..... Nw̄Kv̄q Rgv̄ w̄ t̄Z̄ n̄te (GKw̄aK `v̄t̄b̄ n̄tē bv̄) | `ic̄Ā GKB Rv̄qM̄v̄q Ges GKB Zwī t̄L Rb̄mḡt̄Ų t̄Lvj̄vī n̄te | t̄Lvj̄vī mḡq `ī `v̄Zv̄ ev̄ Zv̄t̄ ī c̄ŲZw̄bae;` Dcw̄Z̄ `v̄K̄t̄Z̄ cvī t̄eb̄ | `ī t̄c̄w̄bs̄ w̄k̄t̄U Zv̄iv̄ `ŲŲī Kīt̄eb̄;
- GKK I t̄gv̄U gj̄" (Āt̄¼ I K_v̄q) Uv̄Kv̄q D̄t̄j̄ Ē Kīt̄Z̄ n̄te (c̄Ųqv̄Rb̄ t̄gv̄Zv̄t̄eK cwī en̄Y e"̄qmn̄ ev̄ e"̄Z̄x̄Z̄);
- `ī `v̄Zv̄t̄K Aek̄B̄ c̄Ųqv̄Rb̄x̄q ḡv̄bm̄ūb̄e Ges m̄ūȲc̄wī gv̄t̄Y gj̄vgj / ẽ"̄mvḡM̄ī c̄Ųvē Kīt̄Z̄ n̄te | hw̄ GKw̄aK Av̄B̄t̄Uḡ `v̄t̄K, Zv̄n̄t̄j̄ m̄Kj̄ Av̄B̄t̄Uḡ m̄ūȲc̄wī gv̄t̄Y c̄Ųvē Kīt̄Z̄ n̄te |
- c̄ŲwēZ̄ `ī Aek̄B̄ `w̄L̄t̄j̄ ī t̄kl̄ w̄ b̄ t̄_̄t̄K w̄ b̄ ch̄S̄-̄env̄j̄ `v̄K̄t̄Z̄ n̄te;
- mieiv̄n̄/Kv̄h̄Ų`k̄ t̄c̄t̄j̄, mieiv̄n̄Kvīt̄K m̄ūȲc̄gj̄vgj / ẽ"̄mvḡM̄ī Av̄t̄`t̄kī Zwī L t̄_̄t̄K..... w̄ t̄bī ḡt̄a"̄ mieiv̄n̄ Kīt̄Z̄ n̄te | c̄ŲKw̄Z̄K A_ev̄ w̄b̄R̄ w̄b̄q̄š̄Ȳenn̄f̄Z̄ KvīY e"̄w̄Z̄t̄īt̄K w̄bāŲī Z̄ mḡq t̄_̄t̄K mieiv̄n̄ wej̄ w̄Z̄ n̄t̄j̄ mieiv̄tnī mēŲkl̄ w̄ t̄bī cī t̄_̄t̄K Am̄ieiv̄n̄KZ̄ gj̄vgj / ẽ"̄mvḡM̄ī t̄gv̄U gj̄"̄ ī.....% n̄v̄tī Pw̄³ ī t̄gv̄U gj̄"̄ t̄_̄t̄K KZ̄Ų̄ Kiv̄ n̄te;
- D̄x̄Z̄ ḡt̄j̄"̄ī Ges c̄ŲwēZ̄ `ẽ"̄/gj̄vgj̄t̄j̄ ī ḡvb̄ I cwī gv̄t̄Yī w̄fv̄Ēt̄Z̄ `ic̄Ā gj̄"̄v̄qb̄ Kiv̄ n̄te | `ẽ"̄/gj̄vgj̄t̄j̄ ī ḡvb̄, cwī gv̄Y I Ab̄"̄vb̄"̄ kZ̄ēīY m̄v̄t̄c̄t̄Ų̄ mēl̄b̄gē `ī `v̄Zv̄t̄K Kv̄h̄Ų`k̄ t̄ I qv̄ n̄te;
- m̄t̄š̄w̄ Rb̄Kfv̄t̄ē `ẽ"̄/gj̄vgj̄ mieiv̄n̄ m̄ūv̄`t̄bī cī Awej̄ t̄x̄^wej̄ cwī t̄kvā Kiv̄ n̄te | t̄Kv̄t̄bv̄ Ae"̄v̄t̄Z̄B̄ t̄Kv̄t̄bv̄ c̄Kvī Aw̄M̄Ų̄ c̄Ųvb̄ Kiv̄ n̄tē bv̄;
- Kv̄h̄Ų`k̄ Rwīī mḡt̄q̄ KvḡW `ẽ"̄/gj̄vgj̄ mieiv̄tnī cwī gv̄Y 15% n̄wm̄ ev̄ ew̄x̄ Kīt̄Z̄ cvī t̄e |
- `ī `v̄Zv̄ KZ̄Ų̄ Dc̄t̄ī ew̄Z̄ kZ̄ēij̄ ī m̄v̄t̄_̄ Am̄vḡĀm̄"̄ ev̄ wēt̄iv̄ac̄Ȳc̄t̄Kv̄t̄bv̄ kZ̄Ā Av̄t̄iv̄c̄ Kiv̄ n̄t̄j̄ D³ `ic̄Ā ew̄Z̄j̄ ēt̄j̄ MY"̄ n̄t̄Z̄ cvī t̄ |
- `ẽ"̄/gj̄vgj̄ mieiv̄tnī t̄Ųt̄Ī̄ mieiv̄n̄ m̄ūb̄ān̄l̄ qvī cī GK ḡvm̄ Ges c̄Z̄ĀKv̄t̄Rī t̄Ųt̄Ī̄ Kiv̄R̄ m̄ūb̄ēKivī cī `ß̄ ḡvm̄ ch̄S̄-Pw̄³ ḡt̄j̄"̄ī 5% BD̄w̄b̄q̄b̄ cwī I ` KZ̄Ų̄

wi tUbbk wntmte ti tL t` l qv nte | G mgtqi gta` wbgfY KvR ev mieivnKZ
 `e`/gvj vgvfj tKvfbv t`wU cvl qv bv tMfj D³ A_@di Z t` l qv nte |

~vji
 AvnYvqK, I qvW@KvgU

Abvj wC weZiY:

1. BDwC Awdftmi tbnUk tewW[©]
2. DctRj v cwi l` Kgfc— Ges DctRj v ~v`r Kgfc i tbnUk tewW[©]
3. nvU-erVi I Ab`vb` mi Kwii c@Z@vb
4. Rbve.....

wbgfYKvRi Rb` `icT weAwiBi (Avi GdiwKD) bgfv
 I qvW@KvgU
 (KvgU i wKvfv)

I qvW@ bs	BDwCqb:
DctRj v:	tRj v:

wbgewYZ iv`+ wbgfYi Rb` I vqW@KvgU e`w³/mieivnKvi v/e`emvqxi wBKU t_tK
 wj tgvniKZ `icT AvnYvb Ki tQ (A_ev hw` iv`+e`ZxZ Ab` KvR nq Zte h_vh_
 weeiY Dfj L-Ki tZ nte):

KvRi eY@v	GKK (Nbwg.)	GKK gj`	c@Z AvBtUfgi Rb` cwi gvY	tgvU gj`

iv`+wbgfY (gvU/BU weQvfbv/ cvKv), hvi gvU i KvRi cwi gvY Wwb Kj vfg t` l qv AvtQ
 Ges AvBtUgl qvii eY@v (t`úwmdtKk tbi Rb` wmwDj t` Lp) |

kZfuj

1. KvR/wbgfYi cY@% t`úwmdtKkb I cwi gvY m@fj Z wmwDj Dcti c@ È wKvfvq
 I qvW@KvgU i wBKU t_tK cvl qv hvte |
2. wj tgvniKZ `icT Aek`B wbtg³ wKvfvq Zvii L..... NwUKvq Rgv
 w`tZ nte (GKwaK ~vfb nte bv) | `icT GKB RvqMvq Ges GKB Zvii tL

- Rbmgf¶¶ tLvj v nte| tLvj vi mgq `i`vZv ev Zvt`i c0Zwbwae;` Dcw`Z _vKtZ cvi teb| `i l`cwbbs wkU Zviv `¶¶i Ki teb;
3. GKK l tgvU gj` (A¶¼ l K_vq) UvKvq D¶j l Ki tZ nte (c0qvRb tgvZvteK cwi enY e`qmn ev e`ZxZ);
 4. `i`vZvtK Aek`B c0qvRbxq gvb m`ubae Ges m`uY`cwi gvtY KvR c0ve Ki tZ nte| hv` GKwaK AvBtUg _vtK, Zvntj mKj AvBtUg m`uY`cwi gvtY c0ve Ki tZ nte|
 5. c0weZ `i Aek`B `wL¶j i tkl w`b t_tK w`b chS-enj _vKtZ nte;
 6. Kvht`k tctj, mieivnKvixK m`uY`KvR Kvht`ki ZwiL t_tK..... w`b i gta` mieivn Ki tZ nte| c0KwZK A_ev wBR wbsqSyemfZ KvY e`wZitK wba¶¶i Z mgq t_tK KvR m`u`b wej wZ n¶j mieivni me¶kl w`b i ci t_tK Am`u`w Z KvRi tgvU gj`i% nvti Pw`i tgvU gj` t_tK KZ0 Kiv nte;
 7. D×Z gj`i Ges c0weZ KvRi gvb l cwi gvtYi wfwEiZ `icI gj`vqb Kiv nte| KvRi gvb, cwi gvtY l Ab`vb` kZ0iY mvtct¶¶ me¶oge`i`vZvtK Kvht`k t`lqv nte;
 8. wogewYZ mWP Abhvq wej cwi tkva Kiv nte (mWP mibte¶kZ Ki tZ nte)| tKv¶bv Ae`vtZB tKv¶bv c0Kvi AwM0 c0vb Kiv nte bv;
 9. Kvht`k Rwi i mg¶q KugwU KvRi mieivni cwi gvtY 15% nwm ev ew× Ki tZ cvi te|
 10. `i`vZv KZ¶ Dcti ewYZ kZ0ej i mvt_ AmvgAm` ev weti vacY`tKv¶bv kZ0 Avtvc Kiv n¶j D3 `icI ewZj etj MY` n¶Z cvi |
 11. `e`/gvj vgvj mieivni t¶¶i mieivn m`ubae¶l qvi ci GK gym Ges cZ0KvRi t¶¶i KvR m`ubaeKivi ci `B gym chS-Pw`3 gj`i 5% BDwbq cwi l` KZ¶ w¶ubkb wntmte ti¶L t`lqv nte| G mg¶qi gta` wbg¶¶ KvR ev mieivnKZ `e`/gvj vgvj tKv¶bv ¶wU cvl qv bv tM¶j D3 A_¶di Z t`lqv nte|

¶¶i, AvnevqK
l qvW`KugwU

Abj¶¶c weZiY :

1. BDwC Awd¶mi tbwUk tevW0
2. DctRj v cwi l` Kg¶c— Ges DctRj v `¶` Kg¶c— i tbwUk tevW0
3. nvU-evRvi l Ab`vb` mi Kwi c0Z0vb
4. Rbve.....

4.3.2.3.2 Avi GduKD c×wZtZ `icI M0Y l tLvj v

- c0B `icI mgn Avi GduKD-tZ D¶j wZ ZwiL, `vb Ges mg¶q `i`vZvt`i Dcw`wZtZ l qvW`KugwU KZ¶ tLvj v nte|
- `icI tLvj vi mg¶q `i`vZv ev Zvt`i c0Zwbwae Dcw`Z _vKtZ cvi teb| bgv¶ wntmte t`lqv `icI tLvj vi weeiY ev Z_`ct¶ wbt`¶KZ Z_`mgn wj wce× Ki tZ nte Ges msuk0-KugwU i m`mMY KZ¶ ¶¶wi Z n¶Z nte|

`icT tLvj vi QK (I tciabs wkU)

BDwbq#bi bvg:	Dc#Rj vi bvg:	tRj vi bvg:
AvB#U#gi eY#v:	c#wZ:	

- `icT AvnYvt#bi Zwi L Ges b#f:
- `icT `wL#j i tkl Zwi L I mgq:
- `icT tLvj vi Zwi L I mgq:

μwgK bs	`icT `wLj Kvi xi bvg	D#Z gj" (UvKvq)	g#e"

`icT `wLj Kvi xM#Yi `v#i

I qw#Kwgu#i m`m`i i `v#i

`icT tLvj vi Q#K `icT `vZv A_ev Zvt`i c#ZwbwMY hw` Dcw`Z `vtKb, Zte Zwi v
`v#i Ki#eb| Avi GdwKD#Z Aek`B D#j #_vK#e th, GKw#K `vtb `icT `wLj
M#Y#hvM" n#e bv|

4.3.2.3.3 Avi GdwKD c#wZ#Z `icT mg#ni gj`vqb

- `icT mg#ni tLvj vi ciciB I qw#Kwgu#i tKvt#vi #c w#j #`bv K#i c#B `icT mg#ni
gj`vqb i i" Ki#eb|
- gj`vq#bi t#t#t Kwgu#i `icT i kZ#w#j I gj`vqb c#wZ K#vi f#te Abyni Y
Ki#e| c#hvR" t#t#t W#eD#m kZ#l wbgg#w#j c#Y mvtc#t#t m#l#og#e i `vZvtK
Kvh#k t` I qvi m#cwik Ki#e| I qw#Kwgu#i 75% m`m`i Dcw`#Z#Z MpxZ
w#x#s`ea etj w#e#vPZ n#e| `icT gj`vq#bi t#t#t gj`vqb QK e`e#Z n#e|

`icT gj`vqb c#Z#e`b QK

BDwbq#bi bvg:	Dc#Rj vi bvg:	tRj vi bvg:
AvB#U#gi eY#v:		

- `icT AvnYvt#bi Zwi L I b#f:
- `icT tLvj vi Zwi L I mgq:

μ.bs	`icĪ `wLj Kvi xi bvg I wKv bv	D0Ē gj'' (UvKvq)	gj'' I qwi Ae`vbμg	wbaŋi Z †`úwmd†Kkb Ges cwi gvY	`wLj KZ †`úwmd†Kkb Ges cwi gvY	gj''vqb KigūJi gšē'' Ges w×vš- /mçwi k

I qW^qKigūJi m`m†`i `ŋi I Zwi L

- mieivn Av†`k/Kvhŋ`k c0vb

wb†gē QK Ab†vqx I qW^qKigūJi Avnŋv†Ki `ŋ†i Kvhŋ`k Rwi Kiv n†ē| Z†ē
Avnŋv†Ki Abçw`wZ†Z KigūJ KZŔ g†bvbxZ GKRb m`m` Avnŋv†Ki `wqZi cvj b
Ki†ēb| Kvhŋ`†ki Ab†j wç w`g ZĒyearb KigūJi AvnevqK†K w†Z n†ē|

gvj vgvj mieiv†ni Kvhŋ`k c0v†bi bgbv
I qW^qKigūJ (KigūJi wKv bv)

I qW ^q bs	BD†bqb:
Dc†Rj v:	†Rj v:

c0Z

Rbve/tgmvm^o.....

wKv bv:

welq : (`ē`mvgMŋi bvg) mieiv†ni Kvhŋ`k|

Avcbvi Zwi†Li `icĪ Ab†vqx Avcbv†K Avb†`i mv†_ Rvbw'Q th, I qW^q
KigūJ wbgēQ†K eŋYŒ cwi gvY I g†j'' eŋYŒ `ē`/gvj vgvj mieiv†ni R†b` Avcbvi
`wLj KZ `icĪ meŋgē`icĪ w††m†ē MŋY K†i†Q|

`ē`mvgMŋi eYŋv I cwi gvY	GKK gj''	†gvJ gj''
†gvU: (A†¼)		
K_vq:		

KvhRvj I kZ@ej :

1. G KvhR^k Rwi nI qvi w` tbi gta` AvcbvK Aek`B `e`/gvj vgtj i tgvU cwi gvY vbgewYZ `vfb Ges `wqZc0B e`w3 ev Zvi c0Zwbwai wBKU mieivn KitZ nte| (`vb I `wqZc0B e`w3 i bvg Dtj E-Ki`b)|
2. c0KwZK A_ev wBR wbgSYewfZ KviY e`wZtiK wbaRi Z mgq t_tK mieivn vej wZ ntj mieivni mefkl w` tbi ci t_tK AmieivnKZ gvj vgvj / `e`mvgMx tgvU gTj `i% nvti Pw3 i tgvU gj` t_tK KZ0 Kiv nte;
3. `ictI i weAwi Bi Abt`Q` ... Abjvni mieivnKZ `e`/gvj vgtj i cwi gvY % nvm/ewx Kiv ntqtQ (c0hvR` ntj)|
4. mtSv RbKfvte `e`/gvj vgvj mieivn m`ubentj Awej t`^vej cwi tKva Kiv nte, Zte tKvfbv AwM0 c^ vb Kiv nte bv|
5. (c0hvR` tTtI) Abt`Q` -1 Abjvni `e`/gvj vgvj mieivni wbaRi Z `vb chS- `e`/gvj vgvj cwienY G KvhR^tki AŠfP, Ges cwienY e`q Dcti ewYZ KvhR^ k-gTj` AŠfP|
6. Abt`Q` -1 G wbaRi Z mieivni `vfb mieivnKvj hw` tKvfbv `e`/gvj vgvj TvwZM0 -nq ev mieivn `vfb tKvfbv `e`/gvj vgvj e`envi -AthvM` cwij wTj nq, tmTtT Avcbw wBR e`tq Hifc `e`/gvj vgvj cp:mieivn KitZ eva` _vKteb|
7. `e`/gvj vgvj mieivni tTtI mieivn m`ubentI qvi ci GK gvm Ges cZKvRi tTtI KvR m`ubaeKivi ci `B gvm chS-Pw3 gTj `i 5% BDwbqb cwil` KZR wi tUbbk wntmte titL t`I qv nte| G mgtqi gta` wbgPv KvR ev mieivnKZ `e`/gvj vgtj tKvfbv T`wU cvl qv bv tMtj D3 A_@di Z t`I qv nte|

`Tj i
AvnYvqK, I qvW@KugwU

AeMwZ I c0qvRbxq e`e`v M0tYi Rb` Abjvnc:

1. tPqvi g`vb,BDwC
2. mwPe, BDwC
3. AvnYvqK, w`g ZEYeavb KugwU, M0g....., I qvW@bs..... BDwC.....

wbgfY KvtrI Rb" Kvhf`tki bgfv
I qvWqKugwU (KugwUj wKvbr)

I qvWqbs	BDwbqb:
DctRj v:	tRj v:

c0Z

Rbve/tgmvm©.....

wKvbr:

welq : (KvtrI bvg) mieivtni Kvhf`k |

Avcbvi Zwi tLi `icT Abjvqx AvcbvtK Avbt`i mv t_ Rvbw'Q th, I qvWq
KugwU wbgæQtk ewYz cwi gvY I g t j " KvR mæuv` tbi Rtb" mewbgæMhYthwM" `icT
wntmte Avcbvi `wLj KZ `icT MhY Kti tQ |

KvtrI eYb I cwi gvY	GKK gj "	tgU gj "
tgU: (A t 1/4)		
K_vq:		

KvhRvj I kZewj :

1. Dcti ewYz QK Abjvtni G Kvhf`k Rwi nI qvi Zwi L t_tK w` tbi gta"
AvcbvtK KvR tkl Ki tZ nte Ges wbgæeYb Abjvtni `wqZc0B e" w3 ev Zvi
c0Zibwai wKv mguB KvR n`vst Ki tZ nte | (-vb I `wqZc0B e" w3 i bvg D t j L
Ki "b) |
2. c0KwZK A_ev wBR wbgšYewnfz Kvi Y e"vZti tK wbañi Z mgq t_tK KvR mæuv` b
wej wæZ ntj KvR mæubænl qvi Rb" wbañi Z mekl w` tbi ci t_tK tgU
g t j " i % nvti Pw3 i tgU gj " t_tK KZ0 Kiv nte;
3. `icT i weAwBi Abt"Q` Abjvtni KvtrI cwi gvY % nwm/ewx Kiv ntqtQ
(c0hvr" ntj) |
4. Zdwj Abjvtni wej cwi tkva Kiv nte (GKwU Zdwj msthwrZ Ki tZ nte) |
5. tKvtrv Ae`vtZB tKvtrv cKvi AwMg c0vb Kiv nte bv |
6. `e"/gvj vgvj mieivtni tñtñ mieivn mæubænl qvi ci GK gvm Ges cZqKvtrI
tñtñ KvR mæubæKivi ci `B gvm chS-Pw3 g t j " i 5% BDwbqb cwi I ` KZR
wi tUkbb wntmte titL t` I qv nte | G mg tqi gta" wbgfY KvtrI ev mieivnKZ
`e"/gvj vgvj tKvtrv T`wU cvl qv bv tM t j D3 A_ qdi Z t` I qv nte |

-ññi

AvnYvqK, I qvWqKugwU

AeMwZ I c0qvRbxq e"v MhYi Rb" Abjvnc :

1. tPqvi g`vb,BDwC
2. mwPe, BDwC
3. AvnYvqK, w`g ZEYeavb KugwU, M0g....., I qvWqbs..... BDwC.....

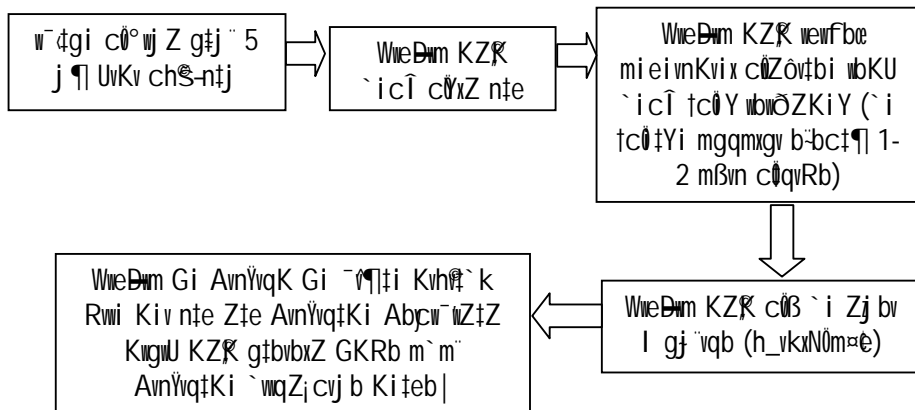
4.3.2.3.4. wej cwi tkvtai Zdmj

tUÜvi tbwUtiki 4 bs AvBtUtgi kZ^ggvZvteK wbgewYZ fite gj^g cwi tkva Kiv nte:
(hv WweDm Ges Dbj^g `icIi t^gt^g `icI gj^gvqb Kugw KZR wba^g Z nte)

µg	AvBtUg	cwi tkvtai cwi gvY
K) KvR (KvRi weeiY ev AvbgwobK kZKiv nvi) mšwRbKfite tkl nl qvi ci	KvR mšúbe Ges tm cwi gvY wej `wLj mvtct ^g
L) KvR (KvRi weeiY ev AvbgwobK kZKiv nvi) mšwRbKfite tkl nl qvi ci (Abjfc BZ ^w AvKv ⁱ kZ ^P t ^g l qv thZ cv ⁱ)	
M)	wdbwks KvRi ci GmGmw I ZrcieZ ^P Kv ^{tj} WweDm KZR c ^Z qb mvtct ^g	me ^g gvU `wLj KZ wej i 100%

- wewfbaKvMrcI^g `wLj : w^g ev^gvqb tk^gl l qvW^gKugw Avek^gKfite w^g msuké-mKj KvMrcI (wej, fvDPi, tKvUkb, BZ^w) BDwbqb cwi l^g miPtei wBKU cKⁱ bw^g tZ msi^g t^gYi Rb^g `wLj Ki^gteb|

4.3.2.3.5 Avi GdwKD µg c^gµqvi t^gdv-PvU^g



4.3.3. Dbj^g `icI c^gwZ

Gj wRGmw:2-Gi Avl Zvq ewa^g t^gvK eiv^g t^gt^g Q^gK ew^gY KvRi c^gKuZ l^g gj^g mxgvi Avl Zvq µg c^gµqvi t^gt^g met^gPtq K^gw^g tZ c^gwZ ntj v Dbj^g `icI c^gwZ | G welq Abj^g t^gYi Rb^g mi Kwi µg wewagvj vq ZvM^g t^g l qv ntq^gQ | G c^gwZi K^gtqKw m^gdj i^gtq^gQ :

- evR^gt^gi msuké- gvj vgvj mieivnKvix/cZ^gKvRi wKv^g vi mi vmi fite `i c^gZ^gthwMZvq AskM^gY Ki^gtZ cv^gteb;
- Gi dtj c^gZ^gthwMZvqj K g^gt^g gvj vgvj /KvR cvl qv hvq Ges w^g tgi A^g-^gmvk^g tZ cv^gi;

- „YMZ gv̄tbi gv̄j vgv̄j /Kv̄R cvl qvi m̄thv̄M m̄wó nq;
- `icĀ Kvḡw̄i m`mMY weirfb̄etckv I ms`v t_#K w̄btq̄w̄RZ nb weavq μqKv̄tR c̄ŋc̄w̄ZZ; Gov̄t̄bv m̄e nq A_ŋ μqKv̄ix KZŔ t̄Kv̄t̄bv mi eivnKv̄ixK Āt̄nZK ev Av̄bq̄w̄Z m̄thv̄M t` I qvi m̄ēb̄v _v̄t̄K bv;
- G c̄ūμqv̄q BD̄w̄ci μqKv̄tR `#i `#i `^QZv I Reven̄w̄nZv w̄b̄w̄ōZ Kivi e`e`v̄ īt̄q̄Q|

4.3.3.1. Db̄ȳß `icĀ c̄ūμqv̄i t̄ŋt̄Ā w̄bt̄Pi w̄el q_#jv Av̄m̄iY Kīt̄Z n̄t̄e:

Av̄t̄gv̄w̄ Z `w̄gmḡt̄ni gv̄j vgv̄j, w̄bḡŲ I cZŔv̄t̄Ri c̄ŋ`w̄j Z gj` hw̄ 5,00,000.00 (c̄ūP j ŋ) Uv̄Kvi D̄t̄aY`nq, Z̄t̄e t̄m̄t̄ŋt̄Ā BD̄w̄bq̄b c̄w̄i l` KZŔ M̄w̄Z GK̄w̄ `icĀ gj`v̄qb Kvḡw̄t̄K Db̄ȳß `icĀ Av̄n̄Yv̄b c̄x̄w̄Z Av̄m̄iY Kīt̄Z n̄t̄e|

Ḡt̄ŋt̄Ā w̄bḡēfc GK̄w̄ gj`v̄qb Kvḡw̄ M̄Vb Kīt̄Z n̄t̄e:

1	GKRb `v̄bxq MY`gv̄b` e`w̄³ thgb Kt̄j t̄Ri w̄k̄ŋK/`v̄bxq D`P w̄e`vj̄t̄qi c̄āvb w̄k̄ŋKt̄K Av̄n̄Yv̄qK Kiv t̄t̄Z cv̄t̄i Dch̄ȳß e`w̄³ bv̄ t̄c̄t̄j Dc̄t̄Rjv w̄beŋx KgŔZŲ KZŔ ḡt̄bv̄bxZ GKRb mi Kwi KgŔZŲ	`icĀ gj`v̄qb Kvḡw̄i Av̄n̄Yv̄qK w̄n̄m̄v̄t̄e `w̄qZ; cv̄j b Kīt̄eb
2	Dc̄t̄Rjv w̄beŋx Av̄dm̄vi KZŔ ḡt̄bv̄bxZ Dc̄t̄Rjv ch̄ŋqi KgŔZŲ	Kvḡw̄i m`m`
3	BD̄w̄bq̄b c̄w̄i l` m̄w̄Pe	Kvḡw̄i m`m` m̄w̄Pe
4	BD̄w̄bq̄b w̄n̄m̄ve m̄nKv̄ix (hw̄ _v̄t̄K)	Kvḡw̄i m`m`
5	BD̄w̄c KZŔ ḡt̄bv̄bxZ GKRb BD̄w̄c ch̄ŋqi KgŔZŲ/KgPv̄ix	Kvḡw̄i m`m`

4.3.3.2. Db̄ȳß `icĀ c̄x̄w̄Zi t̄ŋt̄Ā `icĀ c̄ŋvi ev c̄Kv̄t̄ki Rb` w̄bt̄P ev̄w̄Z c̄x̄w̄Zm̄gn Av̄m̄iY Kīt̄Z n̄t̄e

- G c̄ūμqv̄q `icĀ Av̄n̄Yv̄b w̄eÁw̄ß b`bZg GK̄w̄ `v̄bxq c̄w̄i K̄v̄q c̄Kv̄k w̄b̄w̄ōZ Kīt̄Z n̄t̄e;
- `icĀ w̄eÁw̄ß: BD̄w̄bq̄b c̄w̄i t̄i w̄n̄x̄v̄š̄t̄g BD̄w̄bq̄b c̄w̄i l` m̄w̄Pe `v̄bxq /Rv̄Zxq c̄w̄i K̄v̄, mi Kwi Av̄dm̄mḡt̄ni t̄b̄w̄Jk̄t̄ev̄W̄ēw̄YK m̄vḡw̄Zi Av̄dm̄, c̄Kv̄k` `v̄t̄b `w̄cZ w̄eÁcb̄t̄ev̄W̄BZ`w̄ t̄Z c̄Kv̄t̄ki ḡv̄a`tg `icĀ Av̄n̄Yv̄b Kīt̄Z n̄t̄e|
- w̄eirfb̄em̄i Kwi I ev̄w̄Yw̄R`K c̄ŋZōvb I c̄Kv̄k` `v̄t̄b e`vc̄K c̄ŋvi I c̄ŋk̄ŋbi e`e`v̄ w̄bt̄Z n̄t̄e Ges m̄ēe n̄t̄j B̄t̄j ±̄ibK w̄gv̄w̄qv̄q c̄Kv̄t̄ki e`e`v̄ Kīt̄Z n̄t̄e;
- `icĀ w̄eÁw̄ßi b̄ḡj̄v̄ QK : `icĀ w̄eÁw̄ßi c̄t̄eŋ` I qv̄ b̄ḡj̄v̄ QK Av̄h̄v̄qx n̄t̄e;
- `icĀ `w̄l̄t̄j i mḡqm̄x̄v̄ BD̄w̄c KZŔ w̄b̄aŋi Z n̄t̄e, Z̄t̄e Zv̄ 14(t̄PŠĪ) w̄ t̄bi Kg n̄t̄e bv̄|

4.3.3.3. DbjP `icI `wj cOZ I PevŠKiY

- `icI `wj cOZ I PevŠKiYi Rb" BDwbqbw cwi I` GKwU BDwc cwi KÍbv
KwguU MvB KiTe| D³ KwguU QK Abhvqx `icI `wj cOZ KiTe|

`icI AvnYvtbi OK (AvBGdWU)
 BDwbqbw cwi I` :.....
 DctRjv:.....
 tRjv:.....
 gvj vgvj /wbgP KvtRi `icI AvnYvb
 (gvj vgvj /wbgP KvtRi weeiY)

..... DctRjvaxb BDwbqbw cwi I` KZP
 MYcRvZŠx evsjvt`k miKvtii GjWRGmuc:2 cKtíi AvI Zvq gvj vgvj
 mieivn/wbgP KvtRi Rb" cKZ e'emvqv/`icI `vZvt`i woku wmj tgvni KZ `icI
 AvnYvb Kiv hv`Q|

AvMhX `i`vZv/cOZôvb/e"³ KZP `icI `wj tji kZPewj tgvZvteK `icI `wLj
 KiTZ nte| `icI `wj wbgP i Kvi xi `Bi t`K mSMh Kiv hvte|

`icI/cOZôvb/e"³ i tKvtbv ÁvZe" _vKtj Zviv wbgP i Kvi xi `Bti Zwi L
 chS-Awdm Pj vKvtj thvMvthvM KiTZ cvi teb|

`icI `wj tji kZP tgvZvteK cOxZ `icI Aek"B Zwi L NuUKvi
 gta" ev Zrc te wbgP i Kvi xi `Bti `wLj KiTZ nte|

`Pqvi
 tPqvi g'vb
 BDwc.....

AeMwzi Rb" Abvj wc tcoY Kiv ntjv:

- 1.
- 2.
- 3.
- 4.
- 5.

tuUvi WKtgUui QK
(BDwbqb cwi l` i bvg)

..... KvtrRi Rb` `icT `wj j
Gj wRGmwc:2, MYcRvZSx evsj vt` k mi Kvi
tbwUK

..... BDwbqb cwi l` i Aaxb `vfb. KvtrRi (c0hvr` tqtT
gvj vgvj /` e`w` mieivn) Rb` Abjfc KvtrRi AwfAZvm=ubae(KvtrRi ai`bi wfvEzZ
Abjfc KvR/e`emvqxi tqtT AZxZ AwfAZvi weeiY D`tj L- KitZ nte)
wKv`vi/e`emvqx/e`w`i w`bKU t`tk wnj tgvni KZ `icT AvnYvb Kiv hv`Q|

kZGes wbgvewj

1. mshp wmwD`j KvR/gvj vgvj /` e`w` Ges KvtrRi `vb (Ges c0hvr` tqtT
gvj vgvj /` e`w` mieivt`ni `vb) eYbv Kiv ntqtQ|
2. Kvh`k cvl qvi w`tbi gta` `i`vZv KZR KvR (ev gvj vgvj /` e`w`
mieivn) m=ubaeKiZ nte|
3. wbgv KvR (c0hvr` tqtT mieivn) m=uv`tbi ci gj` cwi tkva Kiv nte|
4. `e`/gvj vgvj mieivt`ni tqtT mieivn m=ubaeI qvi ci GK gym Ges cZKvtrRi
tqtT KvR m=ubaeKivi ci `B gym chS-Pw`g`j `i 5% BDwbqb cwi l` KZR
wi`Ubbk wntmte ti`L t`lqv nte| G mg`qi gta` wbgv KvtrR ev mieivnKZ
`e`/gvj vgvj tKvtrv T`w cvl qv bv tM`j D` A`di Z t`lqv nte|
5. t`umwcd`Kkb Abjvqx Ges wba`wi Z mgqmxgvi gta` KvR ev `e`/gvj vgvj mieivn
ev m=uv`bmvct`q melbgagj`wqZ `i`vZvtK Kvh`k t`lqv nte|
6. `i`vZv `icT`i wmwD`j (c0hvr` tqtT ditgu) h_vh_fvte ciY Kit`eb Ges
A`gvPbxq Kwj w`tq `q`i Kit`eb| gj`wqZ `i`vZvtK Kvh`k t`lqv nte|
7. `wLj KZ `i`icT `wL`j i w`b t`tk w`b chS-ej er_vKte|
8. `icT Zwi`L NwUKvi gta` ev Zrc`e`bgw/Kvtrvq `wLj KitZ
nte (GKwaK `vfb tLvjv nte bv)| `icT D` `vfb I GKB Zwi`L
NwUKvq tLvjv nte| tLvjvi mgq `i`vZv ev Zvt`i c0Zwbvae` Dcw`Z_vKtZ
cvi`eb|
9. tKvtrv `icT `icT `wj`j i th tKvtrv ev mKj kZ`ciY bv Kitj Zv bb-
timcbwvf wntmte ewZj ntZ cvti|
10. KZ`q tKvtrv KviY `k`bv e`wZit`k th tKvtrv `icT M`Y ev ewZj Kivi
AwaKvi msi`qY Kti|

`q`i
tPqvi g`vb,
..... BDwbqb cwi l`

AeMwZ I c0qRbxq e'e~v M0tYi Rb" Abvj uc tc0Y Kiv ntj v:

- 1.
- 2.
- 3.

`ic1 KvtRi weeiY, KvtRi cwi gvY, `ic1 `vZv`i `i Dtj #`i Kj vg BZ`w` c0mwZK
 weI qw` AŠf` _vKte|

`ic1 `wj tj i wmwVDtj i bgbv
 BDwbqb cwi l` :.....
 Dc1Rj v:.....
 tRj v:.....

KvtRi eY0v I Ae~vb	KvtRi GKK	KvtRi cwi gvY	GKK gj` (UvKv)	tgvU gj` (UvKv)	`i `vZv KZK c0 weZ ev~evqtbi vba0i Z mgqmxgv	`i envj _vKvi c0 weZ mgqmxgv
1	2	3	4	5(3x4)	6	7

~07|i
 `i `vZv/e`emvqv/mi ei vnKvi x/e`w3

`ic1 `wj tj Dtj E_vKte th, `ic1 M0tYi mgqmxgv tkl nl qvi m½ m½ ev Zvi
 ciciB `ic1 mgn tLjv nte|

- Dbj³ `icĪ MōYKvĵ Ges `icĪ tLvj vi mgq wbtPi c×wZ AbyniY KiĵZ nte
- `icĪ ewY² mgqmP Abjvqx `icĪ MōYi Rb³ BDwc mPe `wqZcōB _vKte |
 - `icĪ BDwc Kvĥĵ tqi GKwU gvĪ ṽvb Rgv MōYi e²ev wbtZ nte |
 - `icĪ cōvbKvix²i ev cōvbKvix²K D³ ṽvb GKwU mjwĴZ evĵ. `icĪ Rgvi e²ev wbtZ KiĵZ nte |
 - GĵZ Avĵiv Dĵj l_vKte th, `i²vZvMY ev Zvĵ²i cōZwbaMY `icĪ tLvj vi mgq Dcw²Z _vKĵZ cviĵeb Ges Zviv PvBĵj tUĒvi I ĵcws wkĵU ṽvĴi Kiĵeb |
 - tUŪvi I ĵcws wkĵUi Kwc webvgĵj ṽi²vZvMYĵK t²I qv thĵZ cviĵ |

`icĪ tLvj vi bgjv Z_wkU
 BDwbqb cwi l` :.....
 DctRj v:..... tRj v:.....

KvĵRi weeiY:
 μqc×wZ:
 `icĪ / tKvĵUkb Avn²vĵbi Zwi L I b=ĵ:
 `icĪ / tKvĵUkb ṽwLĵj i meĴkl Zwi L:
 `icĪ tLvj vi Zwi L:.....

μwgK bs	`i ² vZvi bvg I wKvbr	D×Z gj ²	gše ²
1			
2			
3			
4			
5			
6			
7			
8			
9			
10			

`icĪ gj²vqb KwguLi m²m²i ṽvĴi `i²vZvĵ²i ṽvĴi

`icI `wj tj Avtiv D tj E_vKte th, GKvnaK `vfb `icI `vmlj MhYthvM` nte bv
BDwc c0qvRb tevta BDwbqb A_ev DctRjv chiqi msuké- KgRZf wBKU t_tK KwI Mwi mnvqZv MhY Ki te
`icI `wj j cvlqvi cici BDwc mwpE `icI i c0qvRbxq msL`K KwC Kti weAwB c0viki ci AvMhx `i `vZv`i gta weZiY/wepiqi e`v Ki te
BDwbqb cwI l` mwpE BDwbqb cwI t`i AvI Zvq mKj μqmsμvš c0qvRbxq KvMRcI l `wj vw` c0Z Ki te Ges BDwbqb cwI l` tPqivg`vb Zv `qI Ki te b
BDwc mwpE GZ`msuké-mKj tiKW©Ges `icI weμq t_tK c0B At_φ mgj q wmwve msi qIY Ki te

`icI gj`vqb c×vZ

- gj`vqb KugwI c0Z`K m`m` `icI `wj tj ewYz wbgvewj l `icI ewYz c0Zw gvcKwW chqj vPbv Kti cixqIv wixqIv Ki te b|
- G mKj gvcKwVi wecixZ `icI `vZvi thvM`Zv Ges cvkvcwk AthvM`Zvi (hv`_vfk) weiy wj wce× Ki tZ nte|
- cieZP`mgta G mKj wela A_φ `i `vZvi bvg, `icI `wj tj ewYz Pwn`v ev gvcKwW Ges cvkvcwk `icI ewYz gvcKwVi wfwE`Z mKj `i `vZvi wecixZ GKwU OK `Zvi Ki tZ nte|
- `icI gj`vqb KugwU wbañi Z mgta gta` gj`vqb KvR Ki te|
- KugwU Zvi gj`vqb c0Z`te`b mýúofvte MhYthvM` l me0ge`i `vZvi bvg mpcwi k Ki te| hv` tKvfbv tqt` me0ge`i `vZvi bvg mpcwi k bv Kiv nq, tm`qt` mýúo KviY D tj E Ki tZ nte| cieZP`i `vZv tkb MhYthvM` etj wetePZ nteb, Zvi thšw`K KviYI mýúofvte D tj E Ki tZ nte Ges c0qvRtb Gifc c0μqv μgvštq AbmiY Ki tZ nte| tKvfbv KviY tKvfbv m`m` mpcwi k c0μqvq th tKvfbv wela GKgZ bv ntj, tm`qt` wZwb Zvi wfbgZ c0vb Ki te b|
- mefkl GKwU Pevš-gj`vqb c0Z`te`b KugwI mKj m`tm`i `qI`i ci `vmlj Ki te|
- thvM`Zvi Zj bvgj K weiy c0Z` Kti c0qvRtb `vmlj KZ `wj vw` ev`te ev mi Rwgfb hvPvB Ki tZ nte|
- KwI Mwi gj`vqb KugwI mKtji HKgtZ`i wfwE`Z MhYthvM` ev AMhYthvM`Zvi e`vL`vnn `i `vZv`i GKwU Zwj Kv c0Z` Ki tZ nte Ges `icI gj`vqb KugwU c0qvRbxq Z` wj wce× Ki te|
- Dbj` `i Avnvtbi hv` tkej GKRb `i `vZv AskMhY Kti Zvntj Zv gj`vq`bi Rb` wetePbv Kiv hvte Ges `i `vZv hv` MhYthvM` (timcwYf) GKRb gvI nb A_φ tUÉvtii mKj kZ`ciY Ktib Ges `i `vZv KZR` c0weZ gj` c0`wj Z g`i gta`_vfk Zte tmB `i `vZvK gj`vqb KugwU thvM` `i `vZv wntmte mpcwi k Ki te|

`icĭ gj`vqb cĕZte`b OK
 BDĭbqb cwi l` :
 DctRj v:
 †Rj v:
 `icĭ gj`vqb cĕZte`b

	gj`vqb gvcKwV						`icĭ gj`vqb Kvguĭi mꝑwi k
	`i`vZvi †hwM`Zv (AZxZ AurFÁZv, Kg ^{ee} ei Yx, BZ`vr`) (MhY†hwM`/ MhY†hwM` bq)	mieiv†ni j††ĭ cĕweZ Kv†Ri/ gvj vgr†j i †`uwmcdiKkb (AbjmZ/ AbjmZ bq)	`ic†ĭi Ab`vb` kZ†eij (AbjmZ/ AbjmZ bq)	D×Z GKK gj`	D×Z gj`	mweK MhY†hwM`Zv	D×Z gj` Ab†vqx Ae`rb
	1	2	3	4	5	6	7
`icĭ - 1							
`icĭ - 2							
`icĭ - 3							
`icĭ - 4							
`icĭ - 5							
`icĭ - 6							
`icĭ - 7							

`icĭ gj`vqb Kvguĭi m`m†`i `††ĭ

`icĭ gj`vqb cĕZte`b Ab†gv`b

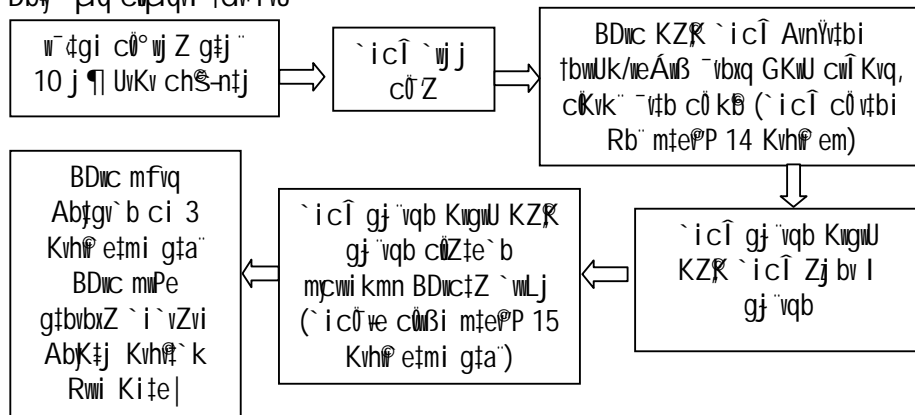
- BDĭbqb cwi l` `icĭ gj`vqb cĕZte`b ch††j vPbv Ki†Z cwi l†`i mfvq Dc`vcb Ki†eb|
- ch††j vPbvKv†j BDĭbqb cwi l` `icĭ gj`vqb Kvguĭi woku msiKē-wel†q th †Kv†bv e`vL`v Pvb†Z cvi†e ev th †Kv†bv wel†q e`vL`v cĕv†bi Rb` `icĭ gj`vqb Kvguĭ†K BDĭbqb cwi l†`i mfvq Dcwi`Z _vK†Z Ab†iva Ki†Z cvi†e Ges mꝑwi k Ab†gv`b m††c††† Kvh†† k w†Z cvi†e A_ev cĕZte`†bi AvsikK A_ev m`úY†MhY A_ev eR† Ki†Z cvi†e|

Kvh†† k cĕvb Ges Pw³ `††ĭ

- BDĭbqb cwi l` KZ† Kvh†† k cĕv†bi mꝑwi k Ab†gv`†bi 3 Kvh†† e†mi g†a` BDĭc m†Pe g†bvbxZ `i`vZvi Ab†††j Kvh†† k Rwi Ki†e|

- gvj vgvj μtqi Rb` cteewYZ QK Abhvqx Kvhf`k Rwi KiZ nte Ges wbgP KvtRi Rb` QK Abhvqx Kvhf`k Rwi KiZ nte| Zte Dfq tPtt Qtk ewYZ I qvWqKuglUj wKvbi `tj BDuci wKvbi Ges AvnYvqK WneDwm-Gi cwietZBDuc miPe KZR` tPtt Z nte|
- msiké-mKj KvMRctTi Kuc msiké-DctRjv wbePnx Awdmvi, BDwbqbw cwil` tPqvi g`vb, I qvWqgPti Ges w`g ZEYeavb KuglUj woku tclY Kite|

DbP μq cμqvi tdr-PvU©



w`g ev`evqb KvhPrg ZEYeavb

w`g ZEYeavb KuglU (GmGmm) Acvtikbj g`vbtqTj ewYZ Kg@wi wa I`wqZj Avl Zvq w`dgi ev`evqb ZEYeavb Kite| GtPtt mKj w`g ZEYeavb KvtR WneDwm GmGmmtK`b w`b wfvEtZ mnthwMZv w`te|

w`g ZEYeavb KuglUj`wqZj

- Abfgw`Z μqmsμvš-I ev`evqb cwI Kíbvq wbt`KZ gvb, cwI gvY, wbaPti Z mgTqi wfvEtZ w`g ev`evqb ZEYeavtbi j tPtt c0ZwbqZ gubUwi s Kiv;
- w`g ev`evqb μul wPnyZ ntj WneDwmK mstkvatbi DcvqmgR Rvbvbtv| WneDwm mstkvab bv Kitj BDwbqbw cwil` Ges BDwbqbw cwil` mstkvab bv Kitj wewRimw-tZ cvvTbv;
- mpcwi kKZ GI qvWqGes weWwitt`iK Kvhf`k Ges Gi cIve m=utK©RbMYtK AemZ ivLv|

wKv`vit`i gva`tg ev`evqbvaxb w`dgi bRi`wii

wKv`vit`i gva`tg w`g ev`eqtbi tPtt GmGmm`vbxq bRi`wittZ wbowZ Kite| w`gmgTni Kvhf`k, Pp3cI Pevš-Ges Pevš-wRvBb I LitPi wnmvtei GKul Kuc msiké-GmGmmmgTni mi eivn Kitz nte|

- wKv`vit`i KvtRi`b w`b mZKbRi`wii;
- th tKvbtv`vbxq Dt`wMtk DrmwvZ Kiv;

- tKvfbv mgnv ev RvUj Zvi tqt msuké-WweDm-i KvQ wi tcvUQKiv;
- wKv`vi t i cvl bv cZ`qb Kiv|

μq msμvS` wj j w` bw_c tI msi qY

BDwbqbw cwi l` mPe BDwbqbw cwi l t` i μq cμqv-msuké-mKj KvMRcI h_vh_fvte
 bw_fj³ Kti i qYvte qY l msi q tYi `wqZi cjb Kiteb Ges cQvRtb AwWU ev
 mi Kv t i Pwin`v Abjv t i Zv cieZ`cix qv-ubix qvi Rb` tck Kiteb|

`icI cμqvKi tYi mgqmxgv

μq c×wZ	w`gc tZ, w`g Abjgv`b, `icI c tZ, Kv t Ri eYbv	`icI tclY ev weAwB cKv tki ci `icI Rgv t` l qvi mgqmxgv	`icI tLj v l `icI gj`vqb	Kvh ³ k c0vb l P ³
mi vmi μq	ewl ³ μq, cwi K t bvi mgqmP Abjvqx Kv t Ri cwi wa ev gvb`E (t`úmm tKkb) uba ³ Y Kti `i hvPvB Kti evRvi t` tK mi vmi μq			QK Abjvqx
wi tKv t q÷ di tKv t Ukb (Avi Gd ³ KD)	Kv t Ri cwi wa ev gvb`E (t`úmm tKkb) uba ³ Y Kti `icI AvnYvb QK Abjvqx `icI msuké-mie i v nKvixi ubKU tclY	1-2 mβvn	`icI B i ci wej`bv Kti gj`vqb Kite	gj`vq tbi 3 w` tbi g t a` B WweDm Gi AvnYvq t Ki ` q t i Kvh ³ k
Dbj ³ `icI	Kv t Ri cwi wa ev gvb`E (t`úmm tKkb) uba ³ Y Kti `icI AvnYvb QK Abjvqx `icI weAwB 1wU `v b i q cwi K v q cKv k, mi Kw i Aw d m m g t n i Aw d m t e v t W ³ e w Y K m i g u Z i Aw d m l cKv k` `v t b c P t i i e` e `v v b t Z n t e	Kgc t q 14 w` b	m t e v P 15 w` b	3 Kvh ³ e t m i g t a` B D w c m P t e i ` q t i Kvh ³ k

Y i v l t Z n t e:

th tKvfbv μq cμqvq 45 w` b Etal³ mgq t b l qv h r t e b v|

hw` μq Kvixi c0` wj Z g t j` i m r t` ev Rvi` t i l V b v g v q `icI v b K v i x i `icI v t e i g t j` i Z v i Z g` A` v f w e K f v t e A w a K n q, Z v t j μ q K i g u w e l q u A c v t i k b j g` v b t q t j i μ q c μ q v A b j v q x w m x i S` M b Y K i t e|

Dbj ³ `icI c×wZ	mβvn						
	1	2	3	4	5	6	7
`icI Rgv`v tbi mgqmxgv	█	█					
`icI gj`vqb			█	█			
Kvh ³ k					█		

Avi Gd ³ KD c×wZ	mβvn						
	1	2	3	4	5	6	7
`icI Rgv`v tbi mgqmxgv	█	█					
`icI gj`vqb			█				
Kvh ³ k				█			

μq cμq ev evqtb Ki Yxq I weteP mel qmgn

- Dbyß `icĀ AvnYvrb mieivn I wbgP KvrRi Rb` tUĒvi wmwDġi i thšw³K gj` BDwC wbaŋY Ki te|
- `e`/gvj vgvj mieivni tġġġ mieivn m³ub³l qvi ci 1 (GK) gym Ges KvrRi tġġġ Kvr m³ub³Kivi ci 2 (β) gym ch³-Pw³gġġ i 5% BDwqbc cwi I` KZR wi tUbbk wntmte ti tL t` I qv nte|
- G mgtqi gta` wbgP KvrR ev mieivn KZ `e`/gvj vgvj tKvrbv Ĩ wU cvl qv bv tMġ D³ A_ġdi Z t` I qv hte|
- mieivn Kvi ev wKv` vti Kvh³ k tgvZvteK Kvh³úv` tb e`_ġnj BDwC Ges WwE³ w`^` tġġġ wi tUbbk ev Rvgvbt Zi A_ġvRqv³ Kivi w³vš`vbtZ cvi te|

4.4. μq m³úwKZ wi tcvU³cKvk, AwfthvM w³úwĒ, Ĩ wUcY³μq wbi xġv

4.4.1. μq I w`g ev evqbc m³úvš`cġZte` b

Gj wRGmici Avl Zvq MpxZ wvfb³ w`đgi μq I ev evqtb AM³wZ I mgm³v m³úvš`cġZte` b BDwC KZR Ĩ gwmK wfvĒtZ m³úvš`DcġRj v wbe³ Awdmv³i i w³KU tġY Ki te| m³úvš`BDGI Zvi Aaxb` mKj BDwC cġZte` b GKxfZ I mKwj Z Kti `vbxq mi Kvi wfv³Mi w³KU tġY Ki te| BDwC w`đgi bvg, w`đgi tgvU LiP Ges ev`e I Aw³ AM³wZ, m³úvš` I qvW³gġġni b³ BZ`w` Zġ`i I ci wfvĒ Kti cġZte` b`Zwi Ki te| G mKj Zġ`i wfvĒtZ `vbxq mi Kvi wfvM c³qvRbxq Z`vi wK I gj`vqbc Ki te|

BDwqbc cwi I t`i Ĩ gwmK μq cġZte` b QK

DcġRj v.....tRj v.....

Ĩ gwmK (.....t³K.....ch³)

μqK bs	w`đgi bvg	I qvW ³ bs	ev evqtb i Ae`v				gše`
			μtqi cKvi	tgvU LiP	ev`e AM ³ wZ(%)	Aw ³ AM ³ wZ (UvKvq)	

Ĩ ġġi
BDwC tPqvi g`vb

Dc#Rj v cwi l#`i ^TgwmK mq c#Zte`b OK

Dc#Rj v.....tRj v.....
 ^TgwmK (...t_K.....chS)

mqK bs	w`dgi bvg	l qWbs	ev`evq#bi Ae`v				gše`
			mqi cKvi	tgW LiP	ev`e AMWZ(%)	Aw_R AMWZ (UvKvq)	

~i
 Dc#Rj v wbe#x Awdmvi

mq m#uKZ Z`w` Rbmg#i cKvk

mq c#mqvq `^QZv, Review`wZv wbw`ZKi#Yi j#i` Ges Dbq# KgRv#E RbMY#K
 cZ`i Ges c#i v#i f#e AskM#Yi Rb` Gj wRGm#c:2-Gi Avl Zvq M#xZ mqm#uKZ
 Z`w` RbMY#K AewZ Ki#Z n#e| G c#mqvq wbgewYZ c#WZ Abj#iY Kiv th#Z
 cv#i |

- BDwq#b cwi l` `uó AvKv#i l mnR fvlvq wbw`@ A_@Q#i mKj cK#i i we`w#i Z
 Z#`i mvimst#i c thgb, w`gmg#ni bvg D#i k` At`P cwi gvY, Kx c#WZ#Z
 mqc#mqvq m#ub#e BZ`w` Rbeuj `v#b (thgb, mi Kwi Awdm, Av`vj Z, evRvi,
 evm#vU, tij l#q w#gvi/j ANW, KugDwW tm>Uvi Ges cK#i GjvKv) c#vi
 Ki#e|
- BDwq#b cwi l` c#i#Y wej tev#W# GKB Z` cKvk Ki#Z n#e|
- wbw`@ tKv#bv w`g tKv#bv wbw`@ GjvKvq ev`ewqZ n#j tm`#j w`g ev`evq#
 KugW cK#i GjvKvq ev`ewqZe` cK#i i Kv#Ri weeiY, c#`wj Z e`q, mgw#i
 Zwi L, wKv`vi c#Z#v#bi bvg/wKv#v#mn we`w#i Z Z`w` GKW
 t#vUk#evW#wej tev#W# gva`tg cKvk Ki#e|
- GKB mv#_ w`g ev`evq# KugW i m`m`#`i bvg tev#W#ij wce# Ki#Z n#e|
- Db#` `ic# Avn#vb th# cwi Kvq cKw#Z nq tm vel#q j`i` ivL#Z n#e Ges Gi
 K#v BDwq#b cwi l#` msi #Y Ki#Z n#e|

4.4.2. μqm=úwKZ AwfthvM l wb®úwÉKiY

- Gj wRGmic:2-Gi Avl Zvq w-g ev-evqb Reven wnZv wbdZKiYi j tññ thtKvfbv e-w³ ev ms-v μqm=úwKZ th tKvfbv AwfthvM `wLj Ki tZ cvi te|
- Gj wRGmic:2-Gi Avl Zvq lqvW® Kugulji Kvhewj m=útK® w-g ZÉyeavb Kugulj/BDwbqb cwi l t i wbKU AwfthvM Kiv hvte|
- GOrvvl BDwbqb cwi l t i wei t x tKvfbv AwfthvM t_vK eivl mgšq Kugulj/Dc tRj v wbeñx Awdmv t i i wbKU `wLj Kiv hvte|
- weÁvcb-tevW®ev Rbm tYi cðekwaKvi Av tQ Ges Rbm gvMg nq Ggb Db t³ vbm gñ, RbMY Kvi K tQ AwfthvM `wLj Ki te, tm w el t q Z_ wj wce x _vK te|

4.4.3. tññvf cKvk

- BDwbqb cwi l t i vbxq bvMwi K ev th tKvfbv e-w³ tKvfbv μqcðμqv ev w-g ev-evq tbi mv t_ msuké-w el t q cñveg³ n t q wj wLZfvte Zvi AwfthvM ev msñjãZv msuké-BDwbqb cwi l ` KZ tññi wbKU `wLj Ki tZ cvi te b|
- BDwbqb cwi l ` G mKj AwfthvM weñRimwm-Gi wbKU t cðY Ki te b|

4.4.4. AwfthvM cðμqvi BDwv Ges weñRimwm-Gi `wqZj

- w-g ev-evqb Kugulji wei t x Awfthv tMi tñññ BDwbqb cwi l ` AwfthvMw BDwbqb cwi l t i w b q w Z / w e t k l m f v q w b ® ú w É K i v i e e - v M h Y K i t e |
- BDwbqb cwi l ` w b a ñ i Z Q t K l q w W ® K u g u l j i w e i t x c ð B A w f t h v M m g n m = ú t K t v K e i v l m g š q K u g u l j i w b K U g w m K c ð Z t e ` b t c ð Y K i t e |
- l q v W ® K u g u l j i / B D w b q b c w i l t i w e i t x c ð B t K v f b v A w f t h v M t _ v K e i v l m g š q K u g u l j Z v t i w b q w Z / w e t k l m f v q D c - v c b K i t e |
- w-g ZÉyeavb Kugulji/BDwbqb cwi l t i wei t x tKvfbv AwfthvM cvlqv tMtj BDwbqb cwi l ` Gi c mKj AwfthvM t_vK eivl mgšq Kugulji wbKU t cðY Ki tZ eva _vK te|

Awfthv tMi cixññv-wbixññvi ci hw` cZxqgvb nq th Awfthv tMi mvieÉv itqtQ, tmtññññ t_vK eivl mgšq Kugulj cðqvR t b l q w W ® K u g u l j i / w - g Z É y e a v b K u g u l j i / B D w b q b c w i l t i w e i t x e v t h t K v f b v m s u k é - e - w ³ i w e i t x A v b p w b K f v t e Z ` š - K i v i R b ` G K u l K u g u l j M V b K t i K v h e r g c w i P v j b v K i t e | Z t e j ñ i v L t Z n t e , h v t Z Z ` š - K v h μ g w b a v ñ i Z m g q m x g v i g t a m = ú b a K i v h v q |

t_vK eivl mgšq Kugulj tKvfbv Awfthv tMi tñññ BDwbqb cwi l ` KZ tññ m=úw Z Z` tš t h_v_Zv w b i f c t Y i D t i t k ` N U b v - D É i h v P v B m = ú v ` b K i t Z c v i t e |

Z` tš-AwfthvM cðZwóZ ntj weñRimwm cðqvRbxq e e - v M h t Y i R b ` Z ` š - c ð Z t e ` b m y c w i i k m n h _ v h _ K Z t ñ ñ i w b K U t c ð Y K i t Z c v i t e |

Awb[®]úbaAwf[®]thvMmg[®]ni t[®]ñ[®] t_vK eiv[®] mgšq Kuvu c[®]ñj Z AvB[®]bi Avl Zvq e[®]e[®]v M[®]h[®]Yi Rb[®] I B Awf[®]thvMmg[®] [®]vbxq mi Kvi wefv[®]M t[®]c[®]Y Ki[®]te|

Awf[®]thvM cix[®]ñv-wbix[®]ñv I Z[®] š-cwi Pvj bvi t[®]ñ[®]ñ[®] wev[®]R[®]mm mte[®]P mZZv, vbi[®]tc[®]ñZv I t[®]MvcbxqZv eRvq ivL[®]teb|

4.4.5. μq c[®]μqv[®] vbi[®]x[®]ñv

Gj[®]vRGm[®]c:2-Gi Avl Zvq MpxZ mKj μq I P[®]ñ[®] e[®]e[®]vcbv Kv[®]h[®]ñg [®]vbxq mi Kvi wefv[®]M KZ[®]ñ[®] v[®]bqwgZfv[®]te vbi[®]x[®]ñvZ n[®]te| [®]š[®]iY ivLv c[®]ñqvRb th, G vbi[®]x[®]ñv Kv[®]h[®]ñg vbi[®]x[®]ñvK ev [®]vbxq mi Kvi wefv[®]Mi [®]v[®]ñqZc[®]ñ[®] c[®]ñZv[®]ba KZ[®]ñ[®] vbi[®]x[®]ñv I h[®]vPvB c[®]ñ[®]te[®] t[®]bi w[®]fv[®]ñ[®]Z t[®]Kv[®]bn we[®]fc gš[®] c[®]ñZv[®]Z n[®]tj ew[®]ñ[®] t_vK eiv[®] t_tK D[®] BD[®]v[®]qb cwi[®] I[®] ew[®]ñ[®]Z n[®]te|

G[®]t[®]ñ[®]ñ[®] D[®]tj [®] Kiv t[®]t[®]Z cv[®]ñi th, [®]vbxq mi Kvi wefv[®]M Zvi c[®]ñZv[®]ba ev c[®]v[®]gk[®]ñ[®] v[®]t[®]qv[®]t[®]Mi gv[®]ñ[®]g Gj[®]vRGm[®]c-Gi Avl Zvq t_vK eiv[®] ð[®]viv BD[®]v[®]qb cwi[®] I[®] KZ[®]ñ[®] m[®]úw[®] Z mKj Kv[®]R/P[®]ñ[®]i Kg[®]c[®]t[®]ñ[®] kZKiv c[®]t[®]bi (15) f[®]vM Kv[®]R/P[®]ñ[®]i, Ges GKB m[®]t[®]½ m[®]úw[®] Z mKj Kv[®]R/P[®]ñ[®]i t[®]gvU gj[®]v[®]ñ[®]t[®]bi kZKiv ñ[®]ek (20) f[®]vM cwi[®]gvY Kv[®]t[®]Ri μ[®]t[®]qv[®]ñ[®] AwWU (ch[®]ñ[®]j vPbv) Ki[®]te| G AwW[®]t[®]U (ch[®]ñ[®]j vPbv) cwi[®]j v[®]ñ[®]Z mKj ch[®]ñ[®]ñ[®]Y ñ[®]ek[®]v[®]st[®]Ki m[®]v[®]t[®] Av[®]t[®]j w[®]PZ n[®]te Ges μ[®]q[®]c[®]μ[®]qv[®] D[®]b[®]ñ[®]t[®]bi j[®]t[®]ñ[®] c[®]ñqvRbxq e[®]e[®]v MpxZ n[®]te| G μ[®]t[®]qv[®]ñ[®] AwWU (ch[®]ñ[®]j vPbv) c[®]μ[®]qv[®] Ab[®]v[®]b[®] ñ[®]el[®]t[®]qi g[®]ñ[®] Kv[®]R/P[®]ñ[®] m[®]úv[®] t[®]bi [®]vbm[®]ñ[®] cwi[®] k[®] I Kv[®]R t_tK P[®]ñ[®]š-D[®]t[®]ñ[®] k[®] AR[®]ñ[®]bi gv[®]ñ[®] ch[®]ñ[®]ñ[®]Y BZ[®]w[®] Aš[®]f[®]ñ[®] _vK[®]te|

4.4.6. ñ[®]ek[®]v[®]st[®]K KZ[®]ñ[®] μ[®]t[®]qv[®]ñ[®] AwWU (ch[®]ñ[®]j vPbv)

c[®]ñqvR[®]t[®]b ñ[®]ek[®]v[®]st[®]K BD[®]v[®]qb cwi[®] I[®] KZ[®]ñ[®] Gj[®]vRGm[®]c:2-Gi t_vK eiv[®]t[®]i Avl Zvq m[®]úw[®] Z P[®]ñ[®] Ab[®]ñ[®]v[®]t[®]i Kg[®]c[®]t[®]ñ[®] kZKiv ñ[®]ek f[®]v[®]t[®]Mi t[®]ñ[®]ñ[®]ñ[®] ñ[®]t[®]qv[®]ñ[®] AwWU m[®]úv[®]baKi[®]te| ñ[®]ek[®]v[®]st[®]Ki G ñ[®]t[®]qv[®]ñ[®] AwWU ch[®]ñ[®]j vPbv c[®]μ[®]qv[®] Ab[®]v[®]b[®] ñ[®]el[®]t[®]qi g[®]ñ[®] Kv[®]R/P[®]ñ[®] m[®]úv[®] t[®]bi [®]vbm[®]ñ[®] cwi[®] k[®] I Kv[®]R t_tK P[®]ñ[®]š-D[®]t[®]ñ[®] k[®] AR[®]ñ[®]bi gv[®]ñ[®] ch[®]ñ[®]ñ[®]Y BZ[®]w[®] Aš[®]f[®]ñ[®] _vK[®]te|

ñ[®]ñ[®]Uc[®]Y[®]μ[®]q

Gj[®]vRGm[®]c:2-Gi ew[®]ñ[®] t_vK eiv[®]t[®]i Avl Zvq MpxZ w[®]g[®]m[®]ñ[®]ni μ[®]q[®]c[®]μ[®]qv[®] I ev[®]v[®]eqbKv[®]t[®]j Ab[®]t[®]ñ[®]w[®] Z μ[®]q c[®]μ[®]qv[®] e[®]Z[®]q cwi[®]j v[®]ñ[®]Z n[®]tj ñ[®]ek[®]v[®]st[®]Ki MvBw[®]j vBb Ab[®]ñ[®]v[®]x e[®]e[®]v t[®]bl qv n[®]te|

4.4.7. ~~μqmswké-wel t̄q~~ Ki Yxq I w̄b̄t̄l avÁv

~~μqmswké-wel f̄b̄ac̄l̄q~~Rbxq wel q Ges w̄b̄t̄l avÁv

μqgK bs	eva`Zvgj K wel qmgn	mPK	w̄b̄qgf̄%Ki Y	w̄b̄t̄l avÁv
1.	BDw̄c̄t̄Z Kḡf̄g Rbej _vKv	w̄ēw̄ēx c̄x̄w̄Z Ab̄j̄ni YcēR̄ M̄w̄VZ n̄l qv	w̄ēw̄ēx c̄x̄w̄Z Ab̄j̄m̄t̄i W̄iēD̄m̄ Ges GmGm̄m̄ M̄w̄VZ b̄v n̄l qv	t̄_vK eiv̄l̄ c̄v̄l qv h̄v̄te b̄v
2.	̄w̄bxq Revei`w̄nZv w̄b̄w̄ōZKi t̄Yi Rb` c̄l̄q̄Rbxq Z_`mieiv̄t̄ni b̄w̄Z w̄e`ḡyb _vKv	w̄m̄w̄e w̄b̄i x̄f̄l̄v m̄s̄μ̄v̄S-Z_` R̄b̄m̄ḡt̄f̄l̄ c̄k̄v̄t̄ki b̄w̄Z Ab̄j̄ni Y	K̄v̄t̄Ri m̄f̄h̄w̄M K̄v̄h̄f̄`k c̄l̄vb Ges t̄h̄s̄w̄KZv m̄s̄μ̄v̄S-Z_`mieiv̄n b̄v Kiv	Z̄v̄r̄f̄l̄w̄K̄f̄v̄te μq m̄s̄μ̄v̄S-K̄v̄h̄f̄ēj̄ Ges t̄_vK eiv̄l̄ _w̄M̄Z Kiv
3.	BDw̄c̄ ch̄f̄q μq̄c̄l̄μq̄ ev̄`er̄q̄t̄bi t̄f̄l̄t̄ b̄w̄ZM̄Z eva`evaKZv t̄ḡt̄b Pj v	w̄m̄w̄e w̄b̄i x̄f̄l̄v m̄s̄μ̄v̄S-c̄l̄Z̄te`b	μq̄ c̄l̄μq̄q̄ μq̄ c̄x̄w̄Z, `i`v̄Z̄t̄`i ḡj`v̄q̄b Ges K̄v̄h̄f̄`k c̄l̄vb m̄s̄μ̄v̄S- b̄w̄Zḡv̄j v j`Nb	Z̄v̄r̄f̄l̄w̄K̄f̄v̄te μq m̄s̄μ̄v̄S-K̄v̄h̄f̄ēj̄ Ges t̄_vK eiv̄l̄ _w̄M̄Z Kiv

Gj w̄RGm̄w̄c̄:2-Gi Avl Zvq BDw̄c̄i Rb` eva`Zvgj K mḡq̄m̄P

μq	wel q	w̄b̄āf̄i Z t̄ḡv̄U K̄v̄h̄f̄ em
1	BDw̄c̄ KZ̄R̄ w̄`ḡm̄ḡt̄ni Ab̄f̄ḡv`b	35
2	`ic̄l̄ Av̄n̄v̄t̄bi ci`ic̄l̄ R̄ḡv`vb	
	(K) Av̄i Ḡd̄w̄KD t̄f̄l̄t̄	1-2 m̄B̄v̄n
	(L) D̄b̄f̄p̄ `ic̄l̄t̄i t̄f̄l̄t̄	14 K̄v̄h̄f̄ em
3	c̄l̄b̄ t̄K̄v̄t̄Uk̄b/`ic̄l̄ ḡj`v̄q̄b	
	(K)Av̄i Ḡd̄w̄KD-Gi t̄f̄l̄t̄	h_v̄m̄=̄e k̄x̄N̄0
	(L) D̄b̄f̄p̄ `ic̄l̄t̄i t̄f̄l̄t̄	15 K̄v̄h̄f̄ em
4	K̄v̄h̄f̄`k/m̄ieiv̄n Av̄t`k c̄l̄vb Kiv Av̄i Ḡd̄w̄KD Ges D̄b̄f̄p̄ A_̄f̄ D̄f̄q`ic̄l̄t̄i t̄f̄l̄t̄	Ab̄f̄ḡv` b̄m̄v̄t̄c̄l̄t̄ 3 K̄v̄h̄f̄ ēt̄m̄i ḡt̄a`

Gj w̄RGm̄w̄c̄i Avl Zvq μq m̄s̄μ̄v̄S-wel t̄q w̄`d̄gi A_`c̄w̄i t̄k̄v̄t̄ai w̄ec̄i x̄t̄Z Av̄qKi I f̄v̄U KZ̄B̄ w̄ēei Yx

BDw̄b̄q̄b c̄w̄i l̄t̄i μ̄t̄qi t̄f̄l̄t̄ f̄v̄U I Ab̄`w̄ea K̄t̄i i wel t̄q m̄s̄k̄é-w̄e`ḡyb Av̄B̄b c̄l̄h̄v̄R` n̄te Ges BDw̄b̄q̄b ch̄f̄q μq̄m̄ḡv̄i ḡt̄a` eZ̄ḡv̄b c̄l̄h̄v̄R` Av̄qKi I f̄v̄U m̄s̄μ̄v̄S-KZ̄f̄bi n̄vi m̄ieiv̄nK̄v̄i/ w̄K̄v̄`v̄i t̄K A_`c̄w̄i t̄k̄v̄aK̄v̄t̄j w̄b̄w̄ōZ Ki t̄Z n̄te|

w̄K̄v̄`v̄i x A_ev ḡj v̄ḡv̄j m̄ieiv̄t̄ni t̄f̄l̄t̄ Dr̄t̄m Ki KZ̄B̄ Av̄qKi Aa`v̄t`k 1984-Gi av̄iv 52 Ges Av̄qKi w̄ēw̄aḡj v 1984-Gi w̄ēw̄a-16 t̄Z ēw̄ȲZ w̄ēav̄b Ab̄h̄v̄q̄x w̄K̄v̄`v̄i x K̄v̄h̄f̄`k m̄x̄úv`b A_ev ḡj v̄ḡv̄j m̄ieiv̄t̄ni Rb` t̄K̄v̄t̄b̄v e`w̄³ ev m̄s`v̄t̄K c̄w̄i t̄k̄v̄aK̄v̄t̄j

msmké-nej i tgvU A¼ nþZ cwi þkvaKvj xb mgþqi Rb" wbaW Z nvti AvqKi KZB Ki þZ nte|

GKB A_éQþi nej cwi þkvtai `wqþZ; wbtqwmRZ e"³ Drþm Ki KZþbi `wqZ; cvj b Ki þeb| AvsmkK cwi þkva ev AwMþj cwi þkvtai `wqþZ; wbtqwmRZ e"³þK Drþm Ki KZB Ki þZ nte| GKwU A_éQþi cwi þkvaZe" tgvU Aþ¼i wfvÉþZ Ki I f"vU KZþbi nvi wbaW Z nte| wbtþP wclqW Zwj Kv AvKvti þ`Lvþv nþj v (Zþe RvZxq i vR" ^teW® KZR Rwi KZ eQi wfvÉK AvqKi I f"vUi nvi cþhvR" nte):

AvqKi KZþbi Zwj Kv

cwi þkvtai cwi gvY	KZþbi nvi
2 j ¶ UvKv chS nej ev cvl bv cwi þkvtai Rb"	0
2 j ¶ 1 UvKv nþZ 5 j ¶ UvKv chS-nej ev cvl bv cwi þkvtai Rb"	1%
5 j ¶ 1 UvKv nþZ 15 j ¶ UvKv chS-nej ev cvl bv cwi þkvtai Rb"	2.5%

f"vU KZþbi Zwj Kv

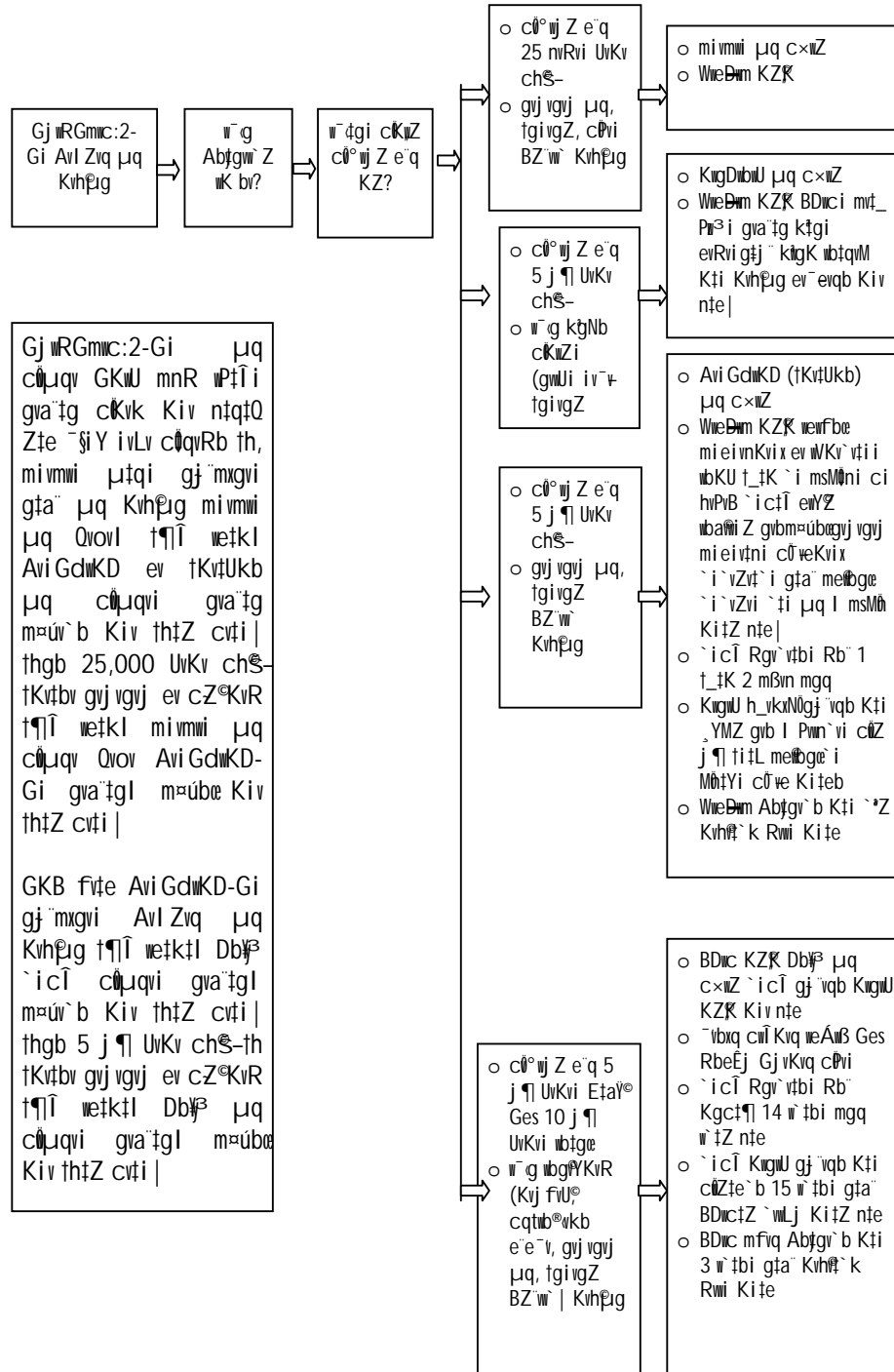
cwi þkvtai cwi gvY	KZþbi nvi
th þKvþbv wbgþY KvþRi Rb" `i cþÁ Dþj w-Z gþj"i	5.5%
gvj vgvj mi eivþni Rb" `i cþÁ Dþj w-Z gþj"i	4.00%

eZgvtb Kþi i Avl Zvgþ³ µqmgþ:

- mi vmi µq 25,000 UvKv chS,
- KvgDwbW µq 5,00,000 UvKv chS,
- Ab"vb" þ¶þÁ 2,00,000 UvKv chS-th þKvþbv µq,

Zþe kZ"vþK th, KvgDwbW µq (w"wbK wfvÉþZ mi vmi klgK cvl bv cwi þkva weavq) e"ZxZ mKj A_é cwi þkvtai þ¶þÁ Zwj Kv Abjvþti f"vU KZB Ki þZ nte|

Gj mRGmic-2- Gi Avl Zivq m'g ev' evqtb GKbRti mq c'p'v



5. Z_ cKvk

5.1 wmwUtrB PvUfi cKvk

vbxq miKvi (BDwbqbw cwil) AvBb 2009-Gi PZi R Aavtq Z_cwBi Avakvi mruKqweavb t`l qv AvtQ| BDwbqbw cwil`tK Zv h_vh_fvte cvj b l Abymiy KitZ nte| D³ AvBb Abymviti, RbMYtK BDwbqbw cwil` thmKj tmev c0vb Ki te Zvi we`wii Z weeiY, we`gvb ev c0vbthvM` tmevmg#ni kZ^oGes Gme tmev jvtfi Rb` wK cwigvY mgq`iKvi, Zv BDwbqbw cwil` RbmvariYi AvZvt_cKvk Ki te| Gaitbi cKvKZ weeiYtK ej v nq wmwUtrB PvUfi |

BDwbqbw cwil t`i wmwUtrB PvUfi cKvk mruKqmi Kvi GKwU wbt` wKv l weva cYqtbi cwí Kí bv KitQb| hvi gta`_vKte:

1. mKj tmevi we`wii Z weeiY
2. tmevmg#ni Rb` c0`q A_^o
3. tmev cvl qvi kZ^oGes cZ`wkZ tmev t`tK c0B myeaw`
4. tmev c0vtfi Rb` wba#i Z mgqmxgv
5. tmevmg# mruKqbwMwi Kt`i` wqZj
6. tmev c0vtfi wbdqZv
7. tmev c0vb mruKq`vtqi KZ AwfthvM w^ouE
8. wmwUtrB PvUfi ewYZ c0Zk0Z f1/2 Kivi cwí YwZ BZ`w` |

BDwbqbw cwil` vbxq Pwv`v Ges ev`eZvi wbi tL Zvt`i wmwUtrB PvUfi nvj bvMv` KitZ cvi te, cwí eZB l mrc0viY KitZ cvi te| BDwbqbw cwil t`i wmwUtrB PvUfi cwí eZB Kti Zv ev`evqtfi cte`mi Kvti i m1/2 Avtj vPbv KitZ nte|

5.2. mKvmtbi Rb` AvaybK c0y³ i e`envi

c0Z`K BDwbqbw cwil` mKvmb c0Z0v l Dbqtfi jt`l` BDwbqbw cwil t` AvaybK c0y³ i e`envi Ki te etj cZ`vkv Kiv nq| miKvi Gt`l`t` Awv`R, Kwí Mwi l Ab`vb` Avbj w1/2K mnvqZv c0vb KitZ cvi | Dbz Z_` c0y³ e`envi Kti BDwbqbw cwil` Zvt`i tmev c0vb mruKq`RbMYtK AewnZ KitZ cvi Ges wmwUtrB PvUfi thmKj tmevi K_v ejv ntqtQ tm`_tjvnm miKvi RbMYtK th tmev c0vb KitQb Zv RbMYtK AewnZ KitZ cvi | mehvaviYi Rb` Z_` Dbj³ Kiv Ges Zt`_i c0vn Dbz l MwZkj Kivi Awfbec_`Zwi i jt`l` mKj BDwbqtb BDwbqbw Z_` l tmev tK`^a BDAvBGmw c0Z0v Kiv nq| eZgvtb BDAvBGmw tZ 29 aitbi miKwi Ges 29 aitbi temi Kwí tmev jvtfi mthvM itqtQ| tmev`_tjv nt`Q:

miKwi : bMwi K mb`, Rb` wbeÜb, gZi wbeÜb, miKwi dig WDbtj wW, Rvgi cPfi Avte`b, mKj cKvi bMwi K Avte`b, Rxeb exgv, tUwj tgvMwmb, we`jr wej cwí tKv, cvej K wekte`vj tq fivZ^o Abj vBtb wekte`vj tq fivZ^o Abj vBtb cvmtcvfU^o Avte`b,

wfmv t fwi wcltKkb I U^wvkS, Abj vBtb WwBwfs j vBtmYi Avte`b I bevqb, Abj vBtb miKwi eE μtqi Avte`b c0mm, Abj vBb miKwi tU0vtii Avte`b, wkTJK-KgPvixi Abj vBb Aemi fvZvi Avte`b, tgevBtj DctRjv ^v^ Kgtct-i ^v^ civgk, tgevBtj Kwl civgk, AvBwb mnvqZv, Z_`tmev-AvBb, Kwl BZ`w, B-cpR, ÷`v^u wewμ (wWm Awcltmi t fEvi j vBtmY), miKwi cAvcb I weAwB WwDbtj wW, cwb cixTlv, gwU cixTlv (GmAvi wWAvB), BDwc tPqvi g`vbt`i Pwin`v Abjvqx wevfbæmi Kwi WKtgu cYqb, miKwi wevfbæcPvi Yv Kvtr j wRw÷ K mvtcvU^q

temiKwi tmev : K^wúDUvi c0kTjY, One tZjv, B-tgBj, BvUvi tBU etDwRs, Pvkwi weAwB t`Lv I Abj vBtb Avte`b, wflAvBwci gva`tg wef`tk tUwj tcvb, ^vBwci gva`tg wfwl Kbdvti wYs, mvgwRK Abjvbtbi wfwl ti K^wWw/GwWwUs, Kt^uvR/wc0U -`wj tj Lv, tgevBj e`vswKs, weUk KvDwYtj i Bsti wR wkTlv, mwwfmi K`vt^ui gva`tg Kwl civgk, mwwfmi K`vt^ui gva`tg ^v^ civgk, mwwfmi K`vt^ui gva`tg AvBwb civgk, IRb I D`PZv cwigvc, Avb tmev (Kwl-c0KwJK`vj G`vKkb), Avb tmev (grm-c0KwJK`vj G`vKkb), Avb tmev (tcjw^a c0KwJK`vj G`vKkb), tmjvi wmt÷g g`vbtRtgu (BWKj), ^vcb, dtUvKwc, tjwgtbkb, tgevBj tcvb Kj, tgevBtj UvKv tj wW, tgevBj tgivgZ, tgevBtj i wmg wewμ, gw^wvgwWqv c0R±i tLjv I gwrf c0k0, tbej vBRvi fvov| BDAvBGmimi ^wqZj wbowZ Kivi Rb` Zv miKwi I e`w³ Df`vtMi mgstq cwi Pwj Z Kivi mpcwi k Kiv nq| BDwbqb cwi l`i DwPZ nte Gi Kgtct- BDAvBGmimi Rb` c0qvRbxq RvqMv eivl ivLv| BDAvBGmimi cwi Pj bvi Rb` c0qvRbxq e`q wbeftni Rb` temiKwi Df`v³vt`i GwMtq Avmv DwPZ| ^vbxq Rbmvari tYi webvgtj` A_ev ^fgtj` BDAvBGmim t`tK tmev cvl qvi Awakvi _vKv c0qvRb| hZTjY tKvbtv temiKwi Df`v³v cvl qv bv hvq ZZTjY BDwbqb cwi l` Zvi evtRU Ges BDAvBGmimi Avq t`tK GKRB bviX I GKRB cj`I AcvtiUi wbtqwrZ ivLvi welqul wbowZ Ki te| G t`tK c0B ivR`^BDAvBGmimi i TjYvteTjY I Dbqatbi Rb` e`eüZ nte| BDwbqb cwi l` m^uútk^hZ Z_`w` AvtQ mewKQz BDAvBGmimtZ K^wúDUvti Avctj wW Kiv c0qvRb nte|

5.3. Dbqab KvhPig m^uúwKZ Z_`w`

BDwbqb cwi l` MpxZ mKj Dbqab KvhPig m^uútk^hvbxq Rbmvari YtK AvewZ Ki te| BDwbqb cwi l`i Dbqab KvhPigti welq tbnwK tevW^o, wej tevW^o, Z_`tevW^o, BZ`w` i gva`tg Rbmvari tYi Rb` Z_` c0KvK Ki tZ cwti | w`dgi tbnwK tevW^o w`g Gj vKvi wej tevW^o I Z_`tevW^o I qvtW^oA_ev BDwbqatbi gta` th ^vbt e`vcK tj vK mgvMg nq tmLvbt ^vcb Kiv thtZ cwti | Gme tevW^oersj vq Ges cwbttZ gtfQ hvte bv Ggb Kwij tZ `wM0n` AvKvti tj Lv ntZ nte|

tbwUk teftW[®] bgjv vbtP t` I qv ntj v

..... cR±
w`g Z` teW [®]
w`tgi bvg:
Ae`vb:
bgjv (`N [®] , cR', D"PZv, gwUj KvtRi cwi gvY BZ`w`)
e`q:
w`g/cR± ev`evqb KwguUj m`m` A_ev wKv`vfi i bvg
1
2
3
w`g ZEpavb KwguUj m`m` A_ev wKv`vfi i bvg
1
2
3
..... BDvbqb cwi I` I qvW [®]

6. RbI gZi vbeÜb Ges Ab`vb` tmev

BDvbqb cwi I t` i `wqZjnt`Q `vbxq chftq wKQztmev vbtR cÜvb Kiv Ges wKQztmev cÜvbKiv x KZEt`i KvtRi mgšq mvab Kiv| BDvbqb cwi I` vbqvgZfvte thmKj tmev cÜvb Kti `vK tm`tj v ntj v:

1. RbI Ges gZi vbeÜb;
2. wePwi K Kvhg;
3. mvgwRK Ges cwi tek Dbqb I msi Y;

6.1.1. RbI gZi vbeÜb cÜvq

RbI gZi vbeÜb AvBb 2004 Abjvfi RvZ, ag[®], eY[®]Mvöx, wj ½ vbeftI vbeÜK mKj e`w³i RbI gZi vbeÜb eBtq vbeÜb Kiteb| GLvfb vbeÜK ej tZ BDvbqb cwi I t` i t`ft` BDvbqb cwi I t` i tPqv g`vb ev mi Kvi KZR` YgZvcÜB tKvfv KgRZ[®] ev m`m`|

vbeÜtKi `wqZjnt`Q :

- K. mKj e`w³i RbI gZi vbeÜb vbwÖZ Kiv|
- L. vbeÜtbi Rb` cÜqvRbxq Z` msMh, Ges dig,tiwR`ti I mb` Qvcvfv ev msMh Kiv|
- M. vbeÜb msvš-bw_cT ev vbeÜK ein msi Y Kiv|
- N. RbI gZi mb` mieivn Kiv|
- O. weva Öviv vba`i Z Ab` tKvfv `wqZjcvj b|

†Kv†bv eʷ³i wbeÜb Kivi Rb` cÖB Z†_i mZ`Zv hvPvB†qi cÖqvRb ntj wZwb w†R
 A_ev Ab` Kv†iv Øviv Z`š-Ki†Z cvi†eb| wbw`Ø mgtqi g†a` Kvi I Rb† I gZi
 wbeÜb Kiv bv ntj H eʷ³i wZv gvZv ev c† ev AwffveK†K H eʷ³i Rb† ev gZi
 m=ú†K©Z_ cÖv†bi Rb` tbwUK w†Z cvi†eb| wki i wZv gvZv ev AwffveK wki i
 R†b†i 45 w†bi g†a` Rb† m=ú†K©Z_ wbeÜ†Ki woku cÖvb Ki†Z eva` | †Zgwb
 †Kv†bv eʷ³i gZi 30 w†bi g†a` H eʷ³i c†, Kb` ev AwffveK†K H eʷ³i gZi
 m=ú†K©Z_ wbeÜ†Ki woku cÖvb Kiv eva` Zvgj K| Rb† wbeÜ†bi c†e`wki i bvg
 wba††Y Ki†Z n†e| Z†e G mgtqi g†a` bvg wba††Y Kiv bv tM†j cieZ† 45 w†bi
 g†a` wbeÜ†Ki woku bvg mi eivn Ki†Z n†e|

6.1.2. Rb† I gZi wbeÜ†bi „i“Zi
 wbgew†Z Kvi†Y Rb† wbeÜb mb` LpB „i“Zc†Y©

1. RvZxqZv Ges bvMwi K mb` wbuÖZ Kiv|
2. eqm cÖv†Yi Ab†K†j mv††|
3. wki weevn ti va Kiv|
4. wki k†g eÜ Kiv|
5. wki wK†kvi†` i cÖZ mjePvi wbuÖZ Kiv|
6. h_vh_ `^` tmev wbuÖZ Kiv|
7. c†KZ RbmsL`v wba††Y|
8. eq†mi wg_`v †Nvi Yv eÜ Kiv|
9. wki i Db††b RvZxq cwi Kí bv wbuÖZ Kiv|
10. wki i AwaKvi wbuÖZ Kiv|
11. RvZxq Db††b cwi Kí bv cÖ†Z mrvqZv Kiv|

†Kv†bv eʷ³i Rb† I gZi e†vš-m=ú†K©Z †Kv†bv mgm`v †`Lv w†j Rb† I gZi mb`
 mv†† w†m†e e`eüZ n†e|

wbgew†Z K†qKw† †††† Rb† mb` e`envi Ki†Z n†e:

- K. cvm†cvU†Bmj;
- L. weevn wbeÜb;
- M. wK††v cÖZö††b f†Z©
- N. mi Kw†i , temi Kw†i ev `†q†Kw†mZ cÖZö††b w††qvM`vb;
- O. W†Bw†fs j vB†m†Y Bmj;
- P. †fvUvi Zw†j Kv c††qb;
- Q. R†vg ti wR††÷†b|

wbgew†Z Kvi†Y gZi wbeÜb AZ`š- „i“Zc†Y©

1. D†i waKvi xi g†a` R†gi gw†j Kv†vi w†fvRb;
2. RbmsL`v w†l qK cwi msL`vb nvj bvMv` Kiv;
3. D†i waKvi xi AwaKvi cÖv†Y Kiv|

6.1.3. RbɣI gZi mɔ́wKZ Z_ c0 vtɔbi Rb` wqZkxj e`w3eM©

- 1) wɔæwYZ e`w3MY tKvɔbv e`w3i Rbɣ ev gZi wbeUɔbi Rb` wbeUɔKi woku Z_ tc0Y Kwi tZ cwi tɛb, h_v:
- K. BDwɔqb cwi l` i m`m`, Ges mɔPe;
- L. M0g cyj k;
- M. mwU Ktc0i kb ev tcSi mfvi Kugkbvi ;
- N. BDwɔqb cwi l`, tcSi mfvi, mwU Ktc0i kb A_ev K`vUbtgU Gj vKvq wbtqwiRZ t`K`K`I cwi evi Kj`vYKg0,
- O. t`K` I cwi evi Kj`vY tK` wbtqwiRZ temi Kwii c0Z0vtɔbi (GbwRI) gvWKg0,
- P. tKvɔbv mi Kwii ev temi Kwii nvmcvZvj ev wKwbK ev gvZm`b ev Ab` tKvɔbv c0Z0vtɔb Rb`M0Y I gZieitYi t0t0 Gi` wqZc0B tgmWK`vj Awdmvi A_ev Wv3vi ev 0gZvc0B tKvɔbv KgRZ0,
- Q. tKvɔbv tMvi`wb ev kkvb NvtUi ZE`eavqK;
- R. wbeUK KZR wbtqwiRZ Ab` tKvɔbv KgRZ0ev KgPvi x;
- S. tRj Lvbvq RbɣI gZi t0t0 tRj mcvvi ev tRjvi ev ZrKZR 0gZvc0B e`w3;
- T. cwi Z`3 wki` ev maviY`vtɔb (Public Place) c0 vKv cwi Pqnxb gZ e`w3i t0t0 msk0_vbvi fvi c0B KgRZ0, Ges
- U. wba0i Z Ab` tKvɔbv e`w3 ev c0Z0vtɔb|

2) tKvɔbv e`w3i Rbɣ I gZi mspvS-Z_ Dcti Dij wZ e`w3i woku mieivn Kitj wZwb wbtR Zv wbeUɔbi c0qvRbxq e`v M0Y Ki tɛb A_ev Z_ c0vbKvix e`w3tK wbeUɔbi civgk0n c0qvRbxq mrvqZv c0vb Ki tɛb|

6.1.4. ti wRt÷kb c0µqv Ges mb` c0vb

RbɣGes gZi wbeUɔbi t0t0 c0Z`K e`w3i Rb` Avj v`v dig e`envi Kiv nq| G dig AZ`S-mZKZvi mvt_ Ges mWKfvte ciY KitZ nte| ti wRt÷kb ditg c0E Z_ Abjviti ti wR÷vi wj wce× Kiv nte| Z_ c0vbKvix tK ditg`v0i c0vb KitZ nte| tKvɔbv t0t0 tKvɔbv mɔ`n t`Lv w`tj wbeUK c0B Zt_`i mZ`Zv hvPvB Kti tɛtɛb| eZ0vtɔb Ab j vBtɔb RbɣwbeUɔb Kiv0rgl Pvj yntqt0|

RbɣGes gZi mb` h_vh`fvte c0Z I`v0i Kti Zv mieivn KitZ nte| BDwɔqb cwi l` mb`c1 weZiY mɔ́wKZ ti wR÷vi Ges mb`c1i Abjv w msi 0Y KitZ nte|

6.1.5. RvZxqZv Ges Pwi w1 K mb` c1

t`tk ev wɛt`tk PvKwii c0_0, cvmtcivU0msM0 Ges e`vsK t`tK FYM0tYi Rb` RvZxqZv mb`c1 I Pwi w1 K mb`c1i c0qvRb nq| BDwɔqb cwi l` i Ab`Zg`_i`ZcY`KvR nt`Q G aitɔbi mb`c1 c0vb Kiv| Guv AZ`S-mZKZvi mvt_ mɔ́v`b Kiv DvPZ, hv tZ Kti G mb`c1 Ace`envi bv nq Ges Rvj mwU0t0KU Bmj bv nq| G mKj mwU0t0KU c0vtɔbi mgq`vBwii K wɔqg Abj miY Kiv Avek`K|

côZwU mWU@ct#KU BDwbqb cwil` Awdm t_tK c0vb Ki#Z nte| hv#K mWU@ct#KU t`lqv nte Zvi bvg, w#Kvbn Ges mWU@ct#KU M0#Yi KviY I ZwiL D#j #K#i GKwU tiwR÷#i msi #Y Ki#Z nte, c0ZwU mWU@ct#K#Ui Abvj wc mv#j` wmwte msi #Y Ki#Z nte|

BDwbqb cwil` KZR c0E mb`cI gvb m#ubent#Z nte Ges Gi Rb` b#bZg wd M0Y Kiv th#Z crt#| BDwbqb cwil#i Db# ev#RU mfvq welqW Av#j vPbv K#i w#xvS-M0Y Kiv th#Z crt#| BDwbqb cwil#i ev#R#U GZ`ms#vS-Avtqi c0Zdj b_vK#Z nte|

6.2. AvBb I wePwi K #mev

BDwbqb cwil#i Ab`Zg ,i“ZcY` wqZi n#”0 M0g Av`vj Z Kv#Ki fvte cwipvj bv Kiv| M0g Av`vj Z AvBb 2006 Abym#i, c0ZwU BDwbqtb M0g Av`vj Z cwipwj Z nte| M0g Av`vj Z cwipvj bv m#ut#K#msv#B vb#` #Kv wbtgat`lqv nt#jv|

6.2.1. M0g Av`vj #Zi D#i k`

1. Kg mgtq, A# Li#P `vbxqfvte t0vU t0vU wetiva `*Z w0#u#E Kiv;
2. `wi`#; AbM0ni, bviX, m#eavw#Z I Sp#KcY`Rb#Mv0xi Rb` mvgw#RK wbi v#Ev I wePvi c0#Bi m#hvM w0w0Z Kiv;
3. we`gvb c#jmg#ni cvi`uwi K mgtSvZvi gra`tg wetiva w0#u#E Kiv;
4. wetiva w0#u#Ei ci wetivaxq c#jmg#ni g#a` tms#v` cY#mve`vb m#0;
5. `vqxfvte wetiva wbi mb;
6. D#P Av`vj #Z gvgj vi Pvc Kgv#bv I
7. mvgw#RK b`v#`Zv I m#kvb m#0|

M0g Av`vj Z KZR wePvi #hvM` gvgj v

- (1) tdSR`wii Kv#e#wa Ges t`lqwb Kv#e#wa#Z hv w#QOB _vKK bv tKb M0g Av`vj Z AvB#bi Zdw#t#j i c0g A#¼ ew#Z welqwevj m#u#K#Z tdSR`wii gvgj v Ges w0Zxq A#¼ ew#Z welqwevj m#u#K#Z t`lqwb gvgj v, w#f#e#i Kg weavb bv _vK#j, M0g Av`vj Z KZR wePvi #hvM` nte Ges tKv#bv tdSR`wii ev t`lqwb Av`vj #Zi Abj#c tKv#bv gvgj v ev tgvKv#i gvi weP#i i GLwZqvi _vK#e bv|
 - (2) M0g Av`vj Z KZR Zdw#t#j i c0g A#¼ ew#Z tKv#bv Aciv#tai mv#_ tKv#bv gvgj v wePv#n#e bv hv` D# gvgj vq Avgj #hvM` tKv#bv Aciv#tai `vtq tKv#bv e`w# t`vix mve`-ntq B#Zvc#e#M0g Av`vj Z KZR `E c0B ntq _vtKb, hv` -
- K) D# gvgj vq tKv#bv bvej #Ki `#`Rw0Z _vtK;
- L) weev#` i c#jM#Yi g#a` m#u#w` Z tKv#bv Pw##Z m#wj #ki ev wetiva w0#u#Ei weavb _vtK;
- M) mi Kvi ev `vbxq KZ#` ev KZ#` cvj bi Z tKv#bv mi Kwi KgPvix D# weev#` i tKv#bv c#j nq|

(3) th `vei m`u`Ei `Lj AcP`Yi Rb` M`g Av`vj Z KZ`R Av`k c`0 vb Kiv ntqt`0, H
`vei m`u`Ei Z `Z; c`0Z`ovi Rb` ev Gi `Lj cpi "x`vti i Rb` tKv`bv tgvKv`I gv ev
Kvh`avi t`q`I (1)-Gi weavbewj c`0h`vR` nte bv|

6.2.2. M`g Av`vj Z MV`bi Av`e`b

(1) th t`q`I G AvB`bi Aaxb tKv`bv gvgj v M`g Av`vj Z KZ`R wePvi thvM` nq tm`q`I
we`ivtai th tKv`bv c`q` D³ gvgj v weP`ti i w`bgE M`g Av`vj Z MV`bi Rb` w`x`vS`-
M`h`Yi j`t`q` BDw`qb cwi l` i tPqvi g`v`bi w`bKU w`ba`i Z c`x`wZ`Z Av`e`b Ki`Z
cvi`eb Ges BDw`qb cwi l` tPqvi g`v`b wj wLZ Kvi Y `w`k`q D³ Av`e`b wU bvKP bv
Ki`j w`ba`i Z c`x`wZ`Z M`g Av`vj Z MV`bi D`v`M M`h`Y Ki`eb|

(2) D³ AvB`bi Aaxb Av`e`b bvg`A`ji Av`k `0v`v ms`q`j` e`w`³ Av`tki wei`tx`
w`ba`i Z c`x`wZ`Z l` w`ba`i Z mg`qi g`ta` GLwZqvi m`u`b`em`nKvix RR Av`vj Z
wi w`f`kb Ki`Z cvi`eb|

6.2.3. Av`e`bi w`dm

Zdwm`j i c`0g fiv`Mi mv`_ m`u`w`K`Z ntj `B UvKv Ges w`0Z`xq fiv`Mi mv`_ m`u`w`K`Z
ntj Av`e`bc`I i mv`_ Pvi UvKv w`dm Rgv w`t`Z nte|

6.2.4. bvKP Av`e`b bv-g`A`ji Av`k mn Av`e`bKvix`K tdi Z c`0 vb

BDw`qb cwi l` i tPqvi g`v`b KZ`R th`q`I Av`e`b bvKP nq tm`q`I Zv D³ bv-
g`A`ji Av`k mtgZ Av`e`bKvixi w`bKU tdi Z w`t`Z nte|

6.2.5. Av`e`b bv-g`A`ji Av`tki wei`tx` w`f`kb/Aw`cj

Av`e`b bv-g`A`j n`l`qvi Zwi L n`Z 30 w`t`bi g`ta` c`p`weP`ti i Rb` Zv h`_vh`
GLwZqvi m`u`b`em`nKvix R`i`Ri w`bKU `wLj Ki`Z nte|

6.2.6. Av`e`b Kx Kx Z`_`_vK`Z nte?

Av`e`b w`bg`ij wLZ Z`_`_ I weeiY `vK`Z nte:

1. th BDw`qb cwi l` Av`e`b Kiv ntqt`0 Zvi bvg l` w`Kv`bv;
2. Av`e`bKvixi bvg, w`Kv`bv l` cwi Pq;
3. c`0Zev`xi bvg, w`Kv`bv l` cwi Pq;
4. th BDw`qb Aciva ms`NwJZ ntqt`0 A`_ev gvgj vi Kvi Y m`0 ntqt`0 Zvi bvg;
5. NUbv m`0i Kvi Y, NUbvi `vb, BDw`qb`bi bvg, NUbvi Zwi L l` mgq;
6. Awf`thvM ev `wei ms`q`j`B weeiY, c`KwZ l` q`wZi cwi gvY;
7. c`0`Z c`0ZKvi |

6.2.7. Av`e`bc`I cvevi ci tPqvi g`v`b Kx Ki`eb?

Av`e`bc`I wU cvevi ci BDw`c tPqvi g`v`b Zv cix`q`v K`ti M`h`Y Ki`eb| Av`e`bc`I M`h`Y
Kiv ntj BDw`qb cwi l` i tPqvi g`v`b w`b`0 Zwi tL c`0Zev`x`K nwi`Ri n`Z mgb t`eb
Ges ev`x`K nwi`Ri n`Z w`b`R t`eb| gvgj vi cieZ`P`Kv`h`g Pw`ij t`q` hv`eb|

Av`e`b wU Am`u`Y`ntj A`_w` c`0qvR`b`q Z`_`_ bv `vK`j A`_ev GLwZqvi ew`f`Z ntj
wZw`b Zv bvKP Ki`Z cvi`eb| Zte Kx Kvi`Y Av`e`b wU bvKP Kiv ntj v Zv Aek`B
Av`e`bc`I i Dci wj l`t`Z nte|

6.2.8. cōZev`x`we ev weev` ʔKvi Ki t j Mōg Av` v j Z MVb Kiv nte bv mgb Abhvqx A_ev cKvi v š t i cōZev`x nvi Ri n t j Ges`we ev weev` ʔKvi Ki t j Ges BDvbqb cwi l t i t Pqvi g v t bi Dcw`wZ t Z D³`we c i Y Ki t j Mōg-Av` v j Z MVb Kiv nte bv |

6.2.9. Kx Kx Kvi t j Y Avte` b bv KP Kiv hvte?

1. Avte` t bi wdm Rgv bv w` t j ;
2. GLwZqvi ewnfZ n t j ;
3. AcKwZ`e`w³ i wei` t x Avte` b n t j ;
4. Avte` b Am³úY n t j A_ʔ Avte` b Kvi x, cōZev`x, mv ʔ xi bvg, wKvbv l cwi Pq bv _vK t j ;
5. NUbv, NUbv m w i Kvi Y, NUbvi `vb-mgq-Zwi L, ʔwZi cwi gvY, cōw`Z cōZKvi, BZ`w` D t j E-bv _vK t j ;
6. e`w³ Av` v j Z Mōn` Kvi t j Y c t e ʔ` v l x mve`-n t j ;
7. bvev t Ki ` t t_ʔ cwi cwi S` n t j ;
8. we t i vawU w b t q m w j w ki Pw³ n t j ;
9. mi Kvi ev `vbvq KZ ʔ ʔ ev KZ ʔ` cvj bi Z t Kvtbv mi Kwvi KgPvix hw` t` l qwb gvgj vi t Kvtbv c ʔ n q |

6.2.10. Mōg Av` v j t j Z i GLwZqvi, BZ`w`

1. th BDvbq t b Aciva msMwZ nte ev gvgj vi Kvi Y D`m e nte, weev` i c ʔ MY mvavi YZ t m B BDvbq t b i ewm` v n t j, t m BDvbq t b Mōg Av` v j Z MwZ nte Ges Abjfc gvgj vi wePv t i i GLwZqvi Mōg Av` v j t j Z i _vK t e |
2. th BDvbq t b Aciva msNwZ nte ev gvgj vi Kvi Y D`m e nte, weev` i GK c ʔ t m B BDvbq t b i ewm` v n t j Ges Ac i c ʔ w f b e BDvbq t b i ewm` v n t j, t h BDvbq t b i g t a` Aciva msNwZ nte ev gvgj vi Kvi Y D`m e nte, t m B BDvbq t b Mōg Av` v j Z MwZ nte; Z t e c ʔ MY B`Qv Ki t j w b R BDvbqb n t Z cōZw b a g t b v b x Z Ki t Z cvi t e |

6.2.11. Mōg Av` v j t j Z i ʔ l g Z v

G AvB t b w f b e f c t Kvtbv weavb bv _vK t j, Mōg Av` v j Z AvBb 2006-Gi Z d w t j i cōg Astk ewYZ t d S R` w i Acivamg t ni t ʔ t t t Kvtbv e`w³ t K t Kej gv t AbwaK c w Pk n v Rvi UvKv ʔ w Z c i Y cō v t bi Av t` k cō v b Ki t Z cvi t e | Z d w t j i w Z x q Astk ewYZ t` l qwb w e l q w e j i m v t` m³ ú w K Z t Kvtbv gvgj v q Abjfc w e l t q Z d w t j D t j w Z cwi gvY A_`cō v t bi Rb` Av t` k cō v b Ki t Z ev m³ ú w E i c K Z g w j K t K m³ ú w E ev Gi` L j c Z` c ʔ Y i Rb` Av t` k cō v b Ki t Z cvi t e |

GLv t b Mōg Av` v j t j Z Avte` b Kivi b g t v Ges gvgj vi Av t` k b v gvi b g t v t` l q v n t j v:

Mög Av`vj tZ gvgj vi Avte`b cTÎ i bgjv

gvgj vi baf	:
`vtqti i Zwi L	:
gvgj vi ai b	:

tPqvi g`vb

..... BDıbqb cwi l`

DcTj v : tRj v :

wel q : Mög Av`vj Z MVtbi Avte`b Ges AwfthvM`wei weei Y |

Avte`bKvixi bvg l wKvbv	cöZev`xi bvg l wKvbv	mvTjxMtiYi bvg l wKvbv
NUbvi `vb :	(GLvtb Avte`bKvixi e ³ te`i we`wi Z weei Y Ges wZwb wK cöZKvi cö`bv Kti b Zvi weei Y _vKte)	
Zwi L :		
mgq :		
Zclmj :		
	Avte`bKvixi `Tj i RvZxq cwi Pq cTÎ bs	

(we.`? cöqvRtb GKwaK KVMR e`envi Ki v hrte |)

Avt` kbyv

.....BDwbqb cwi l` Mlg Av` vj Z
 DctRjv : tRjv :
 gvj vi baf : gvj vi aib :
 Avte` bKvix : ciZev`x :

Avt` tki baf I Zwi L	Avt` tki weeiY I tPqvi g`v`bi `v`i

7. cōZte`b

wewfbaecōqRtb BDubqb cwi l`tk bvbv aitbi cōZte`b cōZ KiZ nte| GKw ewl R AwL R weeiYx cōZ Ges Zv h_vmgfq `wLj Kiv GLb tgSwj K t_vK eivl (BBG) cvl qvi ceRZq tZgwb lvbWmK Ges miKvi KZR PwnZ Ab`vb` cōqRbxq cōZte`b `wLj Kiv GLb Acwinvhq G mKj cōZte`b OK Acvtikbjy g`vbqfaj cōvb Kiv ntqfQ| ZvQvov Avtiv wKoz cōZte`b cōZ l tcoY KiZ nq| G,tjv OK AvKvti wbtgaf` l qv ntjv:

μgK	cōZte`bi wktivbvg	hvi wBKU cōvb KiZ nte	cōvtbi mefkl Zwi L	wel q`ev weei Y	gSe`
1	ewl R cōZte`b	tRjv ckwM l `vbxq miKvi wefvM tcoYi Rb` BDGbl -i wBKU `wLj	30 tmP=†	m=ú Ges `vq t`bri weeiYmn ewl R AwL R l ms`vcb m=úwKZ	BDubqb cwi l`t`i tPqvi g`vb l miPe KZR cōZKZ Ges `wLj Z
2	ewl R AwL R weeiYx	tRjv ckwM l `vbxq miKvi wefvM tcoYi Rb` BDGbl -i wBKU `wLj	mvavi Yfvte 31 AvM=, Gj wRGmic:2-Gi t`t` 31 Rj vB	e`vsK weei Ymn ermii Avq l e`tqi m=úY® weeiwY	BDic tPqvi g`vb l miPe KZR cōZKZ l `wLj Z
3	Gj wRGmic:2 Gi AwL R l ev`e Kivfaj i cōZte`b	Gj wRGmic l tpe mvBU Pj ybr nl qv chS- wWVGj wRi wBKU BDGbl Ges `vbxq miKvi wefvM Abij w c tcoY	cōZeQti i 31 Rvbpwmi l 31 Rj vB	lvbWmK cōZte`b m=úwKZ mshp` di tgu Abvrti	BDic tPqvi g`vb l miPe KZR cōZKZ l `wLj Z
4	Mōg Av`vj Z m=úwKZ l vbWmK cōZte`b	tRjv ckwM l wefvMq Kugkbrti i wBKU tcoYi wbgE BDGbl -i wBKU `wLj	Rvbpwmi -Rtbi wi tcoU`tj v AvM= Rj vB-wWtm=† 1jv tde`qwi	cōZte`b OK mshp`	BDic tPqvi g`vb l miPe KZR cōZKZ l `wLj Z
5	Mōg cjj k m=úwKZ gwmmK cōZte`b	BDGbl	cōZgvrti 1g mBvtn ce@ZPgvrti KgZrci Zvi cōZte`b	AvBb k:Lj v cwi w`wZmn Mōgcjj tki Zrci Zvi weei Y	BDic tPqvi g`vb l miPe KZR cōZKZ l `wLj Z
6	Rb# l gZi wbeUb m=úwKZ gwmmK cōZte`b	tRjv ckwM tKi wBKU tcoYi Rb` BDGbl -i wBKU `wLj	cōZgvrti 1g mBvtn ce@ZPgvrti KgZrci Zvi cōZte`b	Rb# l gZi wbeUb, Rb# l gZi mb` cōvb m=úwKZ	BDic tPqvi g`vb l miPe KZR cōZKZ l `wLj Z
7	BDic Z` l tmev tK`a m=úwKZ gwmmK cōZte`b	tRjv ckwM tKi wBKU tcoYi Rb` BDGbl -i wBKU `wLj	cōZgvrti 1g mBvtn ce@ZPgvrti KgZrci Zvi cōZte`b	BDAvBGmimi Avq e`q Ges tmev cōvtbi weei Y	BDic tPqvi g`vb l miPe KZR cōZKZ l `wLj Z
8	`thM m=úwKZ cōZte`b	tRjv ckwM tKi wBKU tcoYi Rb` BDGbl -i wBKU `wLj	`thMmi mgq cōZte`b	`thMmi dtj t`q`wzi weei Y, t`v Zrci Zvi weei Y, t`v mgMō Ges Ab`vb` mrvqZvi Pwn` v	BDic tPqvi g`vb l miPe KZR cōZKZ l `wLj Z

BDwbqb cwi l`i l`vbwmmK gubUwi s cãZte`b
 BDwbqb cwi l`tK cãZ Qq gvm ci ci wbgewYZ wel tq GKwU cãZte`b cãqb l`wlj
 Ki tZ nte|

1. BDwbqb cwi l`/l qvWchqgi mfv mspvš-Z_":
2. weWRwmm mfvq BDwbqb cwi l` tPqvi gvb l` GKRB gwj v m`m` thvM w`tqvQj wK?
 (niv/bv)
3. l`qvWchqgi AskMhYgj K cwi Kí bv mspvš-Z_":
4. BDwbqb cwi l`i tKvfbv cuP eQi tgcw` cwi Kí bv i tqtQ wK? (niv/bv)
5. BDwbqb cwi l` Dbj³ evfRU mfv mspvš-Z_":
6. BDwbqb cwi l` evfRU Abtgv`b mspvš-Z_":
7. BDwbqb cwi l`i ewl R ivR`^evfRU
8. mefkl Ki -gj`vqb Kte Kiv ntqtQ? A_@Qi
9. BDwbqb cwi l` wbi xqv mspvš-Z_":
10. wefbaai tbi eK-Mt:Ui Ae`v
11. w`g ev`evqb cwi w`wZ
12. Z_` cKvk
13. weMZ Qqgvfm`vqx KwgwUi fvgKv m`úwKZ Z_":
14. mq mspvš-Z_":
15. mvgwRK l` cwi tekMZ mj qv mspvš-Z_":
16. cãk qvY/l wi tqtUkb/mspvš-
17. AvBBim mspvš-Z_":

7.1. BDwbqb cwi l` l`vbwmmK gubUwi s wi tcvU`di g (Gj wRGmic:2)

1. cwi wPwZ

weeiY	bvg	tKwW
tRjv		
DctRjv		
BDwbqb		

cãZte` tbi mgqKvj---gvm t`tKgvm chš-
DcvÈ msMhni Zwi L-w`bgvm-eQi
Rgv t` l`qvi Zwi L	
DcvÈ msMhKvi x	
ZÈjeavqK	

2. BDwC/l qvW^och^oqi mfV ms μ vš-Z_{..}:

mfvi bvg	Kw ^o qjZ / cwi Kwí Z	AwR ^o	AskM ^h YKvi x		Avtj vP ^o m ^o P	w \times vš- mgn
			cj "l	bvi x		
gvwK mfV						
l qvW ^o mfV						
BDwWm mfV						
w ^o tkl mfV						
w ^o g hvPvB mfV						

UxKv: (mfvi Kw^oqjZ ei Yx wi tcv^oUP m^o½ msh^o Kí tZ n^ote)

w^ow^oR^ow^om mfVq BDwC tPqvi g^ovb l GKRB g^ov^onj v m^o m^o thvM w^o t^oq^oQj w^oK? (n^ov/bv)

- tgvU mfvi msL^ov KZ?
- AskM^hY Kiv mfvi msL^ov KZ?
- thvM bv t^o l qv mfvi msL^ov
- hw^o AskM^hY bv K^ot^o v^oq^oKb, Kvi Y .
- tK tK Ask w^obt^oq^oB? 1| tKej BDwC tPqvi g^ovb, 2| tKej g^ov^onj v m^o m^o,
3| Df^oqB|
- Avtj vP^obvi w^oel q w^oK w^oQj?
- w \times vš-w^oK w^oQj?

b^obZg kZ^ov^owj /^o qjZvmPK ms μ vš-Z_{..}v^owj

3. l qvW^och^oqi AskM^hYgj K cwi Kí bv ms μ vš-Z_{..}:

l qvW ^o bs	AskM ^h Ygj K cwi Kí bv Awatektbi Zwi L	Rb ^o M ^o x ^o tK w ^o Kf ^o rte AeinZ Kiv n ^o q ^o Qj? (gvBwKs/Av ^o š ^o Y c ^o l/XvK w ^o cl ^o U ^o q/ e ^o w ^o MZ thvM ^o thvM ^o wj dtj U w ^o zi Y)	AskM ^h Ygj K cwi Kí bv Awatektbi tgq ^o	AskM ^h YKvi x		Rb ^o M ^o x ^o i c ^o l w ^o eZ c ^o K ^o t ^o i msL ^o v	AM ^o waKvi c ^o lB c ^o K ^o t ^o i msL ^o v		mfvi Dcw ^o wZ l w \times vš ^o - Z _{..} Av ^o Q w ^o K? (n ^o v/bv)
				cj "l	g ^o v ^o nj v		cj "l	g ^o v ^o nj v	

4. BDwC cvP eQi tgq^ow^o cwi Kí bv c^ol^oqb K^ot^oi t^oQ w^oK? (n^ov/bv)

hw^o n^ov nq, Zvntj cwi Kí bvi tgq^o, t^ot^oK ch^oš-..... eQi
5 eQ^ot^oi i cwi Kí bvi Rb^o m^oq^ote^o tgvU e^ot^oqi cwi gvY (UvKv)

5. BDic DbjP evfRU mfvi mspuS-Z_''

DbjP evfRU mfvi Zwi L	RbMtYi KvtQ Lmov evfRU weei Yx weZi tYi Zwi L	evfRU mfvi Z_'' cPvi (gvBwKs/AvgSj cI/XvK wcuUq/e''Mz thvMthwM/j dtj U weZi Y)	evfRU mfvi tgqv`	AskMhYKvi x		AskMhYKvi x` i gSe''	mfviq MpxZ wvxS-
				cj`l	gvnj v		

6. BDic evfRU Abjgv` b mspuS-Z_''

mfvi Zwi L	mfvi tbuUtki Zwi L	AskMhYKvi x` i aib					tgvU AskMhYKvi x		evfRU wK Abjgv` Z? (niv/bv)
		BDic m`m`	GiRl / mKxj mgvR	I qW® KigUli m`m`	GmG mim m`m`	mi Kwi `Bti i KgKZ# KgPvi x	tckvRex	cj`l	

(UxKv: tckvRex A_©AvBbRex, `g wK¶K, wPwKrmK BZ`w`)

7. BDwci ewl R evfRU

μwgK bs	ivRt`† Drm	Pj wZ eQti i evfRU	Pj wZ eQti i Avq (wi tcvUq` I qvi Zwi tL)	wMZ eQti i evfRU	wMZ eQti i cKZ Avq
	wbR`^Drm				
1	tnwi s U`v				
2	e`emv, tckv I RmeKvi I ci U`v				
3	wetbr` b Ki				
4	BDwci Bmj Kiv j vBtmY I cwi gtiUi Rb` cB wcl				
5	BRviv eve` cB K) nU-evRvi L) tLuqvo (Mew` ci i QvDwb)				
6	gUi Pwj Z hvb Qvov Ab`vb` cwi entbi I ci Avti wcz j vBtmY wcl				
7	m`uE t`K Avq				
8	Ab`vb` (RbX, gZi I bMwi KZj mbt` i Rb` wcl)				
9	`vZv ms`v, tj vi KiQ t`K cB				
	tgvU				
	mi Kwi Ab`vb				
1	BDwci eivl				
2	Gj wRGmic t`K eK MwU				
3	`vZv wE eivl				
4	fng n`vSi wclbi 1 kZvsk nrti cB				
	tgvU				
1	DctRj v t`K cB (hw` _vtK)				
2	tRj v cwi t` t`K cB (hw` _vtK)				
3	Ab`vb`				
	tgvU				
	meMwKtj`				

8. meKl Ki wbaY Kte Kiv ntqtQ? A_@Qi
 tnwi s U`v: i wbi fcz At`P cwi gvY ? UvKv
 cvP eQti i gta` Ki wbaY bv ntq _vKtj , Zvi Kvi Y

9. BDnc wbi x¶v msµvš-Z_”

wbi x¶vi aib	wbi x¶vi Zwi L	wbi x¶v gšē (AvcūÉnxb AvcūÉmn /Zt_”i Acūc”Zv/ weifc)	Pj wZ eQ¶i AwWU AvcūÉi msL”v	KqūU AwWU AvcūÉ wb®ūnÉ ntq¶Q	wb”ūnÉ bv n l qv AwWU AvcūÉi msL”v	KqūU wb”ūnÉ bv n l qv AwWU AvcūÉ Pj wZ eQi wb®ūnÉ ntq¶Q	tgvU KqūU AwWU AvcūÉ wb®ūnÉ Ki tZ nte (eZ¶vb +c¶e¶)
wmG dvg® Øvi v AwW_R wbi x¶v							
KgZrci Zv wbi x¶v							
mi Kwii wbi x¶v							
wetkl wbi x¶v							

BDnc t_vK eiv¶i i msµvš-Z_”

10. wewfbaai tbi t_vK eiv¶i i Ae”v :

t_vK eiv¶i aib	A_”cūšbi Zwi L	UvKvi cwi gvY	wKw”-(1g ev 2q)	my ūó cwi gvYmn ce¶Nwml Z eiv¶i mvt_ wfbūzv	wemZ eQ¶i i tP¶q e¶x i nvi (%)	e”q msµvš- Z_”
Gj wRGmic tgšij K t_vK eiv¶i						
Gj wRGmic ”¶Zv wfwÉK t_vK eiv¶i						
BDnc wRwc eiv¶i						
wetkl Abj vb						
DctRjv t_vK eiv¶i						
m¶lgZv e¶x i Rb” Abj vb						

11. $\bar{w}g$ ev \bar{e} iqb cwi $\bar{w}Z$

11. $\bar{w}g$ ev \bar{e} iqb cwi $\bar{w}Z$

I qW [®] bs	cwi Kí bv mfvq c [®] wēZ w \bar{d} gi msL \bar{v}	I qW [®] ch [®] qi tjvKRtbi gtZ AM [®] MaKvi w \bar{d} gi msL \bar{v}	BD [®] di Ab [®] gwi Z w \bar{d} gi bvg	w \bar{d} gi ai b	w \bar{d} gi e q (UvKvq)	I qW [®] Kv [®] U/ w [®] Kv \bar{v} ti i gra \bar{t} g ev \bar{e} wqZ nt \bar{Q}	w \bar{d} gi ev \bar{e} - eqb AM [®] MZ KZ f [®] M ntq \bar{Q}	w \bar{g} ev \bar{e} - eq \bar{t} bi gub (PgrKvi, L \bar{e} f \bar{v} j, f \bar{v} j, t \bar{g} vU \bar{g} vU, Lv \bar{v} c)	Kg [®] ms \bar{v} b m \bar{w} o	
									cj \bar{t}	bvi x

UxKv: w \bar{d} gi ai \bar{t} bi Rb \bar{t} K \bar{v} W: gw \bar{U} i iv \bar{v} -wbg \bar{P} =1, gw \bar{U} i iv \bar{v} -ms \bar{v} i=2, cwi b I m \bar{v} ib \bar{t} Ukb=3, c \bar{v} Kv moK wbg \bar{P} =4, tmZiK \bar{v} j f \bar{v} U \bar{e} =5, \bar{t} dj i Rb \bar{t} d \bar{w} bP \bar{v} i/h \bar{S} c \bar{w} Z=6, \bar{t} g feb wbg \bar{P} =7, t \bar{W} Bb=8, w \bar{e} \bar{v} jr mst \bar{h} W=9, evR \bar{v} i Dbq \bar{b} =10, \bar{t} gZ \bar{v} c \bar{v} k \bar{v} Y=11, Ab \bar{v} b \bar{v} =12 (D \bar{t} j \bar{L} -Ki \bar{b})

w \bar{d} gi \bar{v} YMZ g \bar{v} b e \bar{S} t \bar{b} v \bar{v} i Rb \bar{t} K \bar{v} W: PgrKvi=1, L \bar{e} f \bar{v} j=2, f \bar{v} j=3, t \bar{g} vU \bar{g} vU=4, Lv \bar{v} c=5

12. Z \bar{v} c \bar{v} K \bar{v} k

Z \bar{t} \bar{v} i ai b	h \bar{t} \bar{v} i Rb \bar{t} Z \bar{v} c \bar{v} K \bar{v} k Kiv ntq \bar{Q} (Rbm \bar{v} avi Y/EaY \bar{Z} b KZ \bar{e} \bar{v} /K \bar{v} U/mKj Ask \bar{v} i/Ab \bar{v} b \bar{v})	Z \bar{v} cvI q \bar{v} i \bar{v} b (BD [®] t \bar{b} wUk teW \bar{v} e \bar{v} f \bar{b} e \bar{v} t \bar{b} \bar{v} wcZ w \bar{e} j teW \bar{v} c \bar{v} K \bar{v} i Z \bar{v} teW \bar{v} t \bar{q} emBU/mfv)	Z \bar{v} m \bar{f} vq R \bar{v} b \bar{v} t \bar{b} v ntq \bar{v} K \bar{t} j, AskM \bar{b} YK \bar{v} i \bar{t} \bar{v} i msL \bar{v}	Z \bar{v} c \bar{v} K \bar{v} k bv Kiv ntq \bar{v} K \bar{t} j, K \bar{v} i Y D \bar{t} j \bar{L} - Ki \bar{b}
			cj \bar{t}	bvi x
BD [®] di cwi Kí bv				
BD [®] di ev \bar{t} RU				
c \bar{v} K \bar{v} i ms \bar{v} U \bar{S}				
A \bar{v} q \bar{b} ms \bar{v} U \bar{S}				
K \bar{v} U \bar{v} ms \bar{v} U \bar{S}				
w \bar{b} i x \bar{v} ms \bar{v} U \bar{S}				
\bar{t} gZ \bar{v} g \bar{v} \bar{v} q \bar{b} dj v \bar{d} j				

UxKv: t \bar{t} z \bar{v} i Rb \bar{t} K \bar{v} W: Rbm \bar{v} avi Y=1, EaY \bar{Z} b KZ \bar{e} \bar{v} =2, K \bar{v} U=3, mKj Ask \bar{v} i=4, Ab \bar{v} b \bar{v} =5

Z \bar{v} c \bar{v} K \bar{v} i i Rb \bar{t} e \bar{e} üZ gra \bar{g} : BD[®]di t \bar{b} wUk teW \bar{v} =1, w \bar{e} f \bar{b} e \bar{v} t \bar{b} \bar{v} wcZ w \bar{e} j teW \bar{v} =2, w \bar{g} Z \bar{v} teW \bar{v} =3, I t \bar{q} emBU=4, mfv=5

13. weMZ Qqgvf m vqx Kugwli fvgKv m uukZ Z_

μgKbs	Kugwli big	Bivqta' mVZ Kugwli					mfvq Dcw'Z m' m' i mSL'v	Avj v Pbv i mel q	msakē- DctRj v Awclm t_tK tKD Dcw'Z tQj uk? (nui/bv)	MpxZ i'Zcy® m×vS-	imev cōv tbi grtbi l ci cfiē (Dbz ntqt0/ tKv bv cwi eZē nqib/ AebwZ ntqt0)
		niv /bv	bv ntj , tKb?	MVtbi Zwi L (gim/ e0i)	niv ntj , Gw Gw m' q uk? (nui/ bv)	weMZ 'I gwmK AbjōZ mFvi mSL'v					
1	A_ēl ms'vcb										
2	unme i qY l ubi x'lv										
3	Ki gj'vqb l Av'vq										
4	uk'lv, 'r' l cwi eri cwi K i bv										
5	Kul , grm' , Mew' ci , l Ab'vb' A_ēwZK Dbq b KgKvē										
6	cj =AeKv'vgr Dbq b, tgi v gZ l i qYre qY BZ w'										
7	AvBb-k;Lj v										
8	Rb l gZi ubeUb										
9	m'vbtUkb, cwb mieivn, l mjqv i R										
10	mignRK Kj'vY l 'jhvfl e'e'vcbv										
11	cwi tek msi qY l Dbq b Ges e'q' i vcb										
12	cwi ewi K wēti va gwgismv, uk' i brix Kj'vY (cieZ' AA'j i Rb' bq)										
13	μxov l ms'wZ										

UxKv: imev cōv tbi gvb mspvš-tKwW: Dbz ntqt0 = 1, tKv bv cwi eZē nqib = 2, AebwZ ntqt0 = 3

14. μq ms μ vš-Z $_$

μ tqi aib	w $_$ đgi msL $_$ v	w $_$ đgi aib	ms μ k θ - KvRi Rb $_$ tgvU A $_$ t $_$ p cwi gvY	BD μ c t μ wUk tevtW μ q t μ wUk wQj wK? (niiv/bv/c θ hvR $_$ bq)	tU θ vti i t $_$ q $_$ t $_$ T, t μ wUk msev $_$ c $_$ t $_$ T cKvk Kiv n $_$ tq $_$ tQ wK? (RvZxq/ $_$ vb $_$ q)	gj $_$ vqb KvgU MwZ n $_$ tq $_$ tQ wK? (niiv/bv/c θ hvR $_$ bq)	gj $_$ vqb KvgU wi t $_$ c $_$ vU $_$ Av $_$ tQ wK? (niiv/bv/c θ hv R $_$ bq)
mi vmi μ q (ktgNb KvR Qvov)							
mi vmi μ q (tKej ktgNb KvRi Rb $_$)							
$_$ i c $_$ t $_$ i gva $_$ t $_$ g							
Db $_$ p $_$ tU $_$ Evi c $_$ $_$ $_$ $_$ q $_$ v							

w $_$ đgi aib ms μ vš-tKvW: gvU $_$ i iv $_$ v wbg $_$ pY=1, gvU $_$ i iv $_$ v ms $_$ v $_$ i=2, cw $_$ b I m $_$ wb $_$ tUk $_$ b=3, cvKv
moK wbg $_$ pY=4, tmZ/Kvj fvU $_$ =5, $_$ đj i Rb $_$ d $_$ wb $_$ Pvi/hš $_$ cwZ=6, $_$ đ feb wbg $_$ pY=7, tWBb=8, w $_$ $_$ jr
msthM=9, evRvi Db $_$ q $_$ b=10, $_$ q $_$ Zv c $_$ k $_$ q $_$ Y=11, Ab $_$ v $_$ b $_$ =12 (D $_$ tj L-Ki $_$ b)

15. mvgw $_$ RK I cwi t $_$ ekMZ mj $_$ q $_$ v ms μ vš-Z $_$

Ab $_$ tgw $_$ Z/ ev $_$ ewqZ w $_$ đgi bvg	I q $_$ w $_$ q $_$ KvgU Ab $_$ jnZ BGmGgGd w $_$ K $_$ ib $_$ t $_$ Rbv	GmGm $_$ m Ab $_$ jnZ BGmGgGd w $_$ K $_$ ib $_$ t $_$ Rbv	BD μ c-tZ mvgw $_$ RK I cwi t $_$ ekMZ hvPvB ms μ vš- bw $_$ c $_$ T Av $_$ tQ wK? (niiv/bv)	ih tKv $_$ tv mvgw $_$ RK I cwi t $_$ ekMZ Sp $_$ Ki t $_$ q $_$ t $_$ T BD μ c wK ai t $_$ bi c $_$ t $_$ q $_$ c M $_$ hY K $_$ ti t $_$ Q?	G c $_$ Ki Gj vKvi mvgw $_$ RK I cwi t $_$ ekMZ Ae $_$ v $_$ i Db $_$ q $_$ tb m $_$ n $_$ vqK n $_$ te wK? (niiv/bv/c θ hvR $_$ bq)

m¹gZv ep^x mspuš-Z¹

16. c¹k¹Y/I wi tqtUkb/wi tdkvi c¹k¹Y/cvi ¹vi K wLb

Abp ¹ bi bvg	w ¹ lq	AskM ¹ YKvi x		e ¹ q	tgq ¹	c ¹ k ¹ K	c ¹ k ¹ Y gj ¹ vqb Kiv ntqtQ wK? (niv/bv)	AskM ¹ YKvi x ¹ i gtZ c ¹ k ¹ Yi gvb (PgrKvi, Lp fij, fij, tgvUgju, Lvi vc)
		cj ¹ l	bvi x					

gvb mspuš-tKvW: PgrKvi =1, Lp fij =2, fij =3, tgvUgju=4, Lvi vc=5

17. AvBBim mspuš-Z¹

AvBBim Kvh ¹ ti ai Y	D ¹ i k ¹	Kw ¹ Y Z tktZv (Rbmavi Y /BDw ¹ msuk ¹ e ¹ w ³ eM ¹ m ¹ xj mgvR /mi Kw ¹ Kg ¹ Z ¹ mKj Ask ¹ vi)	c ¹ É tmev (AvBBim c ¹ Z ¹ vb/Gw ¹ R I / w ¹ Wq ¹ /Ab ¹ vb ¹)	tktZv ¹ i c ¹ Z ¹ w ¹ q (Bw ¹ ZevPK/ tbw ¹ ZevPK / tKvbUvB bq)	c ¹ B dj vdj	msuk ¹ e ¹ e ¹ q

c¹Z¹qbc¹

w¹oge¹Y¹ Kvi x (BDw¹bq¹bi bvg) BDw¹bq¹ cwi l¹ i
tPqvi g¹vb (tPqvi g¹vb¹ bvg) c¹Z¹q¹ Kw¹ tZw¹ th G w¹ tcvU¹
m¹úY¹ Ges D¹tj w¹ Z w¹ tcvU¹ tgv¹ G BDw¹c¹ Aw¹ R I Ab¹vb¹ Kg¹vt¹Ei m¹wK c¹Z¹dj b |
Aw¹g AeM¹Z i¹q¹ th G w¹ tcvU¹ tK¹vb¹ fij Z¹ c¹vb Kiv ntj t¹vK eiv¹ c¹vb ¹wM¹Z
Kiv ntZ c¹ti |

¹Y¹i:

Zw¹i L:

7.2 Mōg-Av`vj t̄Zi I vb̄mK cōZte`b

Mōg-Av`vj t̄Zi I vb̄mK cōZte`b di t̄gi bḡv

t̄Rjv :

Dc̄t̄Rjv :

.....BD̄wbq̄b cwi I`

1| ermi :

2| `vt̄qi KZ gv̄gj vi msL`v :

3| vb̄@úb̄oḡvj vi msL`v :

4| wePvi vaxb gv̄gj vi msL`v :

5| th mKj gv̄gj v vb̄@úw̄E Kiv n̄t̄q̄t̄Q Zvi msL`v :

6| Av`vqKZ w̄dm :

7| avh̄KZ Rwi gv̄bv :

8| Av`vqKZ Rwi gv̄bv :

Zwi L :

wj t̄gvni :

.....
BD̄wbq̄b cwi I` i t̄Pqvi g`vt̄bi `v̄i

w0Zxq tj vKvj Mfb@Y mvtcvU©c0R±
Gj wRGmnc:2

8. GjWRGmnci cUfng Dfík I Kvhþug

Avu_R weþK`iKiþYi gra`tg `vbxq miKvi cÅZövmgnþK kv³kvj x Kivi Dfík` evsjv`k miKvi 2004 mvtj BDwbqbw cwi l`mgþn mi vmi t_vK eivl` cövtbi cxwZ cþj b Kti | GiB avivevniKZvq ZYgj chþq `vbxq miKvi cÅZövb wntmte BDwbqbw cwi l`þK AwakZi Avu_R þlgZv, `þlgZv Ges `vbxq RbMþYi Pwin`wfvE`K Dbqbw Kvhþug cwi Pj bvq mþlg Kti Mto tZvj vi j þþl` `vbxq miKvi wefM 2000 mvj ntZ 2007 mvj chS-BDGbwWmc Ges BDGbwWGD Gi Avu_R mnvqZvq wni vRMÄ tRj vq ÖmivRMÄ tj vKvj MfbþY tWþfj ctgU dvÜ cKí (GmGj WRWGDwc)ó brtg GKwU cvBjU cKí ev`evqb Kti | Gi avivevniKZvq evsjv`k miKvi, weþ`vsk, BDGbwWmc, BDGbwWGD, B BD I WwbWv Gi Avu_R mnvqZvq t`þki mKj BDwbqþb Rj vB, 2006 ntZ wfmþt, 2011 tgqv` meþgvU 1330 tKwU UvKv e`tg tj vKvj MfbþY mvtcvU° cR± (GjWRGmnc) mdj fvte ev`evqb Kti | G cKí w weþK`iKiþYi tþtþ GKwU mdj Df`vM wntmte mKj gntj ckswmZ nq | GjWRGmnc cKí i mvdj` mKj gntj thgb ckswmZ nq tZgnb Gi MþYþhM`Zvl teþo hvq, hvi dtj Dbqbw mnþhMx ms`vmgn 2q GjWRGmnc cKí MþY evsjv`k miKvi þK mnvqZv cövtb AvMh cKvk Kti |

GjWRGmnc-i gj j þl` nt`Q `QZv Ges Revei`wzv cÅZövi gra`tg BDwbqbw chþq mþvmb wbuÖZ Kiv | G cKí i Avl Zvq chþq þtg t`þki mKj BDwbqbw cwi l`þK mi vmi t_vK eivl` cövb Kiv Övovl Zv`i `þlgZv eþx, `vbxq chþq `QZv I Revei`wzv cÅZöv, bZb I D`vebx Kvhþug ev`evqþbi gra`tg BDwbqbw cwi l`þK Kvhþi cÅZövb wntmte Mto tZvj v Ges RvZxq chþq weþK`iKiY evÜe bxwZ cövtþbi tþtþ mnvqZv cövb Kivi Df`vM tbi qv ntþtQ | `vbxq chþq mþvmb cÅZöv, `wi`a weþgvPb, RbAskMþYi gra`tg `vbxq Dbqbw Zi wšZ Kiv Ges ZYgj chþq Askx`wv Zgj K e`vcbv cÅZövi Rb` GjWRGmnc cKí GKwU „ZcY`c` þþlc |

GjWRGmnc:2-Gi Dfík`

G cKí i gra`tg BDwbqbw cwi l`mgn th eweZ t_vK eivl` tctq_vtK Zv Öviv RbMþYi cZ`þ AskMþYi gra`tg `vbxq chþq wefvbDbqbw cKí ev`evqb nt`Q | hvi dtj RbMY Zv`i Pwin`wfvE`K tmev cvt`Qb Ges RbMþYi cZ`þ AskMþYi dtj `vbxq Dbqþb RbMþYi Askx`wv Zj cÅZövZ nt`Q | t_vK eivl`i A`Öviv BDwbqbw cwi l`mgn RbMþYi Pwin`vi wfvE`Z th tKvþv Kvhþug Z_v `vbxq iv`v-NvU, weR-Kj fvU° tdi - NvU wbgþY ev ms`vi, cö_wgK I gra`tgK we`vj tg AvmevecI mieivn I AeKvWtgv wbgþY, mþcq cwmb mieivn, `v`mþšZ m`wþtUkb e`v cÅZöv, KwU Drcv`b eþx, Z` I thvMvþhM chþ³ Ges `v` e`v Dbqþbi Rb` Kvhþug MþY Ges mvgwRK Dbqþbi Rb` RbMþPbZvgj K KgþP ev`evqb KtþQ | Dfík` nt`Q Gi gra`tg BDwbqbw cwi l`þK kv³kvj x I RbAskMþYgj K `þl` `vbxq miKvi cÅZövb cwi YZ Kiv |

Kvhϕjg

G cKtí MnxZ Kvhϕtgi gta` itqtQ BDwbqbw cwi l`i wbePZ RbcZwbvat`i `qZv ewxi KgmP MhY, RbAskMhYgjK cwi Kíbv, DbjP evtRU mfv, AwR I μq e`evcbv, ^QZv I Review wnzv, cwi tek I mvgwRK mj qv Ges cZte`b cYqb wltq BDwbqbw cwi l`mgatK cKqYi e`ev MhY|

G cKtí IqvW©chq w`g ev`evqb KugwU itqtQ| G KugwU IqvW©chq MnxZ w`gmgfni cwi tekMZ, mvgwRK, AwR DcthwMZv Ges RbMtYi KvQ MhYthvM`Zv wetePbvq ti tL w`g evQvB Kivi Rb` KvR Ki tQ|

DctRjv chq t_K eiví mgšq KugwU itqtQ| G KugwU BDwbqbw cwi l`i mt½ AwfÁZv wewbgq Ges BDwbqbw chq w`g ev`evqbi wewfbwAwbgq wbtq AvtjvPbvi Rb` MwZ GKwU tdvvg| Gi Ab`Zg `wqZjntjv BDwbqbw cwi l`i Lmov cwi Kíbv I evtRU cYqtb Kwí Mwi mnvqZv c0vb Ges DctRjvi wewfbwAwbgq wbtq AvtjvPbvi w`dgi gta` ^ZZv cwinvti mnvqZv Kiv| GQvovl cKí ev`evqb m`úwKZ th tKvbtv Awbgqgi wltq G KugwU c`tqC MhY Kitz cvti| DctRjv wewfbwAwbgq Awdmvi G KugwU c0vb wntmte `wqZj cvj b Ktib Ges DctRjv wimvmUjgi m`mMY I DctRjv chqgi Ab`v` KgRZfn BDwbqbw cwi l`i tPqigv Ges cZ BDwbqbw t_tK GKRB Kti gunjv m`m` (e`vsk wmvte `qKi Kvix) wbtq G KugwU MwZ nq|

DctRjv chqgi mskéwefvMi KgRZf`i wbtq DctRjv wimvmUjg MVb Kiv nq| G wJg BDwbqbw cwi l`i wewfbwKgrvE wtkl Kti BDwbqbw cwi l`i `qZv Dbqtb mnvqZv c0vb Kti |

cKí ev`evqb wbt`Kv Abjviti IqvW©chqgi cwi Kíbv mfv AvtqvRb IqvW© emevmKvix AwKvsk gvbl, wtkl Kti gunjvMY Dcw`Z t_tK AvtjvPbvq AskMhY Ktib| w`g `Zwi Kti AMhAkvivwfwEK w`g,tjv BDwc eivei tC0Y Ktib| w`g I evtRU cYqtb Ges AMhAkviv wbarPty RbMtYi AskMhY wbowZ Kiv nq| G mKj wltq tRjv cKvmK Ges `vbxq mi Kvi wfvMtK AewZ Kivi cvkvcwk Rbmgfj cKvk Kiv nq|

wMZ A`eQimgfn Gj wRGmwc Zvi KvwqjZ j q`gvT v AtbKuvB ARB Kitz tctitQ, hv wtkl fvte Daj LthvM`| Gi gva`tg BDwbqbw cwi l`i wbePZ Rb cZwbvAMtYi Ges BDwbqbw cwi l`i m`lgZv ewx tctitQ| dtj tmev c0vtbi mvg`m`c0vwi Z ntqtQ| `vbxq chq wmxvS-MhY Ges Dbqbw Kvhϕtjg RbMtYi AskMhY cteP th tKvbtv mgqgi Zj bvq AtbK tetotQ| wMZ 4 eQti 4441 wU BDwbqbtbi e`vsk GKvDtu 1128 tKwU UvKv mivmwi tC0Y Kiv ntqtQ Ges Gi gva`tg 1 j q 10 nvRvti i tenk w`g ev`ewqZ ntqtQ|

cKtí i tgqvt`i PZL`eQti 4486 wU BDwbqbw cwi l` c0BtfU AwWU dvq0vivi AwWU Kivbtv ntqtQ| GuU cKtí i ^QZv I Review wnzv wbowZ Kivi tqtT Ab`Zg AMhWZ| ZvQvov DbjP evtRU mfv, w`g MhY, w`g ev`evqb, w`g ev`evqb ZE`yavb, gubUvi s I gj`vqb mKj tqtT B ^QZv I Review wnzv wbowZ Kivi Dcvq w`gvb itqtQ|

BDwbqbw cwi l`i m`f`gZv epxi Rb` c`K`i tgqvt` 60 nvrvtiil Awak Rbc`Zubwa Ges KgRZPKgPvix`K 5 w`b e`vcx c`k`f`Y c`lvb Kiv n`q`f`Q| G Kv`Ri Rb` c`k`f`Y c`B gv`vi tUvvi Ges Dc`Rjv wi`tmv`m`U`tgi m`m`f`i mn`thwMZv M`hY Kiv n`q`f`Q| Zv`i`i`Kl Dch`p` c`k`f`Y t`l`qv n`q`f`Q|

e`Z, RbM`f`Yi Pwn`v Abynv`ti tmev c`lv`tb m`f`g kw`³kvj x l Kv`h`Ri BDwbqbw cwi l` Mto tZvj vi c`Z`f`q evsj v`k mi Kvi, vek`p`vsK, BDGbwWvc, BDGbwvWvGd, BBD l WwvWvi -th`_ c`lv`tm Gj wRGmuc ev`emqZ n`q`f`Q hv RbM`f`Yi c`Z`vkv ci`f`Y A`tbKvst`k mdj n`q`f`Q evj hvq| evsj v`f`tki c`Z`s`-M`ogv`A`tj Dbqbw Kv`h`p`tgi th AM`v`Z Zvi c`lvb Askx`vi Gj wRGmuc| Gj wRGmuc-i mvdj` Ges RbM`f`Yi Pwn`v l mi Kv`ti i vbe`Pbx A`v`x`Kvi ev`evq`f`bi j`f`f` 2q Gj wRGmuc M`hY Kiv n`q`f`Q Ges eZ`g`v`tb Zv ev`emqZ n`q`f`Q|

e`vsK wnmve cwi Pvj bv:

Gj wRGmuc:2-Gi Rb` GKwU Avjv`v e`vsK wnmve v`K`te| BDwbqbw cwi l`i t`Pqvi g`vb, GKrb g`v`jv m`m` l BDuc mi`P`te i th`_ `v`f`f`ti wnmvewU cwi Pvj Z n`te| e`vsK wnmvte `v`f`f`i Kvix g`v`jv m`m` c`ZeQi ch`q`m`tg cwi ewZ` n`te|

8.1. Gj wRGmuc:2-Gi Avl Zvq BDwbqbw cwi l`i Rb` Abj vb

- tg`S`ij K t`v`K eiv`i (BBG)
- `f`f`Zv wfv`EK eiv`i (PBG)

8.1.1. tg`S`ij K t`v`K eiv`i (BBG) vba`f`Y l veZiY

- tg`S`ij K t`v`K eiv`i i 25% A`_`m`Kj BDwbqbw cwi l`i g`ta` mgnv`ti veZiY Kiv n`te|
- Aen`k`o 75 f`v`M A`_` A`w`f`U D`E`x`Y`BDwbqbw cwi l`i RbmsL`vi Dci wfv`E` K`ti 90% Ges AvqZ`f`bi Dci wfv`E` K`ti 10% eiv`i vba`v`P`Y Kiv n`te|
- `v`bxq mi Kvi wfv`M tg`S`ij K t`v`K eiv`i i (wewewR) A`_` B` w`Kw`f`Z c`lvb Ki`te hv c`Z` eQ`f`ii AvM`-`t`m`f`p`v`f` Ges tde`q`v`wi -gv`P` g`v`tm mi v`m`wi BDwbqbw cwi l`i e`vsK A`v`KvD`f`U cv`v`f`bv n`te|
- tg`S`ij K t`v`K eiv`i (BBG) l `f`f`Zv wfv`EK eiv`i (BBG) Gi A`S`Z 30% A`_` bvi`f`i i O`viv AM`v`a`Kvi c`B w`g ev`evq`f`bi Rb` e`q Ki`f`Z n`te|
- tg`S`ij K t`v`K eiv`i (BBG) l `f`f`Zv wfv`EK eiv`i (BBG) Gi m`f`el`P` 10% A`_` m`f`gZv epx` msp`v`S`- Kv`R (c`k`f`Y, cvi`u`wi K w`k`Lb, w`g `Z`wi i Rb` c`lv`q`Rbxq mnvqZv, mj`f`lv e`e`v`mg`n, wnmve i`f`f`Y, BDwbqbw ch`q`i Z`v`w` Kiv`u`DUv`f`i G`w`U; g`v`jv Dbqbw t`d`vi`v`g`f`k mnvqZv c`lvb Ges Ab`v`b` v`b`v` O` `f`f`Zv epx` mnvqZv) e`q Kiv hv`te| 10% A`_`D`tj w`E`Z t`f`f`f` e`q bv n`tj w`g ev`evq`f`bi e`q Kiv hv`te|

8.1.2. tgšuj K t_vK eivl w`dgt c0etki Rb` c0_wgK thvM`Zv wbafti Yi gvcKwW:

thvM`Zvi gvcKwW	mPK	c0qvRbxq`wj j w`
1. ce0ZP Aw_R eQti i AvcwEnxb Aw_WU c0Zte`b	wbi tc`q Aw_WU c0Z0vb 0viv Aw_WU m=ubki Y Ges Aw_R Aw_bqgwenxb Aw_WU c0Zte`b	BDwbqb cwi l` i Aw_WU c0Zte`b
2. cieZr Aw_R eQti i ewl R cwi Kí bv l evtRU	Rbmvari ti Yi AskM0ti Y l qW© mfvq cwi Kí bv c0qb Rbmvari ti Yi AskM0ti Y Dbj ³ evtRU mfv Ges BDwbqb cwi l` KZR Abtgv` Z evrmi K evtRU	AskM0ti YKvix` i` i` q`l i mn l qW©mfvi Kvh0ei Yx Dbj ³ evtRU Awatektbi `q`wi Z Kvh0ei Yx/ nwi Riv eB Ges ewl R evtRti Ui Abvj ic
3. mgggZ l vbwWmK wi tcvU`c0 vb	31tk Rj vB Ges 31tk Rvbgvwi i gta` c0Zte`b Rgvki Y	c0Zte` tbi KwC

th mKj BDwbqb cwi l` Dcti vtj w`Z thvM`Zv AR0b e`_nte Zvi v tgšuj K t_vK eivti i gvI 25% eivl c0te|

8.1.3. `qZv wfvE`K Abj vb (wcvewR)

- tgšuj K t_vK eivl c0B BDwbqb cwi l` mgtni mweR `qZv Dbqtb Drmwn c0vtbi Rb` `qZv wfvE`K eivl c0vb Kiv nte| Aw_R l ivR`^e`vcbvi wewfbew` K, thgb ivR`^Avq ewx, ivR`^Av`vtqi nvi, `^QZv l Revew`wZv, RbMti Yi AskM0ti Y, cwi Kí bv l evtRU c0qb Ges c0Zte`b BZ`w` weltaq th mKj BDwbqb cwi l` `qZv c0k0 Kitz c0te Zvt`i`K G eivl c0vb Kiv nte| c0ktí i w0Zxq e0i t`tk `qZv wfvE`K eivl c0vb i`i` nte|
- `qZvi gvftbi Dci wfvE`K Kti tRjv ch0q c0g mwi i 75% BDwbqb cwi l` tk wZbwU fvM fvM Kti G eivl c0vb Kiv nte|
- `qZvi gvftbi w`K t`tk c0g 25% BDwbqb cwi l` Zvt`i c0c` tgšuj K t_vK eivti i Aw_Zwi 3 30% A`c0te|
- cieZr 25% BDwbqb cwi l` Zvt`i c0c` tgšuj K t_vK eivti i Aw_Zwi 3 20% A`c0te|
- ZrcieZr 25% BDwbqb cwi l` Zvt`i c0c` tgšuj K t_vK eivti i Aw_Zwi 3 10% A`c0te|
- c0ktí i 3q e0ti GKw ga`eZP gj`vqb Kvh0rg cwi Pj bv Kiv nte| ga`eZP gj`vqbtbi gva`tg c0B Zt`i Dci wfvE`K Kti cieZP e0i ,tj vtZ G weltaq c0qvRbxq c`t`q c M0ti Y Kiv nte|

8.1.4. t_vK eivl' wej ʔ~wMZ nevi Kvi Y

Kvi Ymgñ	dj v dj
ewl R AwWU bv Kivtbr	cieZPA_@Qti tgvšwj K t_vK eivl' c0vb ~wMZ_vKte
weie ev c0qvRbxq Z_ c0vfb e_Švi Rb AwWU AvciE	<p>(1) Z`š ub@ubabov nI qv chS t_vK eivl' ~wMZ_vKte </p> <p>(2) Pøvš- AwWU djvdtji Dci wfvE Kti h_vh_ t`Iqwb Ges tdSR`wii e`e`v MhY (eivj vt`k mi Kvti i AvBbvbjmvti) </p> <p>(3) RwoZ e`w³ KZK ~vbxq mi Kvi wfvMtk wbgvbjmvti AvZtmvKZ A_@di Z c0vb Ki tZ cvti </p> <p>(4) ~vbxq mi Kvi wfvM KZK RwoZ BDwbqbwil`mgñni bvg RvZxq c0vi gra`tg cKvk Kiv nZ cvti GQovl ~vbxq mi Kvi wfvM:</p> <p>(K) Gj wRGmuc t_tK A_@ AvZtmvZ RwoZ BDwbqbwil` AthvM` tNvI Yv Ki tZ cvti </p> <p>(L) AwWU wivcvU® wPwY Z BDwbqbwil` c0Zwbwa /KgRZv® i wei`tx gvgjv`vtqi Ki tZ cvti </p>
cY% IvbWmK c0Zte`b c0vfb e_Šv	BDwbqbwil` tK tgvšwj K t_vK eivl' c0vfb wej ʔ
cwi tekMZ Ges mvgwRK mj ʔjv KvVtgv c0qvM e_Šv (GwU b`bZg thvM`Zv bq Zte GwU GKwU evav wmvte weteiPZ nte)	cieZPeQti i Rb` tgvšwj K t_vK eivl' c0vb Kiv nte bv Ges mvgv j`Ntbi gvIvi Dci wfvE Kti t_vK eivl' c0vb ~wMZKiY

8.1.5 Gj wRGmnc:2-Gi A_ŕviv thme w`g MõY Kiv hvte

thvMthvMt Mõgi iv`wmgA wbgŕ /cþubgŕŕ Kiv; we`gvb iv`wmgA iŕŕYvteŕŕŕ Kiv; Kvj fvU`wbgŕŕ Kiv; weR/dŕŕl fvi weR wbgŕŕŕ Kiv; Mõgi iv`v ev moþKi Dci cwmb w`vkb tWBb wbgŕŕŕ Kiv; hvŕx OvDwb wbgŕŕŕ Kiv|

ŕ`ŕ` t MõgxY ŕ`ŕ` tK`^ a wbgŕŕŕ ev cþubgŕŕŕ; ŕ`ŕ` mþPZbZv, cwi evi cwi Kí bv, Rb`ŕ` Ges cwi`vi cwi`QbZv AŕfHvb cwi Pvj bv Kiv; ŕ`ŕ` tK`^ i Rb` Jla mieivn; ŕ`ŕ` tK`^ i DcKiY mieivn; LÉKvj xb ŕ`ŕ` Kgxŕ teZb cŕvb Kiv|

cwmb mieivnt weMZ 10 eQþii eb`v`þii EþaY`vbxq RbMþYi Rb` cwmb mieivtñi j tŕŕ` bj Ke`vcb Kiv; ŕŕi` mgvRwŕwÉK cwmb mieivtñi Rb` cŕBc`vcþbi w`gmgA; Sibvi cwmb msMõ Kiv; cwmbi msi ŕŕYvMvi wbgŕŕŕ Kiv|

wkŕŕvt wkŕŕv cŕZõvtþbi ms`vi, wbgŕŕŕ, cþubgŕŕŕ; cŕ`wgK we`vj tŕq Avmevecŕ mieivn; wkŕŕv DcKiY µq; wkŕŕv mþPZbZv cŕvi Yv KgmŕP MõY Kiv|

cŕKwZK m`ú` e`e`vcbrt mvgwŕRK ebvqb KgmŕP; fŕg ŕŕq cŕZivtþai Dþi tK` AeKvŕtŕgv wbgŕŕŕ; cŕKwZK m`ú` e`e`vcbrv weŕqK cŕkŕŕŕ cŕvb Kiv|

Kwŕ Ges evRvit Mew`cŕi wUKv`vb tK`^ a wbgŕŕŕ; evRvit i tUvj Ni ev OvDwb wbgŕŕŕ; meŕvaviþYi e`envh`tmP mŕeavi e`e`v Kiv; DbZ Pŕlveŕ` i Dci Kwŕi Mwi cŕkŕŕŕ cŕvb Kiv|

cqtw`vkb Ges eR` e`e`vcbrt cqtw`vktþbi mþhvM mŕeavi Rb` cŕtcŕvŕŕŕ wbgŕŕŕ; cqtw`vkb m`ú` tK`MYmþPZbZv cŕvi AŕfHvb cwi Pvj bv; evtŕqM`vm`vcb| gvbe m`ú` Dbqbt bvi x Dbqbt l bvi x` i AvZŕ Kgmŕs`vbgj K wkŕŕv; `y` i Rb` Avqew`x cŕkŕŕŕŕ; `wi` a hŕK l hŕ gŕnj vt` i Rb` `ŕŕZvev`x cŕkŕŕŕŕ; `wi` a hŕK l hŕ gŕnj vt` i Rb` Z` cŕhŕ` cŕkŕŕŕŕ; BDwbqb Z` tK`^ i Rb` mnvqZv; Z` l cŕhŕ` i Dbqbt|

8.1.6 Gj wRGmnc:2-Gi A_ŕthme tŕŕŕŕ e`q Kiv hvte bv

K) BDwbqb cwi l` tPqvi g`vb, m`m` wkŕŕŕŕ Kgmŕ i teZb, gRŕŕi wkŕŕŕŕ Ab` tKvŕbv mŕeav t` l qv|

L) ŕŕi` a A`ŕqbmñ tKvŕbv A`ŕqwmZK tmev thLvŕb ŕŕŕ` e`emvi Dþ`vŕM FY mieivn Kiv nq|

M) Ggb tKvŕbv cŕKí MõY Kiv hvte bv, hvi tbwZevPK cwi tŕkMZ/mvgwŕRK cŕŕve AvŕQ|

N) agŕŕ cŕZõvtþbi mvŕ` mshŕ` tKvŕbv cŕKŕŕŕ weŕwŕŕ/wcŕwŕŕ Zñej t` tK A`ŕqb Kiv hvte bv|

O) BDwbqb cwi l` i AeKvŕtŕgv, t` l qj wbgŕŕŕ, Avmevecŕ l hŕŕwZ msŕvŕŕ tKvŕbv cŕKŕŕŕ weŕwŕŕ/wcŕwŕŕ Zñej t` tK A`ŕqb Kiv hvte bv|

8.2. Gj wRGmnc:2-Gi cÖwZömbK KvVtgv Ges ev̄ evqb ēēv

8.2.1. RvZxq chf̄q: cÖR± w÷qwi s KvgwU (wGmm):

- cÖKí ev̄ evqb Kv̄R wbt̄ Rbv I ZÉveav̄tbi Rb̄ RvZxq chf̄q GKwU cÖR± w÷qwi s KvgwU _vKte |
- ṽvbxq mi Kvi wefv̄Mi miPe c`waKvi etj D³ KvgwU i mfv̄cWZ nteb |
- RvZxq chf̄q Gj wRGmnc:2 ev̄ evq̄tbi Rb̄ ṽvbxq mi Kvi wefv̄Mi GKRB AvZwi³ miPe RvZxq cÖKí cwi Pvj t̄Ki (Gbw̄cW) `wqZj cvj b Ki teb |
- ṽvbxq mi Kvi wefv̄Mi h̄j/MmiPe/ Dcm̄Pe (BDw̄c/AvWU/gwbUwi s I gj`vqb) cKt̄i i t̄dvKvj c̄t̄qU wnmv̄te cÖKí ev̄ evq̄tbi Kv̄R mrvqZv Ki teb |
- evsj v̄`k mi Kv̄t̄i i Dcm̄Pe chf̄qi `β Rb KḡZ̄Dc-cÖKí cwi Pvj K (w̄w̄cW) wnt̄m̄te RvZxq cÖKí cwi Pvj Kt̄K cÖKí ev̄ evq̄t̄b mrvqZv Ki teb |
- RvZxq ṽvbxq mi Kvi Bbw̄÷wUDU (GAvBGj wR) `¶Zv ew̄xgj K Kv̄h̄t̄g mgš̄q mvab Ki te |

8.2.2. tRj v chf̄q: tRj v mgš̄q KvgwU (wWmm):

gv̄w chf̄q t̄`t̄ki mKj BDwbq̄b cwi I t̄` mdj fv̄te Gi ev̄ evqb, gwbUwi s Ges cÖqvRbxq w̄ K wbt̄ Rbv cÖv̄tbi Rb̄ t̄`t̄ki mKj tRj vq tRj v cÖkvm̄t̄Ki t̄bZt̄Zj wbḡe/cfv̄te tRj v mgš̄q KvgwU (wWmm) MVb Ki t̄Z nte |

- | | |
|--|-----------|
| 1) tRj v cÖkvm̄K | mfv̄cWZ |
| 2) tRj vi mKj Dc̄t̄Rj v cwi I t̄` t̄Pqvi ḡvb | m`m` |
| 3) tRj vi mKj Dc̄t̄Rj v wbēf̄x Aw̄d̄mvi | m`m` |
| 4) tRj vi cÖZ`K Dc̄t̄Rj v t̄`t̄K GKRB fv̄Bm t̄Pqvi ḡvb
(chf̄qμwgKfv̄te) | m`m` |
| 5) tRj vi cÖZ`K Dc̄t̄Rj v t̄`t̄K GKRB BDw̄c t̄Pqvi ḡvb
(chf̄qμwgKfv̄te) | m`m` |
| 6) cÖZ`K Dc̄t̄Rj v t̄`t̄K GKRB bvi x BDw̄c m`m` (chf̄qμwgKfv̄te) | m`m` |
| 7) tRj v chf̄q msw̄k̄e-mi Kw̄i `B̄t̄i i c̄äv̄b (ṽvbxq mi Kvi cÖKŠkj
Aw̄a`Bi, Rb̄`v̄` cÖKŠkj Aw̄a`Bi, Kw̄l, w̄k̄¶v, ṽv̄` I cwi evi
cwi Kí bv, mgvR t̄mev, weAvi w̄w̄ve Ges tRj vq KḡZ̄ Ab̄ t̄Kv̄t̄b
i`ZcȲns̄`vi tRj v chf̄qi `Bi c̄äv̄b) | m`m` |
| 8) tRj v cÖkvm̄b KZ̄R̄ ḡt̄bv̄xZ Gbw̄RI cÖZw̄ba Ges ṽvbxq mi Kvi
weI t̄q Aw̄f̄Á/Av̄M̄h̄x MY`ḡvb` e`w̄³ (3-5 Rb) | m`m` |
| 9) Dccwi Pvj K, ṽvbxq mi Kvi | m`m`-miPe |

Wwmmwōi Kvhēij

- Dccwi Pvj K, ṽbxq mi Kvi KZṚ cō Ē wṽḡgi AMMwZ cōZte`b chēij vPbv Ges Gj wRGmnc:2- ev`evqṭbi AMMwZ cwi exṚY;
- tgšij K t_vK eivī Ges `ṚZv wfwĒK eivṭī i Avl Zvq wṽḡg/tmev cōvṭbi bxwZ cṽqḡ/wPwY ZKiY I ev`evqṭb cōqvRb Abhvqx DcṭRj v I BDwqḡb cwi l`mgnṭK w Kwbṭ`kḡv I civgk`cō vb;
- tRjv chēiq cḡī mspvš-AvcwĒ/AwftḡvM wḡūwĒKiY Kvhēiq Z`viwK Ges cḡṭī i A_ē`envi/wewRwmm Gi wmxvš/BDwqḡb cwi lṭ`i cḡī/wṽḡg e`ē`vcbv m`m`m`Pe m`Kj m`m`ṭK AšZ GK mḡv AvṭM wj wLZ tḡwUk cō vb Kiṭeb|
- Dccwi Pvj K, ṽbxq mi Kvi KZṚ cō Ē cōZte`ṭbi „i“ZcYḡelq, tḡv chēij vPbv Ges BDwC Acvṭikbvj g`vbṭqj I ṽbxq mi Kvi (BDwC) AvBb 2009 Abhvqx cōqvRbxq wmxvš-MōY;
- BDwqḡb cwi l`mgnṭK mgq gṭZv mnvqZv cōvṭbi Rb` DcṭRjv chēiqi `Bi mgnṭK cōqvRbxq wḡ`Rbv cō vb;
- BDwqḡb cwi lṭ`i mṚḡZv ewx Ges wbxṚṭv Kvhēiqmn Gj wRGmnc:2- mskē-Ab`vb` KgṚvṭĒi mgšq mvab|

tRjv mgšq KwgU cōZ 6 gvṭm AšZ GKevi mfv Kiṭe; Zṭe, mfvwZ Ri`wi cōqvRṭb GKwaK mfv AvnYvb KiṭZ cviṭeb| tRjv mgšq KwgU mfv Abḡvṭbi Rb` m`m`m`Pe m`Kj m`m`ṭK AšZ GK mḡv AvṭM wj wLZ tḡwUk cō vb Kiṭeb| mKj tRjv m`ṭi A_ev KwgU wmxvš-Abhvqx tKvṭbv GKwU DcṭRjv cwi l` Kvhēiq ṭq KwgU mfv AbḡōZ nṭe| mfv AbḡōZ nI qvi 15 Kvhēiq eṭmi gṭa` mfv Kvhēiq Yx mskē-mKj ṭK Ges ṽbxq mi Kvi wfvṭM tēōY KiṭZ nṭe|

8.2.3. DcṭRjv chēiq: eK MōU tKv-AwWḡbkb KwgU (wewRwmm):

gvW chēiq ṭṭki mKj BDwqḡb cwi lṭ` mdj fṭe Gi ev`evqḡ Ges h_vh_fvṭe Zv gwUwi s-Gi Rb` ṭṭki cōZwU DcṭRjv q wḡḡē/cfvṭe eK MōU tKv-AwWḡbkb KwgU (wewRwmm) MVb KiṭZ nṭe:

DcṭRjv wbeḡx Awcmvi (BDGbI)	mfvwZ
DcṭRjvi Aaxb`mKj BDwqḡb cwi lṭ`i tPqvi g`vb	m`m`
BDwqḡb cwi l` t_vK eivṭī i e`vsK A`vKvD>U cwi Pvj bvKvi x gwjv	m`m`
BDwqḡb cwi l` m`m`	
wfwfj tmvmvBwU/e`w³LvṭZi (cōBṭFU tm±i) m`m`mn DcṭRjv	m`m`
wiṭmvmḡUṭgi (BDAvi wU) m`m`MY	
DcṭRjv mnKvi x cōKškj x, Gj wRBwW	m`m`-mḡPe

* DcṭRjv cwi l` tPqvi g`vb I Dccwi Pvj K ṽbxq mi Kvi wṭkl fṭe AvgwšZ AwZw_ wṭṭṭe wewRwmm mfvq Dcw`Z_vKṭeb|

weRimim-Gi Kvhfej :

weRimim wbtgeWYZ wel q,tj vtZ BDwbqbw cwi l` mgntK ci vqk⁹ mnvqZv w` te:

- K) 5 eQi tgqw` cwi Kí bv cYqb;
- L) w`dgi Kwí Mwi I Awl_R m`te`Zv gj`vqb;
- M) weRfboms`vi m`½ mgšq I Zvt` i mnvqZv wlvwDZKiY;
- N) BDwbqbw cwi l` mgnti gta` Ges DctRj vi m`½ Z_` weRbgq wlvwDZKiY;
- O) DctRj v cwi l` ev Ab`vb` ms`vi gva`tg cwi Kwí Z ev ev`ewqZ w`dgi t`fj`fI AwfbaAbjfc bv nI qvi wel qW wlvwDZKiY;
- P) mvgwRK I cwi tekMZ w`K t`tK h_vh_ mZKZv Aej`ab Ges mvgwRK I cwi tekMZ mj`fvi cDZcvj b wlvwDZKiY;
- Q) GwWic I evfRU ev`evqtb w`i KZ j`fj` AR`bi Rb` mweR AMWZ gj`vqb;
- R) DctRj v ch`q mgšq I/A_ev n`f`fj`ici cDqvRb i tqfQ Ggb Bmj wetePbvq tbi qv;
- S) BDwc I DctRj vi m`fjgZv ewx I wk`fjvj K KgRv`Ei mgšq mvab I ZivwšZ Kiv Ges;
- T) `fjZv gj`vqb Pwn`v Abjvqx`fjZvi gvb Dbqbb|

weRimim cDZ wZb gvfm AšZ GKevi mfvq emte| weRimim Gi ewl`R Dbqbb cwi Kí bv I mgšq mfvq wi tmvm`cvmB wntmte AskMhY Kivi Rb` DctRj vq we`gvb weRfboms`vtK (thgb: wk`fjv, `v` BZ`w) AvgšY RvbvZ cvi te| cDqvRtb, weRimim Gi mfvciw AwZwi³ weRimim mfv AvvYvb Ki tZ cvi teb|

8.2.4. I qW⁹KwguW (WieB-im):

- I qW⁹ch`qi cKvk` mfv Abjvb Kti I qW⁹KwguW MVb Ki tZ nte |
- KwguWi m`m` msL`v nte 7 Rb|
- msiké-I qW⁹m`m` ev msiw`fjZ Avntbi gunj v m`m` nteb KwguWi AvvYvqK|
- BDwc m`m` `B Rb|
- `g wk`fjK GKRB|
- `vbxq mgvRtmeK `B Rb (GKRb bvix I GKRB cj`I)|
- GbwRI / m`kxj mgv`fRi cDZwvva GKRB|
- gy³thv`v/gv³thv`vi mšvb (cvi qv bv tMj GKRB mvavi Y bvMwi K)|
- I qW⁹KwguWi Kgct`fj 2 Rb gunj v m`m` nteb |
- tKv`bv I qW⁹KwguWi m`m` w`g ZE`veavb KwguWi m`m` nZ cvi teb bv|
- m`tm`i ga` t`tK KwguW KZK gtbvbxZ GKRB m`m`-mivPtei `wqZi cvj b Ki teb|

- msiw¶Z Avmtbi gwnjv m`m`MY Kgc¶¶ 3wU I qvW©KwguUi AvnYvqK nteb| GKRb gwnjv m`m`, Zui wbe¶¶bx Gj vKvq, cvjvµtq 3wU I qvW©KwguUi AvnYvqK nteb|
- I qvW©m`m`e;` KZK AvtqwrZ I qvW©ch¶¶qi c¶Kvk` mfv t_¶K Ab`vb` m`m`¶`i Gj vKvi Rbmavi Y g¶bvbxZ Ki teb|
- tKv¶bv e`w³ GKB mvt_ GKwUi tenk I qvW©KwguUi AvnYvqK/mfvwZ n¶Z cvi teb bv|
- m`m`¶`i ga` t_¶K KwguU KZK g¶bvbxZ GKRb m`m`-m¶¶tei `wqZi cvj b Ki teb|

WweÐ-wmØi `wqZi I Kv¶¶ej :

- I qvW©mfv gva`tg `vbxq ch¶¶qi cwi Kí bv c¶¶qb Kv¶¶ig Ges RbAskMh¶¶Yi gva`tg D³ cwi Kí bv c¶¶qtb mnvqZv Kiv|
- Ab¶¶gw` Z w`g ev`evqb Kiv|
- msiw¶-I qvW©_vK eiv¶¶i Avl Zvq wKv`vi KZK ev`evqbraxb w`g_¶jv wbuqgZ ZÈyavb Kiv|
- k¶¶Nb Kv¶¶Ri t¶¶¶¶ `vbxq k¶¶K wbtqvM wbuØZ Kiv|
- mi vmi µq c×wZ A_ev `ic¶¶i gva`tg µq c×wZ Ab¶¶i Y K¶¶i gvjvgj µq Kiv/w`g ev`evqb Kiv|
- w`¶gi mvgwRK I cwi ¶ekMZ c¶¶ve hvPvBKi Y|
- cwi ¶ek Ges mvgwRK evQvBKi Y (BGmGgGd) Ges BGmGgG¶¶di wiv¶¶D dg© `Zwi |
- Ací GKwU µq KwguUi `i Kvi Av¶¶Q wKbv tm msvµš-wm×vš-Mh¶¶Y|
- mi eivnKvi x/thvMvb`vZvi wbuKU t_¶K cØ È µq Av¶¶ k/Kg¶¶` k Ab¶¶vqx `è`mvgM¶¶/tmevmgn e¶¶S tbi qv|
- mKj µ¶¶i wj, fvDPvi, gv÷v i¶¶ij BZ`w` msi¶¶¶Y Kiv Ges BDwqb cwi I `¶K AwWU Ges Ab`vb` Kv¶¶¶¶gi Rb` HmKj KvMRC¶¶ cØ vb Kiv|
- GOrv¶¶ BDwqb cwi I ` KZK cØ È Ab`vb` `wqZi cvj b Kiv|

w`g ev`evq¶¶i Rb` WweÐ-wm th me c×wZ Ab¶¶i Y Ki te:

c×wZ 1: hv` h¶¶_w¶¶Z g¶¶b nq, 500,000/- (civ j ¶¶) UvKvi Kg e`q m`úbæk¶¶Nb w`g I qvW©KwguU mi vmi ev`evqb Ki ¶Z cvi te| GB t¶¶¶¶ I qvW©KwguUi `wqZmgn wbu¶¶fc:

- BDwqb cwi I ` Zv¶¶i th Ab¶¶gw` Z w`g w`¶¶¶Q Zvi cwi Kí bv I ev`evqb Kiv|
- c¶¶¶j Z evRvi `¶¶i `vbxq k¶¶K¶¶i mvt_ mi vmi Pw³ Kiv|

w̄-g ZĒyeavb KugwU wbgwj wLZ `wqZmgā cvj b Ki te :

- Abt̄gw` Z w̄-g kZĒw̄j Abt̄hvqx ev̄-evqbKv̄t̄j Kv̄t̄Ri gvb, cwi gvY I mgqm̄xv wK Av̄t̄Q wK bv Zvi w̄bqwgZ gw̄bUwi s Kiv|
- wKv`v̄t̄i i w̄bqwgZ Kv̄RKt̄g[Ⓜ]RvM `w̄ó i vLv (Kv̄t̄Ri gvb, KvR mgqgZ nt̄^o wK bv, BZ`w̄`);
- cwi ex̄[Ⓜ]YKv̄t̄j t̄Kv̄t̄bv Ĩ^{w̄}U cvl qv t̄M̄t̄j m̄st̄kvāt̄bi Rb` I qvW[Ⓜ]KugwU[Ⓜ]K civgk[Ⓜ] t̄`I qv| Zviv t̄Kv̄t̄bv e`e^v M̄h̄Y bv Ki t̄j w̄j wLZfv̄t̄e BDw̄bqb cwi I` t̄K Rv̄bv̄t̄bv Ges BDw̄bqb cwi I` I hw̄` t̄Kv̄t̄bv e`e^v M̄h̄Y bv Kt̄i Zvn̄t̄j w̄j wLZfv̄t̄e wewRv̄mw̄- t̄K Rv̄bv̄t̄bv|
- I qvW[Ⓜ]KugwU w̄-g wWRvBb/bKkv I c⁰ w̄j Z e`qm̄xvi ḡt̄a` h_vh_ gvb eRvq ti t̄L ev̄-evqb Kt̄i t̄Q wK bv, w̄-g ZĒyeavb KugwU nt̄Z Zvi QvocĪ t̄`I qv| GB QvocĪ cvevi ci BDw̄bqb cwi I` t̄P̄t̄Ki gva`t̄g mgv̄β KvRw̄U i gj` cwi t̄kva Ki te|
- Kv̄h̄[Ⓜ] k/μq Av̄t̄`k ch̄[Ⓜ]j vPbv Kiv|
- `vbxq Ab̄j vb msM̄h̄|
- mvgw̄RK I cwi t̄ekMZ Ae^v ch̄[Ⓜ]j vPbv Kiv|
- ev̄-evqb Kv̄t̄Ri gvb I Gi c̄f̄ve m̄^ut̄K[Ⓜ]m̄f̄vi gva`t̄g ep̄Ēi Rb̄t̄M̄v̄x̄t̄K Rv̄bv̄t̄bv|
- GQrovI BDw̄bqb cwi I` KZ[Ⓜ] c⁰ Ē Ab̄`vb` `wqZj cvj b Kiv|
temieKw̄i wKv`vi KZ[Ⓜ] w̄-g ev̄-evqbKv̄t̄j w̄-g m̄cvi w̄f̄kb KugwU mRvM `w̄ó i vLte| th mKj w̄-g, w̄-g m̄cvi w̄f̄kb KugwU ZĒyeavb Ki t̄Q tm̄^u w̄j i Pw̄³, Pev̄š- wWRvBb/bKkv Ges c⁰ w̄j Z e`t̄q̄i K̄w̄cmn Kv̄h̄[Ⓜ] t̄ki K̄w̄c BDw̄bqb cwi I` w̄-g m̄cvi w̄f̄kb KugwU[Ⓜ]K mieivn Ki te|

I qW ⁹ KigU ⁱ mfv ^c WZ I m`m ^ˆ i ˆv [¶] i			
mfv ^c WZ	bvg :	ˆv [¶] i :	Zwi L :
m`m ^ˆ	bvg :	ˆv [¶] i :	Zwi L :
	bvg :	ˆv [¶] i :	Zwi L :
	bvg :	ˆv [¶] i :	Zwi L :
	bvg :	ˆv [¶] i :	Zwi L :
	bvg :	ˆv [¶] i :	Zwi L :
	bvg :	ˆv [¶] i :	Zwi L :
w`g m ^c vi wFkb KigU ⁰ i mfv ^c WZ I m`m ^ˆ i bvg I ˆv [¶] i			
mfv ^c WZ	bvg :	ˆv [¶] i :	Zwi L :
m`m ^ˆ	bvg :	ˆv [¶] i :	Zwi L :
	bvg :	ˆv [¶] i :	Zwi L :
	bvg :	ˆv [¶] i :	Zwi L :
	bvg :	ˆv [¶] i :	Zwi L :
	bvg :	ˆv [¶] i :	Zwi L :
	bvg :	ˆv [¶] i :	Zwi L :

8.4. Avcw^E ev Awf[†]hvM w[®]úw^E e^e-v

cKí evQvB, cwi Kí bv I ev⁻evqb, μq, cwi tek I migw^RK w[†] Rbv ms^μvš-Awf[†]hvM I Avcw^Emg[†] Ges Acivci th tKv[†]bv D[™]Z w^{el}q mgv[†]bi Rb^ˆ w⁰Zxq Gj w^RGmic⁰i Avl Zvq Avcw^E/ Awf[†]hvM w[®]úw^EKiY c×w^Z c⁰Zôv Kiv nte|

Avcw^E/Awf[†]hv[†]Mi ms^Áv :

- Avcw^E/Awf[†]hvM (wj wLZ, tgšwLk ev Btj ±[†]bK) ntj v cK[†]i i Kv[†]g A_{ev} BD[†]bqb cwi l[†]i c⁰Zw^va, cKí ms^uké- Kg^RZ[†]/Kg^Pvix, w[†]klÁ, Ask^xvi Ges w^Kv^ˆvi mn hviv mi v^mwi cKí Kv[†]R mⁿvqZv Ki[†]Q A_{ev} Gi ev⁻evqb Kv[†]Ri m[†]_ms^uké-Z[†] i Kv[†]g Awf[†]hvM^Kvi xi w[†]kg[†]Z AvB^vb[†]hvq^x m^wK bq|

- AwfthvMKvix/MY e'w³MZfvte msNeä ev ¶wZMÖ -bv nqI GKRB bvMwi K wntmte KZ¶¶i bRti AvbtZ cvtib|
- mKj aitbi AwfthvMi ¶¶i Gj wRGmic:2 KZ¶¶i cÜB ¶Kvi I cÜqvRbxq e'e~v MÖY Kiteb|

AvciE/AwfthvM wöüwEi bxwZgvj v:

- AwfthvM `wLij i c×wZ: wj wLZ, tUwj tcvb, B-tgBj A_ev cKti i I tqemvBtUi gva'tg AwfthvM `vtqi Kiv hvte| tKvfv e'w³ ev RbtMvöx mivmwi ev cÜZövtbi gva'tg AwfthvM DÌ vcb KitZ cviteb|
- AwfthvM `wLij i c×wZ mæutK[®]Rb AewZKiY: wZxq Gj wRGmicÖi I tqemvBU, BDwbq cwi I` i Acvtikb g'vbgvj, tetikqvi, BDwbq cwi I` tbnwK tewW[®]I thLvfb RbmgyMg tewk nq tm `vtb Ges BDwbq cwi I` I lqvW[®]ch¶¶i mfvi gva'tg AewZ Kiv hvte|
- wbit¶¶Zv: tRjv ch¶¶q Dccwi Pvj K `vbxq mi Kvi AwfthvM wöüwE e'e~vi cÜvb nteb Ges AwfthvM wöüwE e'e~vq mvaviti cÜekwaKvi I wbit¶¶Zv wvöZ Kiteb| wZwb BDwbq cwi I` GKwJ `vaxb AwfthvM wöüwE KiY KwguU MVtb mnvqZv Kiteb| G KwguU wZb m`m` tewkó nte| mgv¶Ri mæwZ Ges wbit¶¶ e'w³eM[®]G KwguU m`m` nteb, thgb- `¶j i cÜvb w¶¶K, Aemi cÜB wePvi cwZ, Aemi cÜB mi Kwvi KgRZ[®], AvBwb mnvqZv cÜvbKvix cÜZövb ev GbwRI |
- `wqZkxj Zv: AwfthvM wöüwE KiY KZ¶¶i AwfthvM cÜBi `ß mßvti gta` Gi cÜB ¶Kvi Kiteb| BDwbq cwi I` AwfthvM wöüwE KiY KwguU tK AwfthvMi cÜvYw` msMö I ci¶¶v-wbix¶¶i Rb` 30 Kv¶¶ em chS-mgq cÜvb KitZ cvti | mvavi Yfvte 60 Kv¶¶ etmi gta` AwfthvM wöüwE KitZ nte|
- Z_` cKvk I `^QZv: tRjv mnvq¶Ki mnvqZvq Dccwi Pvj K `vbxq mi Kvi Ges BDwbq cwi I` mKj AwfthvMi bw_, djvdj Ges AwfthvM wöüwEi cÜµqv Ges mgq mæutK[®]we`wii Z Z_` msi ¶¶Y Kiteb| cKti i I tqemvBtUi eQti `ß evi G msµvS-Z_`w` i msi¶¶Bmvi cÜkß Kiv nte|
- bvg cKvk bv Kiv I tMvcbxqZv: AwfthvM `wLj Kvix bvMwi K hw` bvg bv cKvk KitZ Ab¶iva Kti Zvtj I tqemvBU I wgwWqvi gva'tg Zvt`i bvg Rbmgt¶¶ cKvk Kiv nte bv| AwfthvM wöüwE Kjv xb mgtq tMvcbxqZv i ¶¶v Kiv nte|
- bgbxqZv: cKti ev `evqbKvj xb mgtq cÜB wKlb Ges AwfÁZvi gva'tg th c×wZ Ges cÜµqv D[™]Z nte ZvtK MÖY Kivi ¶¶i AwfthvM wöüwE KiY e'e~v bgbxq `vKte|

**G AwfthvM wöüwE KiY e'e~v tKvfv msNeä e'w³¶K Av`vj tZ hvI qvi AwaKvi t_¶K wei Z ivLtZ cvite bv|*

AvcwĒ/AwfþhvM wb®úwĒKiY cĉµqv:

- Dccwi Pvj K ṽvxq mi Kvi tRjv chĉq AvcwĒ/AwfþhvM wb®úwĒ e'e-ṽi cĉvb nteb| Zvi Awctm GKwU ŪGj wRGmwc:2 AwfþhvM ev. Ū i vLv nte Ges tRjv mnvqþKi mnvqZvq Dccwi Pvj K ṽvxq mi Kvi mKj AwfþhvMi e'e-ṽcbv wbōZ Ki teb|
- Dccwi Pvj K ṽvxq mi Kvi cĉZ`K gvþm ŪGj wRGmwc:2 AwfþhvM ev. Ū Lj teb Ges AwfþhvMmgn msuké-BDwbqb cwi l`i AwfþhvM wb®úwĒKiY KvgwUj wbKU tcĉY Ki teb| BDwbqb cwi l`i AwfþhvM wb®úwĒKiY KvgwU mi vmi tKvþv AwfþhvM MōY Ki te bv| AwfþhvMmgn WvKþhvM, B-tgBj A_ev d'v. i gva'tg A_ev Dccwi Pvj K ṽvxq mi Kvi i Awctm i wĉZ ŪGj wRGmwc:2 AwfþhvM ev. Ū eivei tcĉY Ki tZ nte|
- hw` AwfþhvMmgn wc, ssc A_ev BDwbqb cwi l`i wei'tx nq Zvntj Dccwi Pvj K ṽvxq mi Kvi tm,tjv gvmK wfvĒtZ msuké-AwfþhvM wb®úwĒKiY KvgwUj wbKU tcĉY Ki te| AwfþhvM wb®úwĒKiY KvgwU AwfþhvMmgn wb®úwĒi Rb` cĉZ`K gvþm GKei ṽvĉK wĉij Z nteb Ges Gi wvšmgn meſšZ nte nte| AwfþhvM wb®úwĒKiY KvgwU AwfþhvMmgn ni wel'tq mfvq Avtj vPbv Ki te| Ges AwfþhvMmgn RwoZ cĉĉtqi gta` Avtvtki gva'tg wb®úwĒ Kivi tPōv Ki te| hw` AwfþhvM wb®úwĒKiY KvgwU GtZ e`nq Zvntj AwfþhvMmgn i bwb i weei Ymn Dccwi Pvj K ṽvxq mi Kvi eivei tcĉY Ki te|
- Dccwi Pvj K ṽvxq mi Kvi cĉZ Qq gvm Ašĉ AwfþhvM wb®úwĒKiY msµvš-bw_cĉ chĉj vPbv Ki teb Ges AgxgvsmZ AwfþhvMmgn wb®úwĒ Ki teb| hw` wZwb tKvþv AwfþhvM wb®úwĒ Ki tZ mg_`bv nb tmĉĉĉĉ D³ AwfþhvM RvZxq cĉKĉ cwi Pvj K Ges Dc-cĉKĉ cwi Pvj K (gvV e'e-ṽcbv) I Ab`vb` msuké-`Bimgþn tcĉY Ki teb|
- MpxZ Ges wb®úbemKj AwfþhvMmgn wōZxq Gj wRGmwcōi l`tqemvBtUi gva'tg cĉKvK Kiv nte| GmKj AwfþhvM Dccwi Pvj K ṽvxq mi Kvi KZĉ msKwĉ Z Ki teb Ges Qq gvm Ašĉ RvZxq cĉKĉ cwi Pvj tKi wbKU chĉj vPbv Ges l`tqemvBtU cĉKvK Kivi Rb` tcĉY Ki teb| hw` cĉqvRb nq, G Z_`w` dtj vAvĉi Rb` wōZxq Gj wRGmwcōi GgAvBGm-G msi ĉĉY Kiv nte|
- AwfþhvMmgn i bwb i th tKvþv chĉq msNeä e`w³/e`w³eĉMĉ mĉ_ MpxZ wvš-BDwbqb cwi l`i Rb` eva`Zvgj K nte|

8.5. cĉZte`b cĉZ I bw_fy³KiY

- BDwbqb cwi l` ĉgvmK wfvĒtZ Dccwi Pvj K ṽvxq mi Kvi i wbKU AvcwĒ/AwfþhvM wb®úwĒKiY KvgwUj i bwb i wvššĉ wel'tq cĉZte`b tcĉY Ki te|

- tRjv mnvqtki mnvqZvq BDwbqbw cwi l` i AvciE/AwfthvM wb®úwEKiY KugwJ Ges Dccwi Pvj K`vbxq mi Kvi AvciE/AwfthvMi i`bw b I AwfthvMKvixi c`q A_ev wec`q m×vš-Mb`Yi Kvi Ymgñ msi qY Ki`te|
- Dccwi Pvj K`vbxq mi Kvi Ges BDwbqbw cwi l` mKj wb®úwæ I Awb®úwæ AvciE/AwfthvMi Z`mgñ mi Kvi, AwWUi I Dbqbw Askx`vi` i ch`j vPbvi mjeavi Rb` w`g dvB`j msi qY Ki`teb/Ki`te|

8.6. w`g ev`evqB, ev`evqb, ZËyeavb I cwi ex`qY c`muv
w`g ev`eqtbi c``q|c

c``q c	fugKv MhYKvi x	D`i k`
w`g ev`evqb c`wZ mfv	I qW®KugwJ	• I qW®KugwJ Ges Dckvi`fvMxi m`½ w`g ev`evqtbi Rb` c`i w`K Av`j vPbv I `vqZjeE`b Kiv
w`g w`fW`EK Kg® cwi Kí bv c`vqb	I qW®KugwJ / w`g mjcvi w`fkb KugwJ	• w`g w`fW`EK Kg®cwi Kí bv c`vqb Kiv thLv`tb gvm Ab`hvqx Kiv`p`g D`j E`_vK`te (bgbv dig-1)
mq msvš-Pv³ m`úv`b	`i c` gj`vqb KugwJ	• tU`vi ev`mq msvš-c`muv, `i c` gj`vqb Ges BDwbqbw cwi l``tk Pv³ Ki`Z Ges AwM`g A`®MhY Ki`Z mnvqZv Kiv
Kwi Mwi Ges`vbxq ch`e`qY	I qW®KugwJ w`g mjcvi w`fkb KugwJ	• Kv`Ri gvb w`v`DZ Kiv • w`g ev`evqtbi mgq c`qvRbxq Kwi Mwi mnvqZv w`v`DZ Kiv
cvl bv cwi`tkv`tai c`Z`qbc`I	w`g mjcvi w`fkb KugwJ	• w`g ev`evqb tk`I wej cwi`tkv`tai Rb` c`Z`qbc`I t` I qv
cwi Pvj bv Ges i`qYv`te`qY	I qW®KugwJ w`g mjcvi w`fkb KugwJ RbMY	• cieZ`pav`c AwRZ AeKvW`v`g I tmevmgñ m`wKfv`te cwi Pvj bv Ges i`qYv`te`qYi D``vM tbi qv
c`Z`te`b`Zwi	I qW®KugwJ w`g mjcvi w`fkb KugwJ	• mi vmi DcKvi`fvMx`i`i w`b`q I qW® KugwJ c`Z g`v`m w`g ev`evqb AM`MhZ msvš-gvmK AM`MhZi c`Z`te`b`Zwi Ki`teb (tUwej -2) • w`g ev`evqb tk`I w`g ev`evqb msvš-c`Z`te`b`Zwi Ki`teb bgbv dig-2)

GQrovI

- BDwbq b cwiI` ^TgwmK mfvi AvtqvRb Ki te Ges tmLv tb w`g ev`evqt bi AMMwZ Dc`vc b Ki te|
- GKBFv te I qvW[®]ch[®]q Ivb[®]wmK mf v n te Ges w`g ev`evqt bi AMMwZ RbMYtK Rvbv tZ n te| G mfvi Kv h[®]ei Yx Ivb[®]wmK c[®]Z te` t b msh[®] Ki tZ n te|

8.7. w`g ev`evqb e`e`vc b v

w[®]Zxq Gj wRGmwc[®]i c[®]Ki vaxb w`g ev`evqb Kivi Rb` GKwJ BDwbq t bi c[®]ZwJ I qv[®]W[®] GKwJ K[®]i I qvW[®]Kw[®]J (WC) Ges w`g Z[®]E[®]yeavb Kw[®]J (SSC) bvtg` BwJ Kw[®]J _vK[®]te| I qvW[®]ch[®]q, c[®]K[®]v[®]k` mf vq mK[®]t[®]j i AskM[®]h[®]t[®]Y I qvW[®]Kw[®]J (WC) Ges w`g Z[®]E[®]yeavb Kw[®]J (SSC) Mv b Kiv n te| I qv[®]W[®] Rbmvavi Y`^QZvi w[®]fv[®]E[®]t[®]Z Kw[®]J i m`m[®]t[®] i g[®]t[®]bv[®]x[®]Z Ki te b| GKB e[®]w[®] GKB mvt[®] w`g Z[®]E[®]yeavb Kw[®]J Ges I qvW[®] Kw[®]J-i m`m[®] n tZ cv i te b bv| ÷ w[®]E[®]s Kw[®]J _w[®]j I w`g ev`evqt b mnvqZv c[®]lv b Ki te|

w`g w[®]fv[®]E[®]K Kg[®]cwi K[®]i bvi QK (dig-1)

I qvW[®]bs w`g w[®]kt[®]ivbv g|

w`g ev`evqb mgqK[®]j t[®] t[®]K|

w`g ev`evqb c[®]x[®]w[®]Z : I qvW[®]Kw[®]J[®]i gva[®] t[®]g/tU[®]E[®]v[®]t[®]i i gva[®] t[®]g

µg	Kv h [®] µg	1g gvm	2q gvm	3q gvm	4_ gvm	5g gvm	w [®] qZ [®] c [®] ß e [®] w [®] ³
1							
2							
6							
7							

I qvW[®]Kw[®]J[®]i mf v[®]cw[®]Zi bvg I`[®] t[®]ji

- o th tKvfbv ai tbi `tY t_tK `vbxq cwb mieivn e`e`v wbi v c` ivLvi Rb` RbMYtK mZK`_vKtZ civgk` te|
- o e, t i v c Y, cwb `tY w b q s Y Ges Kw l R w g i D r c v ` b t l g Z v i t l v K i v B Z ` w ` i g v a ` t g c w i t e k D b q t b i c o v m P v j v t e |

mvgwRK mj t l v i R b ` B D u b q b c w i l ` w b g e w Y Z e ` e ` v M o Y K i t e :

- o `w i ` a R b M Y Z v t ` i R w g, e w o Ges A b ` v b ` K g m s ` t b i D c K i Y n v i v q G g b t K v t b v w ` g e v c k i ` e v ` e v q b t _ t K w e i Z _ v K t e |
- o m i K w i L v m R w g t _ t K e w o N i D t ` Q ` h v t Z b v K i t Z n q A _ e v b ` b Z g c h t q i v L v i e ` e ` v w b t e |
- o e ` e m v e w Y t R ` i R b ` e ` e u Z ` t b i m v g t b i L w j R v q M v w e b o K i v c w i n v i K i t e |
- o a g t q ` v b m g n t h g b, D c r m b v j q, K i e ` v b, k k v b, m v g w R K H w Z n w m K f v t e , i ` Z c Y ` e b ` v c b v B Z ` w ` t l w Z M O - K i v t _ t K w e i Z _ v K t e |
- o m e m v a v i t Y i e ` e n v h ` m ` u w E t h g b, e b - f w g, b ` x w e j n v l i B Z ` w ` , h v g v b j Z v t ` i R x e b R w e K v i R b ` e ` e n v i K t i, h v t l w Z M O - n t j g v b t l i g t g ` A v N v Z j v t M Z v e ` e n v i t _ t K w e i Z _ v K t e |

cwi tekMZ ch t j v P b v Ges e v ` e v q b

K`vUvMwi	cwi tekMZ ai b ev K`vUvMwi i weei Y	th me c` t t l c M o Y K i v n t e
M+	A w Z m v g v b ` c w i t e k M Z c f v e i t q t Q G G m e w ` g	cwi tekMZ e`e`v c b v i w b i t L A v i t K v t b v c w i t e k w e l q K w e t k t Y e v c ` t t l c G m e w ` t g c o q v R b n t e b v
M	` f g v l v i c w i t e k M Z c f v e i t q t Q G G m e w ` g	cwi tekMZ c f v e c y l t q t b l q v i R b ` c k t i i M V b K v v t g v i g t a ` w b i m b g j K m v a v i Y c ` t t l c m g n A s f ` K i v D w P Z
L	eo ai t b i Ges A w a K Z i R w j c f v e i t q t Q G G m e w ` g	G m e w ` t g i R b ` G K w U m w g Z c w i t e k M Z c h t j v P b v i (G j B G) c o w Z m n w ` t g i M V b K v v t g v i g t a ` t b w Z e v P K c f v e w b i m t b m y c w i k K Z c ` t t l c , t j v t K A s f ` K i v i c o q v R b n t e
K	G m e w ` g h v t ` i m ` e t e c f v e D t j t h v M ` g v l v i c w i t e k S u K i m v t _ m ` u w K Z	G a i t b i w ` g G j w R G m i c : 2 - G i A v l Z v q Z n w e j c v l q v i t h v M ` b q

w`dgi ¶WZKi c`fve wbi m`bi Rb` Ki Yxq c`¶¶c

- I qW`ch¶¶q c`weZ w`g,tj vi m`te` cwi tekMZ Ges mvgwRK c`fve I c`Zwµqv m`utK`gZwibgq Kiv|
- thme w`dgi Rb` e`w³ gwj Kvbvaxb fwg e`envti i c`qvRb nte tmme ¶¶¶¶ Rvigi m`te` `vZv Ges w`tµZv¶K w`¶yZ Kiv|
- ev`evq¶bi Rb` wbe¶PZ w`g,tj vi ¶¶¶¶, mi Kwii ev e`w³ gwj Kvbvaxb th ai¶bi B tvvK bv tKb, AwZwi³ tKv¶bv fvgi c`qvRb ntj, tm¶¶¶¶ `vbxq RbM¶Yi mv¶_ Avi I tewk m`bw`¶ c`ivgtk¶ c`qvRb nte|
- I qW`KvµUmg¶ ms¶k`e`w³¶ i mv¶_ wbtq I qW`ch¶¶q w`g,tj vi cwi tekMZ I mvgwRK c`fve m`utK`Z hvPvB evQvB¶qi KvRwU Ki te|
- mi Kwii fvg t`¶K D¶`Q` nI qvi Ges c`weZ w`g,tj v¶Z Rvigi c`vb Kivi m`tebv hv¶` i i¶qtQ Zv¶` i¶K mv¶_ wbtq Gme dj vdj hvPvB Ki¶Z nte|
- hvPvB evQvB¶qi Rb` I qW`KvµU,tj v w`g mpcv¶wfk b KvµU¶i Kwii Mwi mrvqZv PvB¶Z cv¶i |
- Gme w`g mpcv¶wfk b KvµU¶Z Dc¶Rj v ch¶¶qi mi Kwii tckvRix¶` i m`m`c`_vK¶Z nte|
- Gj BG¶i Rb` wba¶¶i Z dig ciY Ki¶Z nte Ges `vbxq mi Kvi w`fv¶Mi cwi tek I mvgwRK mj ¶¶¶ w`l qK c`ivgk¶ G digwU ch¶¶j vPbv Ki te b|
- `vbxq mi Kvi w`fv¶Mi cwi tek I mvgwRK mj ¶¶¶ w`l qK c`ivgk¶ GKwU evrmwi K ch¶¶j vPbv m`ub¶¶Ki te b| mKj Gj BG m`utK`ch¶¶j vPbv Ges ``ePq¶bi w`fW¶Z msMpxZ 10% bgbv w`dgi hvPvB evQvB, w`dgi ev`evqb Ges mgw¶B c`Zte` b,tj vi cix¶¶v wbi x¶¶v G ch¶¶j vPbv¶i A¶¶¶_vKte|
- AwWU¶i v ms¶k`e`me `wjj c¶ ch¶¶j vPbv Ki te b Ges mj ¶¶¶¶ K c`¶¶¶cmg¶ni h_v_Zv hvPvB¶qi Rb` tgvU w`dgi 10% cwi `k¶ Ki te b|
- gnw¶mve w`bq¶¶ I wbi x¶¶K (wG¶GwR) Gi Kv¶¶¶ q Ges Zv¶` i ms¶k`e`wUg 10% BDw¶qb cwi I¶` i w`dgi wbi x¶¶v Ki te|

dig 1 G : cwi tekMZ I mvgwRK c`fve hvPvB
 c`ZwU fvg-w`fW¶EK c¶¶¶i Rb` I qW`KvµU Aek`B G dig ciY Ki te Ges w`g mpcv¶wfk b KvµU Zv ch¶¶j vPbv Ki te Ges c¶¶¶i dvB¶j ivLte| [fvg-w`fW¶EK c¶¶¶i n¶`Q hv tKv¶bv fvgi I ci ev`evqb Kiv n¶qtQ] thgb : moK, Kvj fvU`tmZ, tLv¶v I f¶¶¶`b`¶v, feb, Uq¶j U, bj Ke BZ`w`]

hvpvbtqi Zwi L:

BDwbqfbi bvg: I qvW^{bs} :

†Rj vi bvg : Dc†Rj vi bvg :

I qvW^qKvWU i †Pqvi g'v†bi bvg :

hvpvBKv†j AskMhYKvi x I qvW^q KvWU m`m`†`i bvg :

.....

.....

hvpvBKv†j AskMhYKvi x Rb†Mvôxi Ab` m`m`†`i bvg :

.....

.....

hvpvBKv†j AskMhYKvi x w`g mpcvi wfk b KvWU m`m`†`i bvg, (hiv` _v†K)

.....

.....

Ask K : mavi Y Z`_`

1| w`†gi bvg/`vb :

2| w`†gi m†j :

3| w`g th Gj vKvq (I qvW^{ev} I qv†W^p Ask) †mLvbKvi ewm>`viv n†`Q :

□ mK†j B gj avi vi †j vK ev A-b_r-Rb†Mvôx

□ mK†j B b_r-Rb†Mvôx

□ AwaKvsk gj avi vi ev Ab_r-Rb†Mvôx

□ AwaKvsk b_r- Rb†Mvôx

3| w`†gi Avl Zv : □ bZb wlog^q □ Dbq b □ tgi vG/ms`vi

4| †fSZ Kv†Ri msv†jB weei Y :

.....

Ask L : cwi †ekMZ weiq

cwi †ekMZ Ae`v

1| „i“ZcY^ccôKwZK Avevm`†j i Af`š†i †Kv†bv`Lj N†U†Q wK bv

□ niiv □ bv

2| `úkRvZi c†Ztek e`e`v †wZMô`-n†e wKbv (msv†jB AvKv†i n†j I cwi †ek e`e`vi

GKwU e`vL`v-w†k†Y BDwbq b cwi I†`i Rb` mnvqK we†ewPZ n†e)

□ niiv □ bv

3| Ryj wbi Rb` Kv†Vi e`envi n†e wKbv

□ niiv □ bv

4| tc†U†j wfv†EK Ryj wbi e`envi n†e wKbv

□ niiv □ bv

- 5| KxUvbkḗKi e'envi iḗqḗQ wKbv nüv bv
6| f-cḗöi cwmbi c'evn cwi eZḗ ev e'envi nḗe wKbv nüv bv
7| bZb ev cḗwbḡvY Kiv ḗmP ev wḗḡvkb e'e'v iḗqḗQ wKbv nüv bv
8| ḗḡšmḡg eva wḡḡḗYi cḗḡvRb iḗqḗQ wKbv nüv bv
9| j'wUḡ, ḗmciUK ev cḗḡḗḡvkb e'e'v m'áú,³ AvḗQ wKbv nüv bv
10| eR'Drci' b nḗe wKbv nüv bv
(ḗhḡb KkvBLvbv, wPwKrmv eR'BZ'w')
- 11| Ab'vb' eR'hv mvi wḗḗmḗe e'envi nḗe wKbv nüv bv AvsḗkK

gj'vqb

- 1| Dḗj ḗḗhvM' cwi ḡvY`ḗY NUvq wKbv nüv bv
2| `ḗḗYi aib (1 b'ḗḗi h'w'`_vḗK) evqy cwmb ḡwU
3| `ḗḗYi cwi ḡvY (cḗZ ḡvḗm)
4| `ḗY cḗve ḡḡvḗḗq evovi m'ḗḗevv AvḗQ wKbv nüv bv
5| eR'ḗḗjvi e'e'v iḗqḗQ wKbv nüv bv AvsḗkK
6| `ḗḗYi cwi YwZ

7| cḗZKvi ḡj K e'e'v Ges Ab'vb' wḗl q/gše'

8. cwi ḗekMZ aib (Enviornmental Category)¹ wḡ wḗ G
cḗivq ḡj'vqb cḗḡvRb wKbv nüv bv
mḗḡZ cwi ḗekMZ cḗḗj vPbvi (Gj BG) cḗḡvRb iḗqḗQ wK bv nüv bv (cḗḗḡ cḗiv
dig e'envi Ki'ḗb)

Ask M: mḡḡwRK Bmḗ

- 1| cḗwḗZ w'ḗḡi KvḗRi Rb' wḗ'ḡvb' ḗ'cbvi ḗfŠZ mḡḡvi evBḗi fḡḡi cḗḡvRb
iḗqḗQ wK bv? nüv bv
2| DEi ḡnūḗḗ nḗj , cḗḡvRbxq fḡḡi eZḡvb ḡwḡj Kvḗv nḗ'Q:
 mi Kvi/cvej K (ḗḗme fḡḡ Lvm Ges A_ev hvi ḡwḡj K nḗ'Q mi Kvi I BDwḡqb
cwi I`)
 e'w³MZ ev ḗemi Kwvi fḡḡ ḡwḡj Kvḗv
3| cḗḡvRbxq fḡḡ ḗw' mi Kwvi nq, Ges G fḡḡ eZḡvḗb ḗh KvḗR e'envi Kiv nḗ'Q
 Kwḗ (fḡḡ e'envi Kvix e'w³/cwi evḗi i msL'v:)
 evm'ḗḗbi Rb' e'eüZ (emevmKvix cwi evḗi i) ewoi msL'v:
 ewwYwR'K e'envi (e'w³ i msL'v: ḗ'vKvḗbi msL'v:

¹ GLvḗb cḗE K'vUwMwiU w'ḗḡi ms'wḗjBmḗḗi AšFḗ KiḗZ nḗe| K'vUwMwi G cḗKí'ḗjvḗZ Dḗj ḗḗhvM' cwi ḗekMZ
cḗve ḗvKḗZ cḗvi | K'vUwMwi wḗ cḗKí'ḗjvḗZ cḗZKj cwi ḗekMZ cḗve mḡḡ KiḗZ cḗḗi | Gḡov, K'vUwMwi wḡ
cḗKí'ḗjv nḗ'Q ḗhLḗb cwi ḗekMZ cḗve b'ḗZḡ, Ges ḗKvḗv cḗZKj ev K'vYḡj K cḗve ḗb|

4| c0qvRbxq fwg temiKwi gwj Kvbvaxb ntj , eZ0vfb fwg th KvitY e'envi Kiv nt"Q

Kw (fwg gwj K/ewoi msL"v:)

emerfmi Rb" e"euZ (Lvbvi/cwi evfi i msL"v:)

ewYwR"K DfI tk" e"euZ (e'emvqxi msL"v: f`vKvfb i msL"v:.....)

5| "ZywaKviwenxb e"u3/cwi evfi i msL"v hviv miKwi fwg t_tK Dt"Qt`i KvitY Ges/A_ev t`"Qvq `vb, 0¶wZc+Y j vtfi weibgtq `vb0 ev Ab" tKvfbv KvitY RweKv nvi vZ cvfi

6| G cKk wK tKvfbv RbtMv0xi RweKv AR0bi Rb" Zvt`i e"euZ tKvfbv m=ut`i e'envfi weN0Uvte niv bv

7| hw AwZwi 3 fwg c0qvRb nq, Zvntj th Dcvq Zv msM0 Kiv nte:

t`"Qvq `vb

¶wZc+Yi weibgtq `vb

Ab"vb" Dcvq (Dtj E-Ki"b)

b7-RbtMv0x m=ut`K@AwZwi 3 Z" (tmKkb M0i Zt`i AwZwi 3)

8| cwi tekMZ I mvgwRK cfw hvPvBtq AskM0YKvi x b7-RbtMv0xi m`m" I msMvb_tj vi bvg:

9| w`g Gj vKvq tKvfbv c0vMZ AwfthvM vbi mb e"e`v (wRAvi Gg) AvtQ wK bv?

niv bv

hw `vtK, G wRAvi Gg e"e`v msik0- tKvfbv m`m" cwi tekMZ I mvgwRK cfw hvPvBtq AskM0Y Kti tQ wK bv? niv bv

10| w`dgi Rb" vba¶i Z RigtZ ¶wZM0-b7-RbtMv0xi AwaKvti i aib (GKwaK c0hvR" ntZ cvfi) :

AvBbMZ (b7-RbtMv0x e"u3/cwi evfi i msL"v.....)

c0vMZ (b7-RbtMv0x e"u3/cwi evfi i msL"v.....)

miKvti i m½ BRviv Pw3 (b7-RbtMv0x cwi evfi i msL"v.....)

Ab"vb" (Dtj E-Ki"b)(b7-RbtMv0x cwi evfi i msL"v.....)

11| "Zi Abjvfi , ¶wZM0-b7-RbtMv0x cwi evi_tj vi wZbvU c0vb A_¶wZK KgKvE nt"Q :

K.

L.

M.

12| b7-RbtMv0x I msMvb_tj v hw` tKvfbv Dt0M cKvk Kti `vtK?

.....

-
-
- 13 | w`dgi mvgwRK dj vdj m`útk`b,RbtMvôxi m`m` I msMVb_s,tj vi avi Yv:
 BwZevPK
 tbwZevPK
 BwZevPKI bq, tbwZevPKI bq
- 14 | mvgwRK c`fve I D`ðtMi t`c`vctU, AwZwi³ c`fve gj`vqb mgx`v cwi Pvj bv
 Kivi c`qvrB i`qtQ wK bv? niuv bv
 hw` DËi niuv nq, Zvntj w`dgi ev`evqb wcuQtq w`tZ nte |
-

c`ZKvi x (bvg I c`we) :

`v`ji : Zwi L :

hvPvB dig ch`j vPbvi ci w`g mpcvi wFkb KugwU wbtPi Ask c`Y Ki`te
 Ask N: w`g mpcvi wFkb KugwU KZ` hvPvB

1. I qvW`KugwU G w`g hvPvB Kti`tQ:
 GKevi `Bevi wZbevi
2. GKe`ti i tewk hvPvB Kiv ntj Zvi Kvi Y:
-
3. G hvPvB di`tg c`E Z` hvPvB Kivi Rb` w`g mpcvi wFkb KugwU w`g Gj vKv
 cwi`k` Kti`tQ :
 niuv bv
4. G w`dgi miZ`Kvi A`_B RbtMvôxi AM`naKvi c`Zdij Z ntqtQ:
 niuv bv
5. G w`dgi tbwZevPK cwi`tekMZ I mvgwRK c`fve w`el qK w`g Zvij Kv Abymi Y Kiv
 ntqtQ wK? niuv bv
6. G di`tg c`E Z` miWK: niuv bv
7. G w`dgi e`vcv`i w`g mpcvi wFkb KugwUi g`se`/ch`e`Y:
-
-

di`tgi G Ask c`Y Kti`tQb (w`g mpcvi wFkb KugwU m`m` i bvg)

wbgw`wLZ w`g mpcvi wFkb KugwUi m`m` i v Z` hvPvB ch`j vPbvq AskM`Y Kti`tQb :

bvg: `v`ji I Zwi L

bvg: `v`ji I Zwi L

6. w`dgi Rb`Mvxi AMvKvi cZdij Z n`q`Q: niu bv
7. G w`dgi tbiZeiPK cwi tekMZ I mvgwRK c`ve w`lqK w`g Zvuj Kv AbmiY Kiv n`q`Q wK? niu bv

cwi tekMZ Bmj

1. hvPvB di`g w`PyZ cwi tekMZ Bmj,tjvi w`E`Z w`dgi bKkv c`q`bi t`j`i weKí we`Pbv n`q`Qj (cwi tekMZ c`ve c`g`bi c`qvRbxqZv Kug`q Avbri j`j`) wK? niu bv

hw` n`v nq, w`dgi bKkvi tKv_vq Zv m`u³, Kiv n`q`Q?

wb`P wJK w`Py w`b:

K. n`v, weKí msh` Kiv n`q`Q, tm,tjvi c`qvRb wQj

L. bv, c`qvRb_vKv m`E`j tKv`bv weKí msh` Kiv nqwb

weKí ivLvi c`qvRb_vKtj I hw` Zv h` Kiv bv n`q`_v`K, tKb Kiv nqwb?

2. hvPvB ch`q mpcwi kKZ c`ve c`g`bi e`v,tjv wK c`k`i wbg`y Pw`tZ Ašf` Kiv n`q`Q? niu bv

3. w`dgi Rb` mxgZ cwi tekMZ ch`j vPbv (Gj BG) c`qvRb n`j, ch`j vPbri Rb` Gj BG bw_c` wK `vbxq mi Kvi wefv`Mi civgk`Ki Kv`Q cvV`bv n`q`Qj? niu bv

4. w`dgi Rb` Gj BG c`qvRb_vKtj, Gj BG-tZ mpcwi kKZ c`ve jvNe e`v,tjv w`g c`q`b Ašf` Kiv n`q`Q wK? niu bv

5. Gj BG-tZ mpcwi kKZ c`ve jvNe e`v,tjv (hw`_v`K) w`g wbg`y Pw`tZ Ašf` Kiv n`q`Q wK? niu bv

6. ev`evq`bi mgq tKv`bv AcZ`wKZ cwi tekMZ mgm`v t`Lv w`tq`Qj wK? niu bv

hw` Reve n`vunq, tm,tjv wK wQj (thgb: f-c`oi cwbí MwZc_cwíeZ, bZb wbg`Z tmP e`v, eR`Drcv`b BZ`w`)?

hw` ZvB nq, Zvntj wKfv`e c`ve c`gb Kiv n`q`Qj?

hw` AcZ`wKZ c`vemgn c`gb Kiv n`q`_v`K, tm,tjv thfv`e Kiv n`q`Qj Zv wQj

(wJK w`Py w`b): m`šH RbK m`šH RbK bq

NU`Z cv`i Ggb tKv`bv AcZ`wKZ cwi tekMZ c`ve m`ú`K`Kv`bv ch`e`Y Av`Q wK?

7. G w`g wK tKv`bv cwi tekMZ m`u` RbM`Yi c`ekwaKvi q`x`k`i`q? nuv bv
8. w`dgi cwi tekMZ c`ve Ges w`dgi m`dj /K`dj m`u`K`Rb`Mv`xi m`m`i`i` gZvgZ wK? m`S`H`RbK wKQ`lv m`S`H`RbK m`S`H`RbK bq tgv`UI m`S`H`RbK bq

gJ Z Am`S`H`RbK ntj , Zv`i `w`f`w`/i w`f`u`E`Z wKQzAwZwi³ Z` w`b:

.....
 I qvW`KugwU hv`Z Gme cwi tekMZ D`t`M tgvKv`ej v Ki`Z cv`i tm e`vcv`i wK wK mpcvwi k wQj ?

9. G Bmj `tj vi e`vcv`i I qvW`KugwU`K AeMZ Kiv ntq`Qj wK? nuv bv
 mvgv`RK Bmj

1. G w`dgi we`g`vb t`f`S`Z mxgvi evB`i f`ig e`envi Kiv ntq`Q wK? nuv bv
2. hv` ntq `v`K, w`dgi Rb` e`eu`Z f`igi gwj K : mi Kvi (Lvm, Ab`vb` mi Kwi ms`v, BD`bqb cwi l`-mi Kwi f`ig) e`w`³ gwj Kvbv`xb
3. mi Kwi f`ig ntj , G f`ig wK Kv`R e`envi Kiv n`w`Qj :

-
 4. mi Kwi f`ig e`envi Kiv e`w`³ i msL`v:
5. cpe`f`b/`vbv`S`i`i` Rb` q`w`Zc`Y ev mnvqZv j vfKvi x e`w`³ i msL`v:
6. G f`ig e`w`³ gwj Kvbv`xb ntj , th Kv`R f`ig e`envi Kiv n`w`Qj :

-
 7. f`ig e`envi Kivi d`j q`w`ZM`-f`ig gwj K`i`i` msL`v:
8. e`w`³ gwj Kvbv`xb f`ig th f`v`te M`h`Y Kiv ntq`Q:
 t`^Qv `vb q`w`Zc`Y i w`bgtq `vb Ab`vb` Dcvq (D`j E`Ki`b):

.....
 9. q`w`Zc`Y i w`bgtq `vb` w`nt`m`te KZRb f`ig gwj K`K q`w`Zc`Y t` I qv ntq`Q?

-
 10. G w`g wK tKv`bv m`u` e`envi tKv`bv Rb`Mv`xi c`ekwaKvi q`x`k`i`q hv Zvi R`w`eKvi Rb` e`envi Ki`Zv? nuv bv
11. w`g I Gi m`dj m`u`K`Rb`Mv`xi gZvgZ: m`S`H`RbK wKQ`lv m`S`H`RbK m`S`H`RbK bq

b₇-Rb†Mvôx m³ú†K³AwZwi³ Z³

12. w³g ZËyeav†b AskMôYKvi x b₇-Rb†Mvôxi m`m` I msMVb₃tj vi bvg:

.....
.....

13. w³†gi Rb³ e³euZ Rv†gZ ¶wZM³-b₇-Rb†Mvôxi AwaKv†i i aib : (GKwaK c†hvR³ n†Z cv†i)

□ AvBbMZ (b₇-Rb†Mvôx e³w³/cwi ev†i i msL³v.....)

□ c†vMZ (b₇-Rb†Mvôx e³w³/cwi ev†i i msL³v.....)

□ mi Kv†i i m†½ BRvi v Pw³ (b₇-Rb†Mvôx cwi ev†i i msL³v.....)

□ Ab³v³ (D†j †Ki “b) (b₇-Rb†Mvôx cwi ev†i i msL³v.....)

14. hvPvBKv†j b₇-Rb†Mvôx I msMVb₃tj vi e³ Kiv mvgwRK D†ØM:

.....

15. w³g c†vq†b b₇-Rb†Mvôxi Gme mvgwRK D†ØM₃tj v we†ePbv n†q†Q wK?

□ niv □ bv

16. b₇-Rb†Mvôx I msMVb₃tj vi w³†gi mvgwRK m†dj m³ú†K³avi Yv:

□ BwZevPK □ tbwZevPK □ BwZevPK ev tbwZevPK †Kv†bwUB bq

17. Dc†i ewY³ mgm³v/Bmj₃tj v, hw³ †v†K, I qvW³Kv†gW†K mgvavb Ki†Z n†e:

.....
.....

G dig hviv c†Y K†i†Qb (w³g m†cvi w†fkb Kv†gW³ m`m`†`i bvg) :

wbgw†j wLZ w³g m†cvi w†fkb Kv†gW³ m`m`i v w³†gi ev³evq³ ZËyeavbKv†j Ask w†t†q†Qb:

bvg: †¶¶i I Zvwi L

bvg: †¶¶i I Zvwi L

bvg: †¶¶i I Zvwi L

bvg: †¶¶i I Zvwi L

bvg: †¶¶i I Zvwi L

bvg: †¶¶i I Zvwi L

10. cwi wkó

10.1. Standard evfRU di g (bgbv QK)

BDwci ewl R evfRU

..... BDwbq cwi l` (Gj wRuW AvBwW.....), DctRj v.....

tRj v..... A_°eQi : 201.....201...

LvtZi bvg	cieZFA_°eQti i evfRU (UrKv)			Pj wZ A_°eQti i mstkwaZ evfRU (UrKv)	ceZFA_°eQti i cKZ (UrKv)
	wbR^ [^] Znej	Ab'vb' Znej	tgvU		
1	2	3	4	5	6
cóli wK tRi :					
nvtZ bM`					
e'vstK Rgv					
tgvU cóli wK tRi :					
cóB:					
Ki Av`vq					
cwi l` KZK j vBtmY I cvingU wdm					
BRv iv e'v` cóB					
AhwSK hibe'ntbi j vBtmY wdm					
m=úE t_tK Avq					
ms`vcb KvR mi Kwi Abj vb					
`vei m=úE n`vši 1% A_°					
mi Kwi m#I Abj vb					
mi Kwi t_vK eivI					
`vbq mi Kvi cúZóvbm#I cóB					
Ab'vb' cóB					
tgvU cóB					
e`q :					
ms`vcb e`q :					
tPqvi g'vb l m`m`i m=úbx					
KgPvix KgKZ#` i teZb, fvZv					
Ki Av`vq e'v` e`q					
wcúUs Ges t` kbwi					
Wk l Zvi					
w`yr wj					
Awdm i YvteY					
Ab'vb' e`q					
Dbqbgj K e`q:					
Kul cKí					
`f` l cqtib`vkb					
iv`vwbqY l tgvigZ					
MvwbqY l tgvigZ					
wkYv KgmiP					
tmP l Lyj					
Ab'vb'					
tgvU e`q:					
mgvcbx tRi :					

Abjgv` tbi Zwi L:

Standard erRU dig (D`vniY)

BDuci ewl R erRU

mvfvi BDubqb cwi l` (Gj wRuW AvBwW.....), DcRjv : mvfvi,

tRjv: XvKv A_@eQi : 2011-2012

LvZi bvg	cieZFA_@eQti i erRU (Urkv)			Pj wZ A_@eQti i mstkwaZ erRU (Urkv)	ce@ZFA_@eQti i cKZ (Urkv)
	wbR`^Znej	Ab`vb`Znej	tgvU		
1	2	3	4	5	6
cwi wK tRi :					
nvfZ bM`	500/-		500		
e`vstK Rgv	1,48,000	50,000	1,99,000		
tgvU cwi wK tRi :			1,99,500		
cwB:					
Ki Av`vq	10,00,000		10,00,000	9,00,000	
cwi l` KZK jvBtmY l` cwi wU wdm	5,00,000		5,00,000	5,00,000	
BRvi v ere` cwB	1,50,000		1,50,000	1,50,000	
AhwSK hibe m tbi jvBtmY wdm	1,00,000		1,00,000	50,000	
m=umE t`tK Avq					
ms`vcb KvR mi Kwii Abj`vb		80,000	80,000	80,000	
`vei m=umE n`vst 1% A_@		10,00,000	10,00,000	10,00,000	
GwMctZ mi Kwii m#l` Abj`vb					
mi Kwii t`vK eivl`		25,00,000	25,00,000	25,00,000	
`vbxq mi Kwii cwZvbm#l` cwB					
Ab`vb` cwB	50,000	1,00,000	1,50,000	1,50,000	
tgvU cwB	18,00,000	36,80,000	54,80,000	47,30,000	
e`q :					
ms`vcb e`q :					
tPqvi g`vb l` m`m`i m=bx	40,000	40,000	80,000	80,000	
KgPvix KgKZ#` i teZb, fvZv	2,00,000	40,000	2,40,000	1,20,000	
Ki Av`vq ere` e`q	1,50,000		1,50,000	1,00,000	
wcUUs Ges t`-kbwi	50,000		50,000	1,00,000	
WwK l` Zvi	50,000		50,000	50,000	
w`yr`nej	30,000		30,000	40,000	
Awdm i`vYvte`vY	50,000	50,000	1,00,000	50,000	
Ab`vb` e`q	60,000		60,000	50,000	
Dbaqbgj K e`q:					
Kw l` cKf`		10,00,000	10,00,000	10,00,000	
`v` l` cqtib`vkb	10,00,000		10,00,000	10,80,000	
iv`v`bgvY l` tgi`vgZ		25,00,000	25,00,000	20,00,000	
Mn`v`bgvY l` tgi`vgZ	-	-	-	-	
wK`vY KgM`P	-	-	-	-	
tM`P l` Lvj	-	-	-	-	
Ab`vb`					
tgvU e`q:	16,30,000	36,30,000	52,60,000	46,70,000	
mgvcbx tRi :			4,19,500		

Abj`gv` tbi Zwi l`:

tPqvi g`v`v`bi `v`v`i

m`v`v`v`i `v`v`i

10.2. bgjv K'vk eB

K'vk eB

A_@Qi

..... BDwbq cwi l` , Dc†Rj v,
 †Rj v, gvm..... |
 e'vsK G'vKvD†Ui bvg Ges G'vKvD>U b†† :

c@B						cwi †kva					
Zwi L	FvDPvi bs	c@Bi weei Y	UvKvi cwi gvY		wvmt†ei LvZ	Zwi L	FvDPvi bs	c@Bi weei Y	UvKvi cwi gvY		wvmt†ei LvZ
			K'vk	e'vsK					K'vk	e'vsK	
1	2	3	4	5	6	7	8	9	10	11	12
		c@i wK w'wZ									
		†gvU						†gvU			
								mgvcbx w'wZ			
		me†gvU						me†gvU			

OK: D`vni Y

K'vk eB

A_@Qi 2011-2012, gvm : gvP©2012

mvfvi BDwbq cwi l` , Dc†Rj v/_vbw : mvfvi , †Rj v : XvKv,
 e'vsK G'vKvD†Ui bvg Ges G'vKvD>U b†† : Gj wRGmuc-Gj AvBim mvfvi BDwC, GKvD>U-365214 |

c@B						cwi †kva					
Zwi L	FvDPvi bs	c@Bi weei Y	UvKvi cwi gvY		wvmt†ei LvZ	Zwi L	FvDPvi bs	c@Bi weei Y	UvKvi cwi gvY		wvmt†ei LvZ
			K'vk	e'vsK					K'vk	e'vsK	
1	2	3	4	5	6	7	8	9	10	11	12
		c@i wK w'wZ	30,000	5,00,000							
5.3.12	wc.l 431	UvYdvi		12,50,000	mi Kwii t_vK eivl	7.3.12	H-15/7	StC†K cwi †kva	-	1,30,000	iv`v wbgfY
20.3.12	V-432	bM` e'vs†K Rgv		30,000	mi Kwii t_vK eivl	12.3.12	H-16/7	wKv' vi †K cwi †kva	-	7,70,000	iv`v wbgfY
							H-17/7	wKv' vi †K cwi †kva	-	5,00,000	iv`v wbgfY
							H-18/7	e'vsK t_†K mi Urb®	30,000		mi Kwii t_vK eivl
		†gvU	30,000	17,80,000				†gvU	30,000	13,00 000	
								mgvcbx †Ri	-	4,80,000	
		me†gvU	30,000	17,80,000				me†gvU	30,000	17,80,000	

10.3. 5 e0i tgqvw` cwi Kí bv cŸq†bi cŸqvRbxq QK (bgpv):

QK: 5 e0i tgqvw` cwi Kí bv cŸq†Y cŸqvRbxq QK

I qvW©Abhvqx AMŸaKvi wfvEK ev` evqb†hvM` w`†gi Zvwj Kv `Zwi i bgpv QK

I qvW© b††	AMŸaKvi wfvEK wbeŸPZ w`†gi bvg				
	cŸg e0i	wŸZxq e0i	ZZxq e0i	PZL`e0i	cÂg e0i
1	1. 2. 3.				
2	1. 2. 3.				
3	1. 2. 3.				
4	1. 2. 3.				
5	1. 2. 3.				
6	1. 2. 3.				
7	1. 2. 3.				
8	1. 2. 3.				
9	1. 2. 3.				
10	1. 2.				

10.3.6. GjuvRGmuc0i `qZv gj`vqb mPKmgn

`qZv gj`vqtb tqTmgn	mPKmgn	mtevP t`vi
1. cwi Kí br l evfRU	• cAewl R Dbqb cwi Kí br	4
	• 31 tg Gi gta` DctRj v ubeñx Awdmvti i KvQ Pevš- evfRU l Dbqb cwi Kí br tclY	2
	• eQi tktl Dbqb evfRtUi Zj brq cKZ Dbqb e`q (e`tqi nvi)	3
2. AwlR wel qvej (e`q, AwlR e`e`vcbv, mq Ges c0Zte`b)	• m`ut` i t`iWR÷ti c0ZKiY/c0ZwU m`u` wPwYZKiY	2
	• 31 Rj vB Gi gta` ewl R wnmve weeiYx c0Z l h_vh_`vfb tclY	2
	• gwmK e`vsk wnmve mgšq	2
	• mqbmZgvj v Abmi Y Kti 31 Rj vB-Gi gta` mq cwi Kí br c0ZKiY	2
• AwWU AvciEi w0uñEKiY	2	
3. wBR`^i vR`^ AvniY	• ce0ZPA_0ti i Zj brq eiaZ i vR`^Av` vtqi nvi	4
	• ce0ZPe0ti cwi Kwí Z wBR`^i vR`^Avtqi Zj brq cKZ i vR`^Avtqi cwi gvY	2
4. cwi exqY, chfeqY, `^QZv l Rever`wnZv	• Rbmvari tYi AeMwzi Rb` ewl R AwlR weeiYx, AwWU c0Zte`b l ewl R evfRU Rbm`qL cKvk Kiv	4
5. M0g-Av`vj tZi KvhRwii Zv	• M0g Av`vj Z AvBb 2006 Abmi tY wbcuqZfvte M0g- Av`vj Z cwi Pj br Kiv	1

me`gvU = 30

R) cĶĭ cŶqb I ev⁻evqġbi mgq BDĭc cwi tekMZ cġve, Rb⁻ġ⁻, mvgwRK cġve BZ^w w^l qġK h_v[©] i“Z_j w^l ġq wetePbv Ki ġe| Ggb tKvġbv cĶĭ MġY Kiv hvġe bv, hvi dtj cwi ġeġki ġwZ nq, RbMY⁻ vbPjZ nq, A_{ev} Zvġ i Rxeb-RxwKvi Dci t_{bw}ZevPK mvgwRK cġve tdtj |

GLvġb Dġj Ē, w_R⁻^m^áú`mn Ab^{vb} m^áú` e⁻envi Kġi BDw_{qb} chġq ev⁻evqġbi Rġb⁻ Ggb me cĶĭ M_{px}Z nġe, th_ġ ġv RbAskMġġYi w^l w^l EġZ cŶxZ BDw_{qb} cwi Iġ⁻ i c^Áew^l Ĳ A_{ev} ew^l Ĳ cwi Kĭ bvq Z_{wj} Kvġ^ġ i ġqġQ|

Gj w_{RGmġc}:2 cĶġĭ i Avl Z_{vq} te_mK e_K MġU(w^lew^lR)/ dvi di ġg^Y e_K MġU (w^lew^lR) Z_{nġe}ġj i A_{ev}[©] v_{bxq} mi Kvi (BDw_{qb} cwi I⁻) AvBb, 2009-G w_{ba}ġi Z j ġ^l cġġY I Awc^ġ v_{wq}Z_i m^áú_be_Kivi t^ġġġġ e^q Kiv hvġe| t_{Kej} thme t^ġġġġ e^wZ_ġg nġe, t_m ġv nġj v:

K) BDĭc t_{Pqvi}g^{vb}, m⁻m⁻ w_{Ksev} Kg^ġ i teZb, g_{Rġi} w_{Ksev} t_{Kvġbv} m_{ġeav} t⁻l qvi Rġb⁻ GB w^lew^lR/w^lew^lR Z_{nġe}ġj e⁻envi Kiv hvġe bv|

L) ġ^lġ^á A_ġq_{bm}n t_{Kvġbv} A_ġw_{ZK} t_{mev} th_{Lvġb} ġ^lġ^á e⁻emvq Dġ⁻ v_tM FY mi e_{ivn} Kiv nq, Avi t_mġġ Aj v_fR_bK L_vZ t_{nv}K ev bv t_{nv}K, Ggb t_{Kvġbv} t^ġġġġ GB Z_{nġe}ġj e⁻envi Kiv hvġe bv|

M) Gj w_{RGmġc}:2 Acv_ik_{bj}vj g⁻v_{bj}vj -Gi msh^ġ 3-Gi ō_tbwZevPK Z_{wj} Kvōi e_Yġ_v Ab_hv_q Ggb t_{Kvġbv} cĶĭ MġY Kiv hvġe bv, hvi t_{bw}ZevPK cwi tekMZ/mvgwRK cġve AvġQ|

N) ag_ġq c^ĶZōvġbi m_{vġ} msh^ġ t_{Kvġbv} cĶġĭ w^lew^lR/w^lew^lR Z_{nġe}ġj t_ġĶ A_ġq_b Kiv hvġe bv|

O) BDĭc-Gi w_R⁻^AeK_vW_tgv w_{bg}ġ^ġ, Av_{meve}cġ I h_šc_wiZ m_šμ_vš-t_{Kvġbv} cĶġĭ w^lew^lR/w^lew^lR Z_{nġe}ġj t_ġĶ A_ġq_b Kiv hvġe bv|

m_we_Kf_vġe, w^lew^lR/ w^lew^lRm_gn D_bq_b K_{vh}ġ_g ev⁻evq_b I i ġ^lY_vġeġ_ġYi Rb⁻ e⁻e_üZ nġe, Ges t_{Kvġbv}f_vġeB e^wġ³MZ m^áú` AR^ġ ev e^wġ³MZ j_vġ_fi Rb⁻ b_q| Gj w_{RGmġc}:2-Gi Avl Z_{vq} w^lew^lR/w^lew^lRōi Ab_ġgv⁻ b_{th}v_M e^q m_šμ_vš- GKġġ ō_BwZevPK Z_{wj} Kvō Gj w_{RGmġc}:2 Acv_ik_{bj}vj g⁻v_{bj}vj -Gi msh^ġ 5 w_nt_mġe A_šf_ġ Kiv n_ġq_ġQ|

cwi Kĭ bv K_ġġġġ

c^ĶZ⁻K BDw_{qb}ġb GKġġ cwi Kĭ bv K_ġġġġ_vK_{ġe}| BDw_{qb} cwi Iġ⁻ i GK_Rb m⁻m⁻ GB K_ġġġġġi Av_nv_qK w_nt_mġe ġ_bv_{bx}Z nġeb| GB K_ġġġġġi Ab⁻ m⁻m⁻iv nġeb: BDĭcōi Ab^{vb} m⁻m⁻, m_ġPe Ges BDw_{qb} cwi Iġ⁻ b⁻KZ Ab^{vb} `B_ġi c_ġv_b| D_bq_b cwi Kĭ bvq Aw_fÁ I⁻ ġ^l th t_{Kvġbv} e^wġ³ GB K_ġġġġġi m⁻m⁻ n_ġZ cv_iġeb|

cwi Kĭ bv cŶqġbi Rġb⁻ cwi Kĭ bv K_ġġġġ w_{bg}e_wY^ġ c_ġμ_qv Ab_ġmi Y Ki ġe:

I q_wW[©]K_ġġġġġi ġ_vġ_ġ mg_vġ_{Ri} ġ_vK_Rġ_{bi} m_{vġ} th_vM_vth_vM Ki ġe I Z_{vġ} i ġZ_vgZ MġY Ki ġe|

K) cĶĭ w_Pġ_YZ Ki ġe I cĶġĭ i K_{wi} M_{wi} w_K w_eġ_KY Ki ġe|

L) cwi Kí bvi tKŠkj wK nte Zvi QK erbvte (thgb- cwi Kí bvi Abkxj b wKfvte Kiv nte, wewfbæ:KugwUj fvgKv, Abtgv`tbi cŕµqv, WKtgbUktbi e`e`v wK nte cŕvZ)|

M) cKtí i Zwj Kv GKxfZ Kiŕe Ges Ri`wi I AMŕaKvi cŕB wclq,tjv wPwYZ Kiŕe|

civgkŕ AMŕaKvi wbaŕY cŕµqv

`vbxq miKvi (BDwqcb cwi l`) AvBb, 2009 Abtqvq BDwqcb cwi l` Zvt`i `wqZt KZE` cjt`bi Rtb` cAewl Ŕ, ewl Ŕ I mvgwqK cwi Kí bv cŕqb I ev`evqb Kiŕe, tmUvB cZ`wKZ| BDwC chŕq cwi Kí bv cŕqb cŕµqv wbtæwYŒ c×wZtZ KiŕZ nte:

K) I qwŕmfvq Dbŕŕ MY-i bmbi gva`tg `vbxq Pwv`v wPwYZ KiŕZ nte I tm,tjvi tŕZi t`tK AMŕaKvi wbaŕY KiŕZ nte| GB mfvq mgvŕRi wewfbæ:kŕbi gvbŕI i cŕZwbaŕ` i AskMŕY wbuŒZ KiŕZ nte|

L) mgqgZ BDwC Dbŕb cwi Kí bv I evŕRU cŕZ KiŕZ nte|

M) cwi Kí bv I evŕRU mgvŕRi gvbŕI i KvŕQ Dbŕŕ KiŕZ nte|

Gj wRGmŕcŕi Rtb` gvPŕGmŕcŕi gvtm hLb BDwqcb cwi l`K 3-5 eQŕi i AvbgwmbK wewŕR eivŕ m`úŕKŕAewŕZ Kiv nte, ZLb BDwC tPqvi g`vb hv hv Kiŕeb:

K) GKwU Dbŕŕ BDwC mfv WwKŕeb, thLvŕb AvbgwmbK evŕRU eivŕ m`úŕKŕmKj BDwC m`m` I mgvŕRi tjvKŕ` i AewŕZ Kiŕeb| Dcw`Z e`w`eMŕRbAskMŕY cŕµqvq Zvt`i `^`Gj vKvi Rtb` Dbŕb AMŕaKvi wbaŕY Kiŕeb|

L) BDwC tbwŕm tŕŕWŕwewŕR/wcŕwŕR eivŕI i tbwŕm cŕkŕ Kiŕeb, Ges GB Z` e`vcKfvte cŕvi Kiŕeb|

I qwŕmfv i `evŕK I qvŕWŕ mKj Dbŕb KgŕvÉ I wMZ eQŕi i BDwqcb ewl Ŕ cŕZte`b chŕj vPbv e`e`v KiŕZ nte| GB mfv wMZ %vŕKi w×vŕŕ chŕj vPbv Kiŕe| I qwŕmfv i `evŕK MpxZ tKvŕbv w×vŕŕ-ev`evqtb e`_`ntj, Zvi Rtb` msŕkŕ- I qwŕm`m` Ges BDwC tPqvi g`vb `vqex`nŕeb|

cŕZ`K BDwC m`m` msŕkŕ-gwŕj v m`m`mn GKwU I qwŕmfv `evŕKi AvŕqvRb Kiŕeb| GB mfvq mgvŕRi tjvKŕ` i Gj wRGmŕcŕ:2-Gi eivŕ I Ab`vb` eivŕ m`úŕKŕAewŕZ KiŕZ nte| Gj wRGmŕcŕ:2-Gi Aaxŕb MwZ I qwŕmfv KugwU (WwŕBw) GB mfvq mnŕthwMzv Kiŕe| GB mfv Dŕŕk` nte I qwŕmfv chŕq i AMŕaKvi ,tjvŕK wPwYZ Kiv, th,tjv Dbŕb cwi Kí bvq hŕŕ KiŕZ BDwCŕZ Dc`vcb Kiv nte| I qwŕmfv i Zwi L AvŕMB Rwbŕq t`Iqv nte, Ges mgvŕRi m`m`i Zvt`i BDwCŕi Rtb` Dbŕb Pwv`v Ztj aiŕZ Abŕiva Kiv nte| cŕg eQŕiB BDwC cAewl Ŕ cwi Kí bv `Zwi Kiŕe| cAewl Ŕ cwi Kí bvq tKvŕbv tKvŕbv cKí cŕg I cieZŕeQi ,tjvŕZ ev`ewqZ nte, tm,tjvi Dŕj E`vKŕe| wŒZxq eQi t`tK cAewl Ŕ cwi Kí bv chŕj vPbv Kiv nte, Ges mgvŕRi Rtb` AMŕaKvi wŕŕÉŕZ ewl Ŕ cwi Kí bv wbaŕY Kiv nte|

I qwŕmfv i `evŕK I qwŕmfv mŕŕZK tPŕv Kiŕe hvŕZ hZ tenk msL`K m`e I qvŕWŕ bvMwi Kŕ` i gZvgZ tKvŕbw hvq, Ges GB msL`v I qvŕWŕ 5% tŕvUŕi i Kg nte bv| BDwC gwŕj v m`m`iv mgvŕRi gwŕj v m`m`i civgkŕtŕeb| cŕqvRŕb I qwŕmfv

AvtM tKej gvnjv`i Rtb` GKw Avjv`v mfvi AvtqvRb KiZ nte| BDwc gvnjv m`tm`i tbZtZ; AvtqmRZ GB Dbj³ mfvg mgvRi gvnjviv Zvt`i AM⁰AKviwfwEK c⁰qvRbmgn Ztj ai⁰eb|

IqvW⁰mfvi cwi Kí bv `eVKvtj cKí c⁰vebvmg⁰ni tFzi t⁰tK AM⁰AKviwfwEK I ev`evqbt⁰hM` cKí mgn wba⁰Y Kiv nte| RbAskM⁰YwfwEK GB cwi Kí bv `eVtK wbaew⁰Z ch⁰qmgn AbjnZ nte:

cwi Kí bv ch⁰q : 1

IqvW⁰mfvi c⁰wZgj K KvR :

- RbAskM⁰Ygj K cwi Kí bvi c⁰g c`⁰t⁰c wnt⁰te BDwc mfvg IqvW⁰mfv AvtqvRb Kiv I Gi mgqm⁰P wba⁰Y Kiv;
- IqvW⁰mfvi cwi Kí bv tmb AvtqvRtb mnvqZv `vtbi Rb` IqvW⁰ ch⁰qi Kvgw⁰ t⁰j vtK msMwZ Kiv|

cwi Kí bv ch⁰q : 2

c⁰wgK Z` msM⁰ :

- GjvKwfwEK I mgvRi tckwfwEK tQvU tQvU `j GjvKvi Dbqb Pwn`v t⁰jv wba⁰Y Ki⁰te|
- GjvKvi Pwn`v wbfct⁰Yi Rtb` tmv⁰vj g`wcs, Avtj vPbv mfvi BZ`w` gva`g e`eüZ nte|
- `vbxq AM⁰AKviwfwEK Pwn`v wbfct⁰Yi Rtb` RbAskM⁰Ygj K cwi Kí bv c⁰Yqb c⁰wgK Z` wj wce⁰x Kivi Rtb` QK e`envi KiZ nte|
- tQvU tQvU `tj i AM⁰AKvi t⁰j vtK GKw⁰Z Kivi Rtb` QK e`envi Kiv th⁰Z cv⁰ti, Ges IqvW⁰mfvi `eVtK GB GKxfZ Z` Dc`vcb KiZ nte|
- cwi Kí bv c⁰wgK i i` KiZ GKw WvUvteR e`envi Kiv th⁰Z cv⁰ti |

cwi Kí bv ch⁰q : 3

IqvW⁰mfvi AvtqvRb

- IqvW⁰mfv AvtqvRtbi AŞZ 7 w`b AvtM Dch⁰ gva`tg (thgb, gvBwKs Kti, tXvj ewRtq, tbwUm Sij tq, wj dtj U I `vlqvZc⁰ wZiY Kti) IqvW⁰ t⁰jvKt` i AewZ Kivi `wqZ; BDwc⁰i |
- BDwc tPqvi g`vb w⁰Z Ki⁰teb th, h⁰vh⁰fvte IqvW⁰mfv AvtqvRb Kiv nt`Q, Ges IqvW⁰m`m` IqvW⁰mfvg mfvcwZ; Ki⁰teb|
- IqvW⁰mfvg Lmov Dbqb/Kg⁰cwi Kí bv Dc`vcb Kiv nte| AskM⁰YKvi xt`i Dbj³ gZvtZi wfwEK c⁰wZ tKvtbv cKt⁰i ms⁰thvRb/cwi eZ⁰/ms⁰tkvab Kiv nte, Ges AM⁰AKvi wba⁰Y Kiv nte|

cwi Kí bv ch⁰q - 4

BDwbqb Dbqb cwi Kí bv

- IqvW⁰ch⁰qi mKj c⁰vebv GKw⁰Z Kiv nte, Ges AeKwvtgv, Kw⁰, `v`-, w⁰kv, cw⁰b I cqt⁰w⁰kb e`e`v, tLj vaj v I ms`wZ, bvi xDbqb, wki, h⁰ Dbqb, Z`

- c̄h̄y³ BZ^w t̄q̄ī Ab̄h̄vq̄x t̄m̄,t̄j̄v e^vQvB Kiv n̄t̄e| c̄wi Kí b^v K̄u^gU GB c̄ŵ^e, t̄j̄v ch̄t̄j̄ vPbv I m̄pc̄wi t̄ki R̄t̄b[”] m̄s̄k̄e ÷ “w̄Ēs K̄u^gUŴZ Dc⁻vcb Kite|
- I q̄w[©]m̄fv KZ^R ŵba[”]i Z AM̄ŵaKvi Z̄w̄j̄ Kv I m̄^ut̄[”]i c̄ŵ[”]Zvi ŵb̄wi t̄L ÷ “w̄Ēs K̄u^gU c̄ŵ^eb^v, t̄j̄vi GK̄U AM̄ŵaKvi Z̄w̄j̄ Kv c̄ŵ[”]qb Kite|
 - c̄Āewl ^R c̄wi Kí b^vq ewl ^R w̄f̄w̄Ēt̄Z c̄Kí , t̄j̄v Aš^f [”]vKt̄e; c̄ŵ^g eQ̄t̄i c̄Kí , t̄j̄vq c̄ŵ^gK e[”]q-c̄ŵ[”]j̄ b̄ t̄[”] I q̄v⁻vKt̄e|
 - c̄wi Kí b^v K̄u^gU m̄s̄k̄e ÷ “w̄Ēs K̄u^gU i m̄pc̄wi kmn GK̄w̄Z c̄Āewl ^R c̄wi Kí b^v c̄p̄i^vq ch̄t̄j̄ vPbv Kite, Ges BD̄w̄w̄m̄m̄ m̄fvq t̄m̄U D̄l⁻vcb Kite| BD̄w̄w̄m̄m̄ m̄fvq Gi Dci Av̄t̄j̄ vPbv n̄t̄e, Ges BD̄w̄c̄ŵi Kv̄Ŵ Ab̄t̄g^v t̄bi R̄t̄b[”] Dc⁻vcb Kiv n̄t̄e|
 - BD̄w̄c̄ Zv̄t̄[”] i m̄vavi Y m̄fvq c̄Āewl ^R c̄wi Kí b^v Ab̄t̄g^v b̄ Kite| c̄Kí Ab̄t̄g^v t̄bi R̄t̄b[”] BD̄w̄c̄ c̄u^{p̄}U g^vb[”]Ē w̄e^{t̄e}Pbv Kite: (1) [”]w̄i [”]w̄e^{t̄g}vP̄t̄b c̄K̄t̄i Ae[”]vb, (2) c̄Kí t̄[”]t̄K DcKvi t̄f̄vM̄xi m̄s̄L⁻v, (3) ḡun̄j̄v, ŵki I [”]y[”]t̄[”] i R̄t̄b[”] DcKvi, (4) B̄w̄ZevPK m̄ḡw̄RK I c̄wi t̄ekMZ c̄f̄ve, Ges (5) ⁻vbxq ch̄t̄q̄ K̄wi M̄wi ŵ K t̄[”]t̄K e⁻vq̄b̄t̄h̄vM̄[”]/e⁻vcb̄t̄h̄vM̄[”] ŵK b^v|
 - I q̄w[©]m̄fv i [”]eV̄t̄K m̄ḡw̄RK gZv̄ḡt̄Zi ḡva[”]t̄g c̄Āewl ^R c̄wi Kí b^vi w̄f̄w̄Ēt̄Z ewl ^R c̄wi Kí b^v c̄ŵ[”]qb KiteZ n̄t̄e|
- c̄wi Kí b^v ch̄t̄q̄ : 5
- BD̄w̄bq̄t̄bi c̄Āewl ^R D̄bq̄b c̄wi Kí b^v I ewl ^R c̄wi Kí b^v R̄b̄m̄[”]L c̄K̄v̄k
- c̄Āewl ^R D̄bq̄b c̄wi Kí b^v I ewl ^R c̄wi Kí b^v Ab̄t̄g^{w̄} Z n̄l q̄vi ci, BD̄w̄c̄ t̄b̄w̄Jm̄ t̄eW̄[©] I q̄v̄t̄W̄[©] Ab[”]vb[”] Ḡj̄ vKv I Ḡj̄ w̄RḠm̄ic̄ I t̄q̄em̄B̄t̄U Ḡ,t̄j̄v c̄K̄v̄k Kiv n̄t̄e| ḠQ̄rov, c̄wi Kí b^vi m̄dU&K̄uc̄ K̄w̄^uDUv̄t̄i m̄si [”]Y Kiv n̄t̄e h̄v̄t̄Z cieZ[”]mḡt̄q̄ GB K̄uc̄ t̄KD P̄vB̄t̄j̄ Zv̄ t̄[”] I q̄v̄ h̄v̄q|
 - I q̄w[©]ch̄t̄q̄i K̄u^gU I q̄w[©]ch̄t̄q̄ m̄fv Av̄t̄q̄vRb KiteZ c̄v̄t̄i, t̄h̄L̄v̄t̄b m̄ḡv̄t̄Ri ḡv̄b̄j̄ Ab̄t̄g^{w̄} Z c̄Āewl ^R I ewl ^R c̄wi Kí b^v m̄^ut̄[”]K[©]Aew̄Z Kiv n̄t̄e|
 - Ab̄t̄g^{w̄} Z c̄wi Kí b^v, t̄j̄vi Ab̄j̄ ŵcm̄ḡa Dc̄t̄R̄j̄v c̄wi I t̄[”] c̄v̄w̄t̄bv n̄t̄e| Dc̄t̄R̄j̄v c̄wi I t̄[”] i m̄fvq Ḡme c̄wi Kí b^v Av̄t̄j̄ w̄PZ n̄t̄e, Ges Ḡ,t̄j̄v Dc̄t̄R̄j̄v c̄Āewl ^R c̄wi Kí b^vi m̄v̄t̄⁻ GK̄x̄f̄Z n̄t̄e|

⁻ŵ⁻ Zwi L: 25.02.2012

(k̄v̄ḡx̄v̄ b̄w̄M̄f̄)

h̄M̄[”]m̄Pe (BD̄w̄c̄)

t̄dv̄b : 9514632

w̄eZi Y: c̄ŵ[”]q̄vR̄bxq̄ K̄v̄h̄t̄[”]©

1| t̄R̄j̄v c̄K̄v̄m̄K (mKj),

2| Dc̄t̄R̄j̄v ŵbe[”]fx̄ Āw̄dm̄vi (mKj), Dc̄t̄R̄j̄v....., t̄R̄j̄v

3| Dc̄t̄R̄j̄v t̄P̄q̄vi ḡ[”]vb (mKj), Dc̄t̄R̄j̄v....., t̄R̄j̄v